

Manuals+

[Q & A](#) | [Deep Search](#) | [Upload](#)

Manuals.plus /

› [zshine](#) /

› ZSHINE Motorized Blackout Window Blinds (Model ZM25-EAZ) User Manual

zshine ZM25-EAZ

ZSHINE Motorized Blackout Window Blinds (Model ZM25-EAZ) User Manual

Model: ZM25-EAZ

1. INTRODUCTION AND OVERVIEW

This manual provides essential information for the installation, operation, and maintenance of your ZSHINE Motorized Blackout Window Blinds, Model ZM25-EAZ. Please read these instructions carefully before proceeding with installation or use.

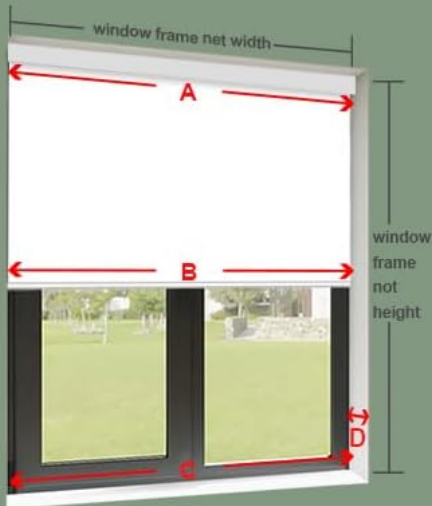
Product Features:

- **Material:** 100% Polyester fabric, offering full blackout capabilities. It is water-proof and designed for easy cleaning.
- **Durability:** Features UV protection and is crease-resistant, ensuring longevity and consistent appearance.
- **Privacy:** Provides complete privacy, suitable for various indoor environments such as bedrooms, home offices, and garages.
- **Operation:** Motorized and cordless for convenient remote control operation.
- **Rechargeable:** Equipped with a rechargeable motor, with optional solar panel charging.



Image 1.1: ZSHINE Motorized Blackout Window Blind with its remote control, showcasing the product's design and primary interface.

Tips for Size Measurement



How to measure the width

Measure at least 3 points (top, mid, bottom) of the window net width, just in case the shape is not rectangular.

Min (A,B,C) = Order Width=End-to-end width

(ATTENTION-PLEASE DO NOT REMOVE ANY SIZE IN WIDTH, THE INSTALLATION CLEARANCE WILL BE CONSIDERED BY US)

How to measure the height

Measure the net height of the window

Depth D minimum 2 1/2"



How to measure the width

Measure the window net width and consider extra 6" extension totally in width

Net width+6"= Order Width=End-to-end width

(ATTENTION-PLEASE THE WIDTH EXTENSION NEEDS TO BE CONSIDERED BY CUSTOMER)

How to measure the height

Measure the net height of the window and consider extra 8" extension totally in height

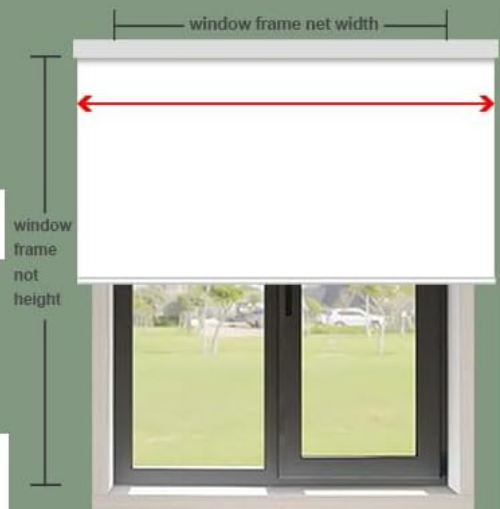


Image 1.2: Detailed view of the ZSHINE blackout fabric, illustrating its multi-layered construction for UV protection, crease resistance, and privacy.

2. SETUP AND INSTALLATION

All necessary mounting accessories and a user manual are included in the package. Ensure you have the correct tools before beginning installation.

2.1 Measuring for Installation

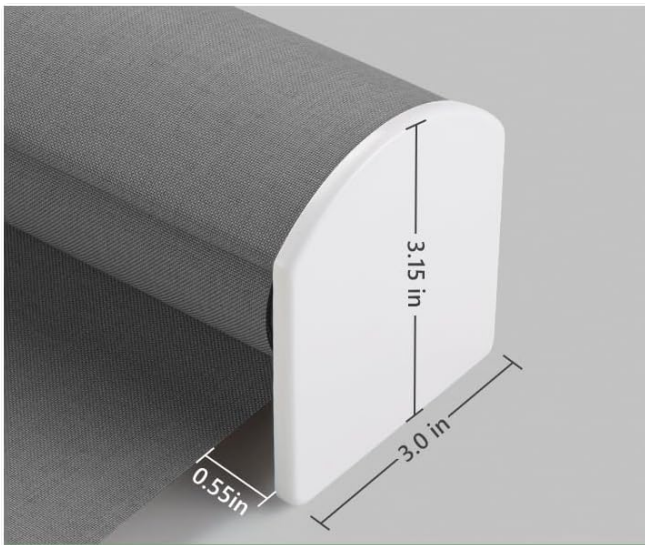
Accurate measurements are crucial for proper fit and function. Refer to the guide below for internal and external installation measurements.



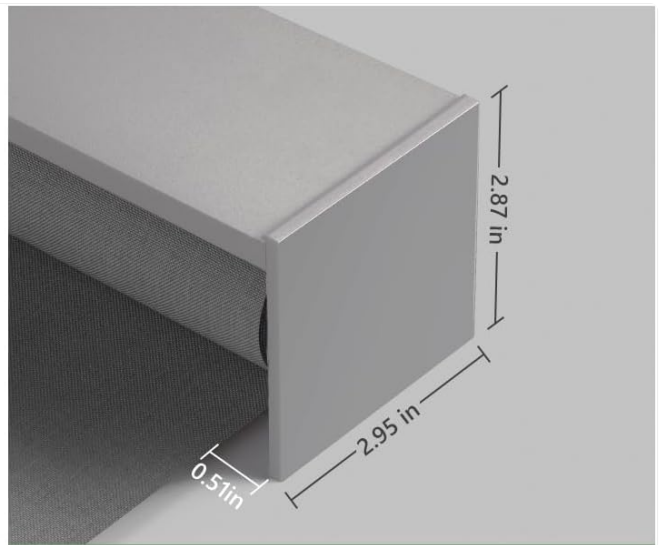
Image 2.1: Visual guide detailing how to measure window dimensions for both internal and external mounting of the blinds, including considerations for width and height extensions.

2.2 Mounting Hardware and Valance Options

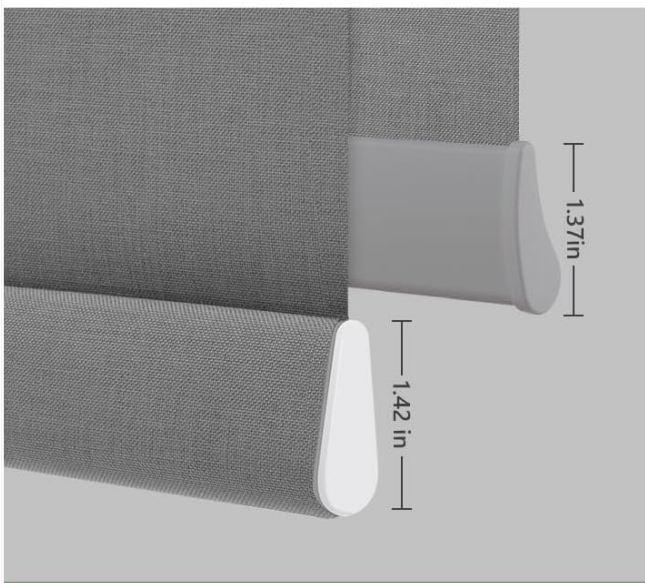
The package includes standard mounting hardware. Different valance styles are available to suit your aesthetic preferences.



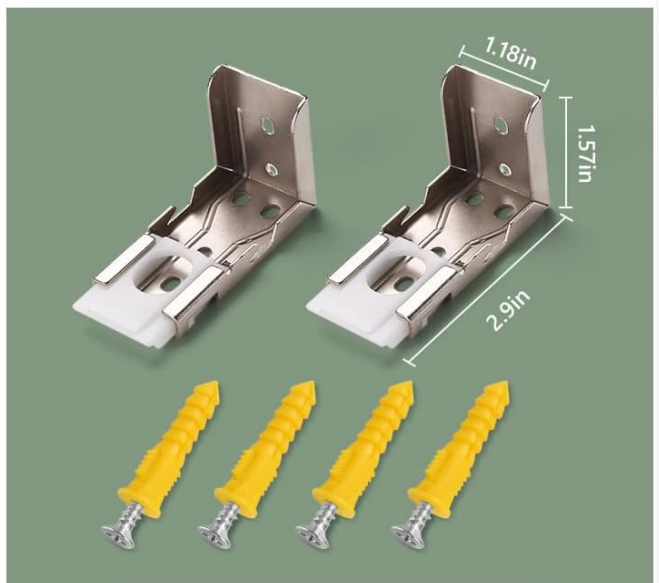
Fabric-wrapped Aluminum Alloy
Arc-shaped Valance



Grey Aluminum Alloy
Square Valance



Bottom Rod (Optional)



Accessories

Image 2.2: Illustration of different valance designs (Fabric-wrapped Aluminum Alloy Arc-shaped Valance, Grey Aluminum Alloy Square Valance) and the included mounting accessories.

2.3 Initial Charging

Before first use, ensure the blind's motor is fully charged. Charging options include a Type C cable with an adapter, a power bank, or an optional solar panel.

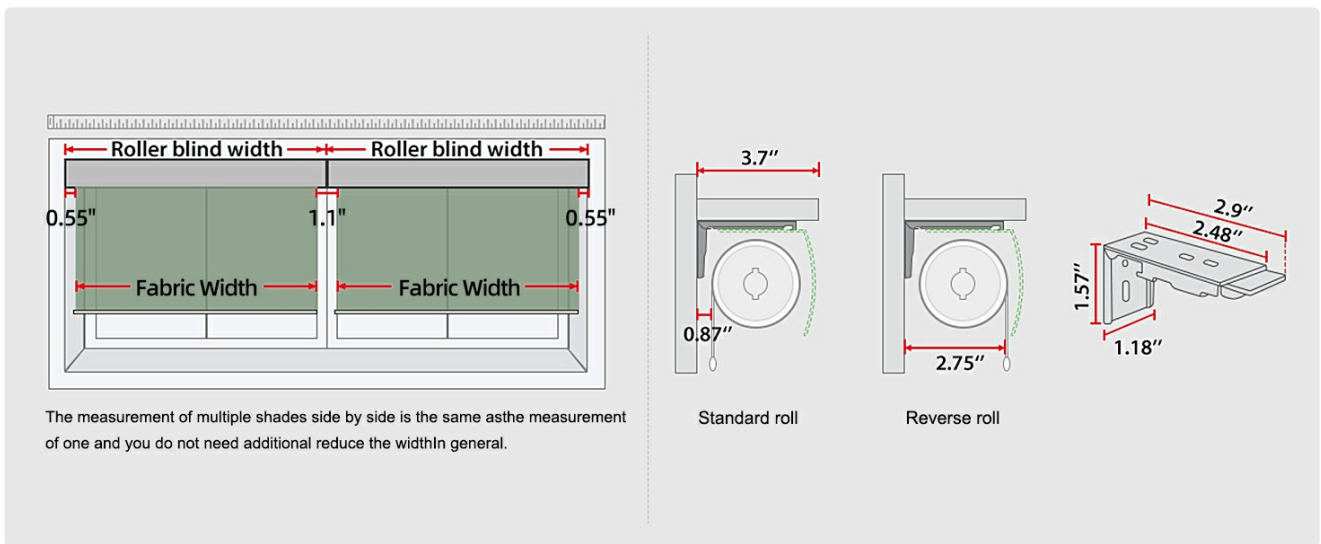


Image 2.3: Diagram showing the various charging methods for the motorized blinds, including the Type C cable with adapter, power bank, and the optional solar panel, along with charging times and battery life estimates.

3. OPERATION

Your ZSHINE motorized blinds can be operated via the included remote control or integrated with smart home systems depending on the motor type.

3.1 Remote Control

The remote control is pre-programmed at the factory. Familiarize yourself with its buttons for raising, lowering, and stopping the blinds.







Motor Code	TQL25	ZM25-EAZ (More Smarter)	AM25-Matter	ZM27-E (Strong Practicability)
 Smart Control	Bridge hub required	Directly compatible with 5 Alexa	Bridge hub required (Compatible with Homekit)	Bridge hub required
 Rolling Speed	30RPM	30RPM	30RPM	120-180RPM
 Noise Level	30-40db	30-40db	30-40db	20-30db
 Battery Capacity	500+Run	500+Run	500+Run	1200+Run
 Manual Handling when Powered Off	No	No	No	Yes
 Auto Stop with Resistance	No	No	No	Yes

Image 3.1: The sleek white remote control for ZSHINE motorized blinds, featuring channel selection and directional buttons for shade adjustment.

3.2 Smart Home Integration (ZM25-EAZ Motor)

The ZM25-EAZ motor in your blinds offers direct compatibility with specific Alexa models. For other smart home systems or Alexa versions, a Smart Bridge (Zigbee Hub) is required.

- **Direct Compatibility:** Works directly with Echo 4th Gen, Echo Plus (2nd Gen), Echo Studio (2nd Gen), Echo Show 10 (3rd Gen), and Echo Show 8.
- **Requires Smart Bridge:** For other Alexa versions or integration with Google Home, a Zigbee Hub (Smart Bridge) is necessary.



Image 3.2: A comprehensive chart detailing different ZSHINE motor types (TQL25, ZM25-EAZ, AM25-Matter, ZM27-E) and their compatibility with smart home devices and hub requirements.

4. MAINTENANCE

4.1 Cleaning Instructions

The ZSHINE blackout fabric is designed for easy maintenance. For cleaning, use a soft cloth and spot clean only. Avoid harsh chemicals or abrasive materials that could damage the fabric.

4.2 Battery Care

The motor is rechargeable. Regular charging ensures optimal performance. If using the optional solar panel, ensure it is positioned to receive adequate light for continuous charging.

5. TROUBLESHOOTING

If you encounter issues with your ZSHINE Motorized Blackout Window Blinds, refer to the following common problems and solutions:

- **Blinds not responding to remote:**

- Check if the remote control's battery needs replacement.
- Ensure the remote is pointed directly at the blind's receiver.
- Verify that the correct channel is selected on the remote if you have multiple blinds.

- **Difficulty programming multiple blinds:**

- Programming multiple blinds to a single channel or setting individual channels can be complex. Refer to the detailed programming instructions provided with your remote or contact customer support for assistance.

- **Motor not operating or battery draining quickly:**

- Ensure the motor is fully charged using the provided Type C cable and adapter.
- If using a solar panel, confirm it is installed in a location receiving sufficient light.
- If the issue persists, the battery may need replacement. Contact customer support for further diagnosis.

- **Blinds not moving smoothly:**

- Inspect the blind for any obstructions in its path.
- Check that the mounting brackets are level and securely installed.

For issues not covered here or if troubleshooting steps do not resolve the problem, please contact ZSHINE customer support.

6. SPECIFICATIONS

Brand	zshine
Model Number	ZM25-EAZ
Material	Polyester
Product Dimensions (L x W)	118"L x 95"W (for this variant)
Opacity	Blackout
Operation Mode	Automatic, Motorized
Control Type	Remote
Special Features	Blackout, Cordless, Window Treatments
Included Components	Mounting Hardware, User Manual
Recommended Uses	Indoor (Bedroom, Garage, Home Office)
UPC	765279346661

7. WARRANTY AND SUPPORT

ZSHINE is committed to customer satisfaction. While specific warranty details are not provided in this manual, our professional customer service team is available to assist you with any questions or concerns regarding your product before or after purchase.

Should you have any doubts or require support, please do not hesitate to reach out to ZSHINE customer service.