

Manuals+

[Q & A](#) | [Deep Search](#) | [Upload](#)

manuals.plus /

- › [Kaishengyuan](#) /
- › [Kaishengyuan Metal Phone Mount Instruction Manual for RAM Truck 1500/2500/3500 \(2013-2018\) & RAM 1500 Classic \(2019+\)](#)

Kaishengyuan 60965US

Kaishengyuan Metal Phone Mount Instruction Manual

MODEL: 60965US

Compatible with RAM Truck 1500/2500/3500 (2013-2018) & RAM 1500 Classic (2019+)

1. Introduction

Thank you for choosing the Kaishengyuan Metal Phone Mount. This manual provides detailed instructions for the proper installation, operation, and maintenance of your new phone mount. Please read this manual thoroughly before installation and retain it for future reference.



Image: The Kaishengyuan Metal Phone Mount securely installed on a RAM truck dashboard, holding a smartphone in portrait orientation. The phone displays a navigation map, demonstrating its practical use.

2. Safety Information

- Ensure the mount is securely installed before placing a device.
- Do not obstruct your view of the road, mirrors, or vehicle controls.
- Adjust the phone mount and your device only when the vehicle is stationary.
- Avoid over-tightening screws, which may damage your vehicle's dashboard.
- Keep small parts away from children.

3. Package Contents

Please verify that all components are present:

- Metal Multifunctional Slide Rail Base
- Stainless Steel Mounting Arm
- Universal Phone Holder
- 25mm to 17mm Ball Adapter

- Installation Screws
- Small Screwdriver
- Wrench

4. Product Overview

The Kaishengyuan Metal Phone Mount consists of three primary components designed for robust and flexible phone placement in your RAM truck.

4.1 Metal Multifunctional Slide Rail Base

Upgraded Metal Multifunctional Slide Rail

Compatible with multiple balljoint & arm

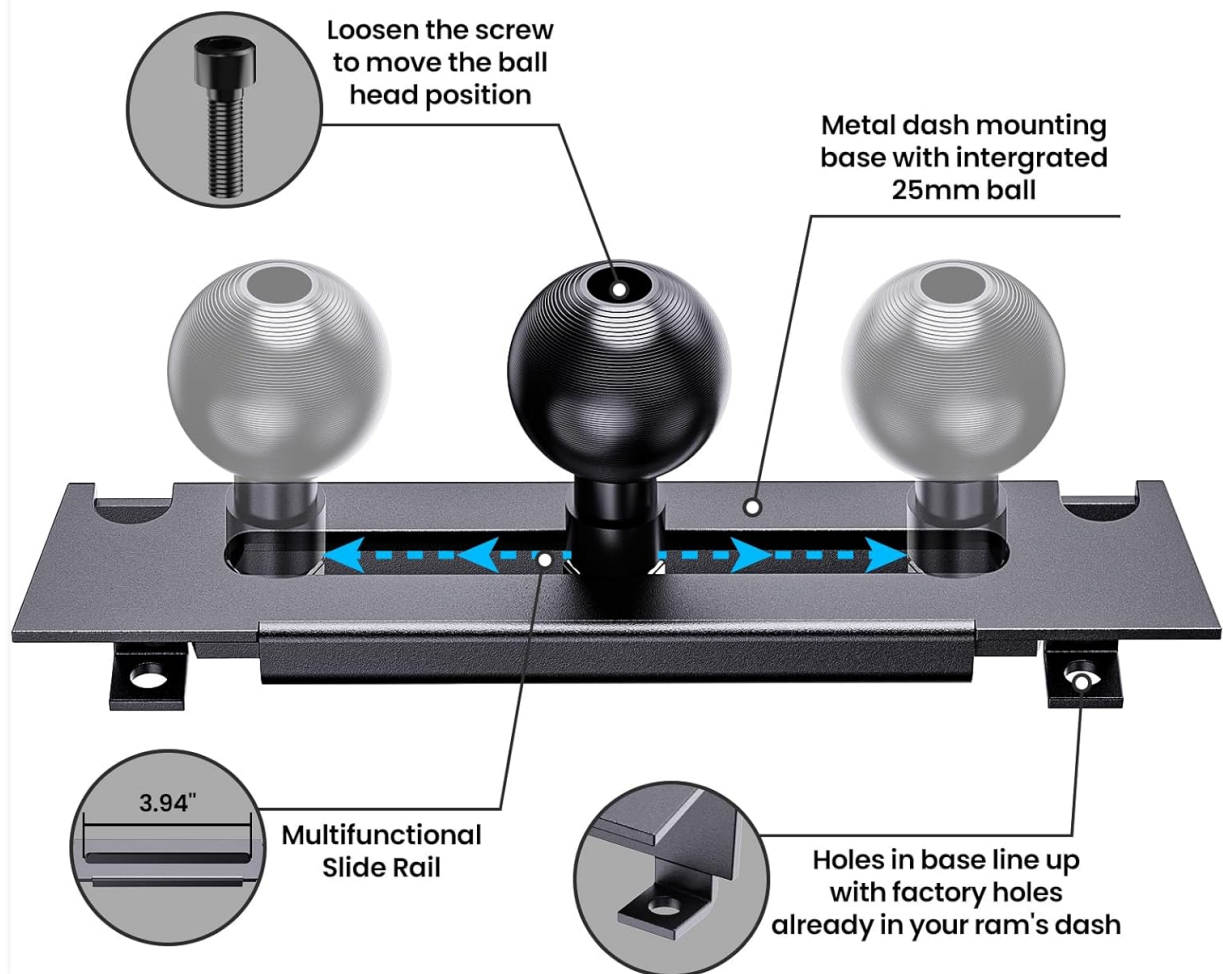


Image: A detailed view of the metal multifunctional slide rail base. It features an integrated 25mm ball and a mechanism to adjust the ball's position along the rail by loosening a screw. This allows for flexible placement on the dashboard. This aluminum alloy base provides a sturdy foundation for the mount. It features an integrated 25mm ball and a sliding mechanism, allowing you to adjust the ball's position along the rail for optimal placement. The base is designed to align with existing factory holes in your RAM's dash, ensuring a secure, no-drill installation.

4.2 Stainless Steel Mounting Arm

Stainless Steel Mounting Arm

Strong & Stable

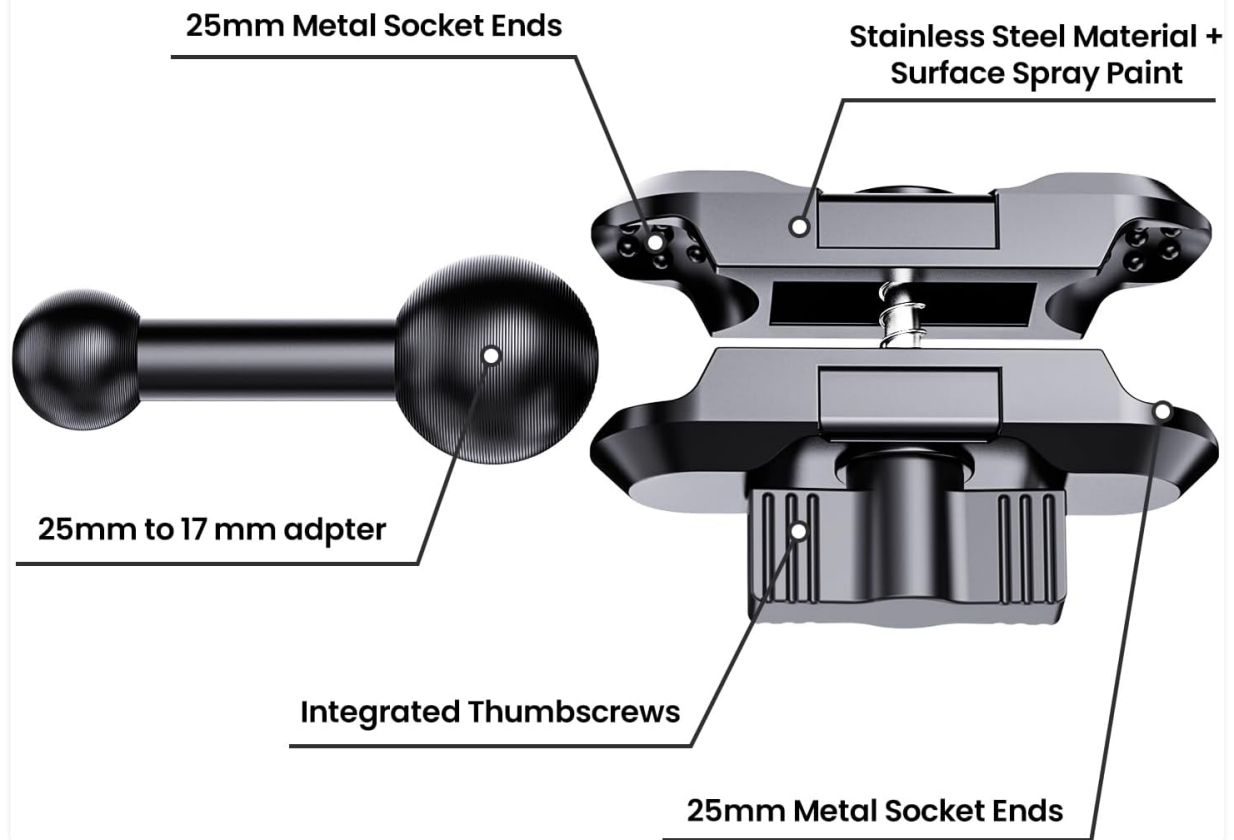


Image: An exploded view of the stainless steel mounting arm, highlighting its 25mm metal socket ends and integrated thumbscrews for secure attachment. An optional 25mm to 17mm adapter is also shown.

Constructed from stainless steel with a surface spray paint finish, this arm connects the base to the phone holder. It features 25mm metal socket ends for a strong and stable connection. Integrated thumbscrews allow for easy adjustment and tightening.

4.3 Universal Phone Holder

Universal Compatibility & One Hand Operation



Image: A visual representation of the universal phone holder, detailing its dimensions and demonstrating compatibility with smartphones ranging from 4 to 7 inches, including those with thick cases. It shows compatibility with battery cases, Otterbox, and MagSafe cases, while indicating incompatibility with Pop Clips, Wallet Cases, and certain thick cases. This holder is designed to accommodate most smartphones between 4 and 7 inches, including those with thick cases. It features quick-release buttons and adjustable clamp arms for one-handed operation, ensuring your device is held securely.

5. Installation Guide

Follow these steps to install your Kaishengyuan Metal Phone Mount:

Easy to Install

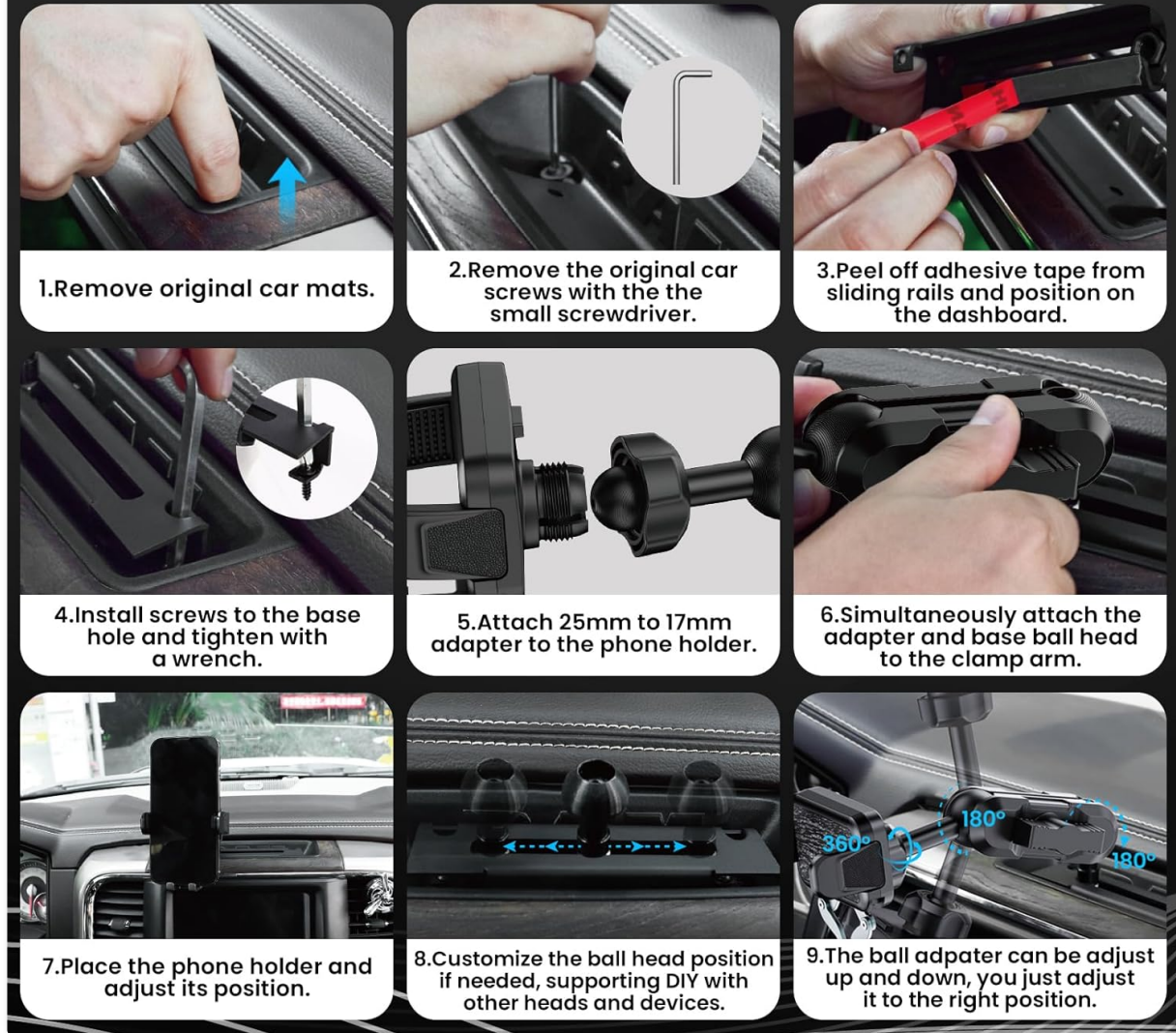


Image: A nine-panel diagram illustrating the step-by-step installation process of the phone mount, from removing original screws to adjusting the final position.

- 1. Remove Original Car Mats:** Carefully remove any existing mats or covers from the dashboard area where the mount will be installed.
- 2. Remove Original Car Screws:** Use the provided small screwdriver to remove the original screws from the designated mounting location on your dashboard.
- 3. Peel Off Adhesive Tape:** If present, peel off the protective adhesive tape from the sliding rails of the base and position it on the dashboard.
- 4. Install Screws to Base Hole:** Place the metal multifunctional slide rail base onto the dashboard, aligning its holes with the factory holes. Insert the original screws through the base and tighten them with the provided wrench.
- 5. Attach 25mm to 17mm Adapter:** Screw the 25mm to 17mm adapter onto the back of the universal phone holder.
- 6. Attach Adapter and Base Ball Head:** Simultaneously attach the adapter (with phone holder) to the mounting arm, and the mounting arm to the 25mm ball head on the base. Secure all connections by tightening the integrated thumbscrews.
- 7. Place Phone Holder and Adjust Position:** Place your phone into the holder and adjust its position and angle as desired.

8. **Customize Ball Head Position (Optional):** If needed, loosen the screw on the slide rail base to move the ball head position along the rail. This supports customization with other heads and devices.
9. **Adjust Ball Adapter:** The ball adapter allows for 360-degree swivel and 180-degree tilt. Adjust it to achieve your preferred viewing angle.

6. Operating Instructions

Once installed, operating your phone mount is straightforward:

6.1 Securing Your Smartphone

- To open the phone holder's clamp arms, press the quick-release button located on the side or back of the holder.
- Gently place your smartphone into the holder. The clamp arms will automatically close and secure your device.
- Ensure your phone is centered and firmly held before driving.

6.2 Adjusting Viewing Angle

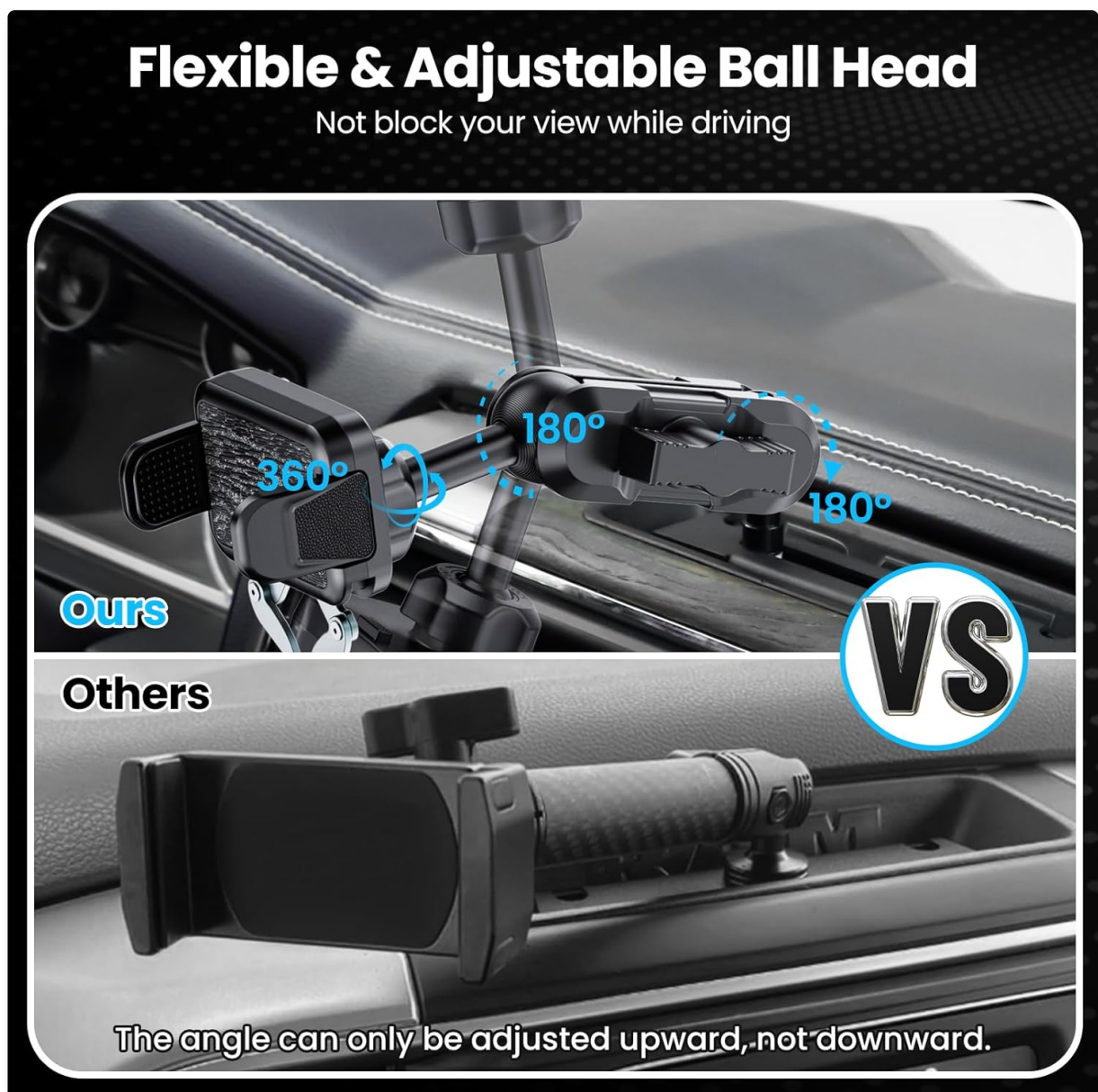


Image: A visual comparison highlighting the flexible and adjustable ball head of the Kaishengyuan mount, demonstrating its ability to rotate 360 degrees and tilt 180 degrees, in contrast to other mounts with limited upward adjustment.

- The mounting arm features a 360-degree swivel mini ballhead and a 0.67-inch thread, allowing for extensive angle adjustments.
- Loosen the thumbscrew on the mounting arm to adjust the angle of your phone. Tighten it firmly once the desired angle is achieved.
- The phone holder itself can rotate 360 degrees, allowing you to switch between portrait and landscape orientations.

6.3 Optimal Placement

The mount's design allows for flexible positioning to suit your needs, whether for navigation or passenger entertainment.

7. Maintenance

- **Cleaning:** Wipe the mount with a soft, damp cloth to remove dust and grime. Avoid harsh chemicals or abrasive cleaners.
- **Inspection:** Periodically check all screws and connections to ensure they remain tight and secure. Re-tighten if necessary.
- **Storage:** If removing the mount for an extended period, store it in a clean, dry place away from extreme temperatures.

8. Troubleshooting

- **Mount feels loose:** Ensure all screws securing the base to the dashboard and the arm to the base are fully tightened.
- **Phone not held securely:** Verify that your phone is within the 4-7 inch size range and that the clamp arms are fully closed around it. Remove excessively bulky accessories if they prevent proper clamping.
- **Difficulty adjusting angle:** Loosen the thumbscrews on the mounting arm slightly before attempting to adjust the angle. Re-tighten once the desired position is achieved.
- **Mount obstructs view:** Re-evaluate the ball head position on the slide rail base. Loosen the screw on the base and slide the ball head to a less obstructive location, then re-tighten.

9. Specifications

Feature	Specification
Model Number	60965US
Compatibility	RAM Truck 1500/2500/3500 (2013-2018), RAM 1500 Classic (2019+)
Compatible Phone Sizes	4"-7" Smartphones
Mounting Type	Dashboard
Material	Metal (Aluminum Alloy, Stainless Steel)
Color	Black
Adjustability	360° Swivel Ballhead, 180° Tilt, Sliding Base
Item Weight	1.28 pounds

Package Dimensions	9.29 x 7.36 x 2.83 inches
--------------------	---------------------------

10. Warranty and Support

Kaishengyuan products are manufactured with quality and customer satisfaction in mind. For any questions, concerns, or warranty claims regarding your phone mount, please contact Kaishengyuan customer support through the retailer's platform or the official brand website. Please have your model number (60965US) and purchase information ready when contacting support.

We are committed to providing reliable products and assistance.

© 2023 Kaishengyuan. All rights reserved.