

[Manuals.plus](#) /

› [Inefala](#) /

› Inefala 10.1 Inch Double Din Android Car Stereo User Manual

## Inefala B0CPS3LMMT

# Inefala 10.1 Inch Double Din Android Car Stereo User Manual

Model: B0CPS3LMMT

Brand: Inefala

## 1. INTRODUCTION

---

Thank you for choosing the Inefala 10.1 Inch Double Din Android Car Stereo. This advanced car stereo system features an 8-core processor, 4GB RAM, and 64GB ROM, providing a smooth and responsive user experience. It integrates wireless CarPlay and Android Auto, GPS navigation, Bluetooth 5.0, FM/RDS radio, and a 32-band DSP for superior audio quality. This manual provides detailed instructions for installation, operation, and troubleshooting to ensure optimal performance and enjoyment of your new car stereo.



Image: The Inefala 10.1 Inch Double Din Android Car Stereo, showcasing its large display, Android 13 interface, 8-core processor, 4GB RAM, 64GB ROM, and included accessories like a backup camera and microphone.

## 2. WHAT'S IN THE BOX

Please verify that all items listed below are included in your package. If any items are missing or damaged, please contact customer support.

- 1 x Android Car Stereo (10.1 Inch)
- 1 x Power Cable
- 1 x GPS Antenna
- 1 x Rear Camera Input Cable
- 1 x RCA Cable
- 2 x USB Cables
- 2 x Mounting Brackets
- 1 x Installation Tool

- 1 x Instruction Manual (this document)
- 1 x AHD Backup Camera (complimentary)
- 1 x External Microphone (complimentary)



Image: A visual representation of the car stereo's dimensions (10.1 inches, 242mm x 147mm) and a detailed list of all components included in the package, such as power cable, AHD rear camera, mounting bracket, GPS antenna, microphone, RCA cable, camera input, and USB cables.

### 3. SPECIFICATIONS

Feature	Description
Screen Size	10.1 Inches
Resolution	720 x 1280
Operating System	Android 15
Processor	8-Core CPU
Memory (RAM)	4GB
Storage (ROM)	64GB
Connectivity	Bluetooth 5.0, USB, Wi-Fi
Special Features	Wireless/Wired CarPlay, Android Auto, Mirror Link, GPS Navigation, Split Screen, 32EQ DSP, FM/RDS Radio, 59 UI Themes, SWC, Backup Camera Support
Audio Output Mode	Stereo

Feature	Description
Product Dimensions	9.5 x 1.8 x 5.7 inches
Item Weight	3.08 pounds

## 4. SETUP AND INSTALLATION

---

Professional installation is recommended. Ensure the vehicle's power is disconnected before beginning installation. Refer to your vehicle's specific wiring diagrams if necessary.

### 4.1 Pre-Installation Check

- Verify all package contents are present.
- Ensure the vehicle's dashboard opening is compatible with a double din unit (10.1-inch screen).
- Disconnect the vehicle's battery to prevent electrical shorts.

### 4.2 Wiring Connections

1. **Power Cable:** Connect the main power harness to the vehicle's power, ground, and accessory wires. Ensure correct polarity.
2. **GPS Antenna:** Connect the GPS antenna and mount it in a location with a clear view of the sky, typically on the dashboard or under the windshield.
3. **USB Cables:** Connect the provided USB cables for data transfer and charging. Route them to a convenient location in the vehicle.
4. **Rear Camera Input:** Connect the rear camera input cable to the corresponding port on the stereo.
5. **RCA Cables:** If connecting external amplifiers or monitors, use the provided RCA cables.
6. **External Microphone:** Connect the external microphone for improved call quality and voice commands. Mount it near the driver's head.
7. **Steering Wheel Control (SWC):** Connect the SWC wires to your vehicle's steering wheel control interface. Configuration will be done in the settings menu after power-up.

### 4.3 Mounting the Unit

1. Attach the mounting brackets to the sides of the car stereo using the provided screws.
2. Slide the stereo into the dashboard opening, securing it with the mounting brackets. Ensure it is flush and stable.
3. Reconnect the vehicle's battery.

## Product Size & Package List

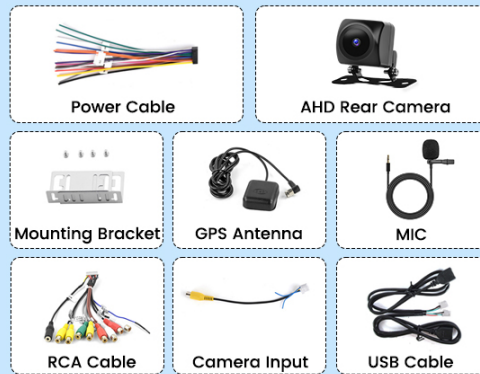
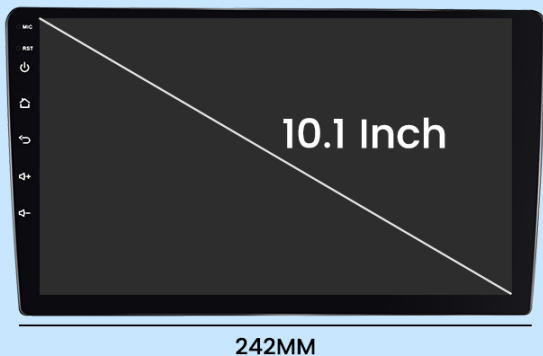


Image: A visual comparison showing a car's dashboard with an older stereo unit (Before Installation) and the Inefala 10.1 Inch IPS Touch Screen installed (After Installation), highlighting the seamless integration.

## 5. OPERATING INSTRUCTIONS

### 5.1 Power On/Off

- Press the power button on the front panel or steering wheel control to turn the unit on or off.
- The unit will automatically power on when the vehicle's ignition is turned on.

### 5.2 Touchscreen Navigation

The 10.1-inch IPS touchscreen provides intuitive control. Tap icons to open applications, swipe to navigate menus, and use pinch-to-zoom gestures where applicable.



Through it you can control the functions you need through the steering wheel, which is more convenient



Image: A visual demonstrating the 2.5D IPS Touchscreen's capabilities, including better color accuracy, brightness, and higher contrast, along with its 1280x720P resolution and wide viewing angle.

### 5.3 Home Screen and UI Themes

The stereo offers 59 customizable UI themes. You can personalize your home screen by moving frequently used apps for quick access.



Image: A collage of different user interface (UI) desktop themes available on the car stereo, showing the variety of customization options for the display.

## 5.4 Split Screen Function

Utilize the split-screen feature to run two applications simultaneously, such as navigation and music playback.

- To activate: Long-press an app icon and drag it to one side of the screen, then select another app for the other side.



Use an RCA cable to connect the headrest, allowing your child to watch their favorite cartoons during travel, keeping them entertained and giving parents peace of mind.

Image: A visual illustrating the new split-screen technology, showing how two applications, such as a music player and a navigation map, can be displayed simultaneously on the 10.1-inch screen.

## 6. WIRELESS CONNECTIVITY

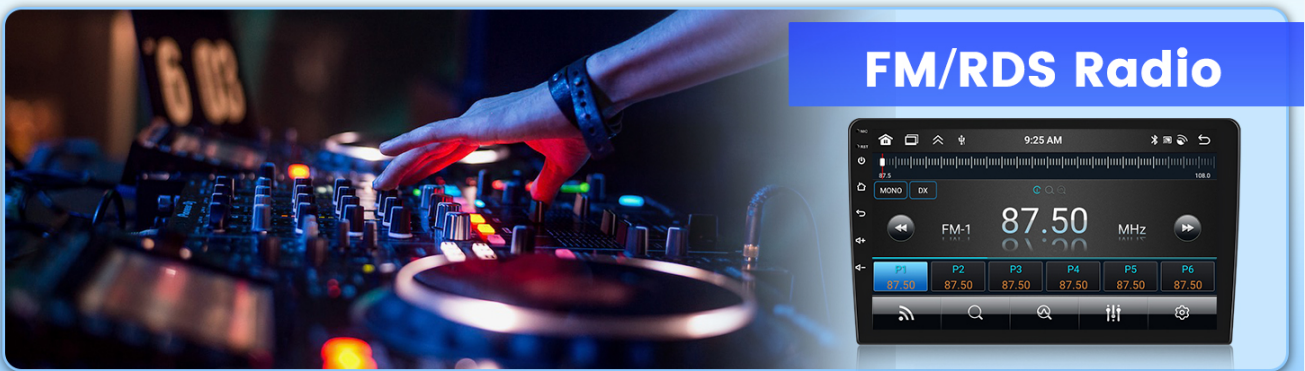
### 6.1 Wireless CarPlay & Android Auto

Connect your iPhone or Android smartphone wirelessly to access navigation, music, calls, and messages directly on the car stereo display.

- Ensure Bluetooth and Wi-Fi are enabled on your phone.
- On the car stereo, open the CarPlay/Android Auto app and follow the on-screen instructions to pair your device.



Image: The Apple CarPlay interface displayed on the car stereo, showing various iOS apps and voice command prompts like 'Hey Siri. Call Maria' and 'Hey Siri. Play Music'.



Online music can be transmitted to the car stereo through FM,30 preset radio stations, support FM/ RDS function, Clear channel search and low noise



Image: The Android Auto interface displayed on the car stereo, showing various Android apps and voice command prompts like 'Hey Google. Message Linda' and 'Take me to KFC'.

## 6.2 Mirror Link

Mirror Link allows you to display your smartphone's screen directly onto the car stereo, enabling access to apps and content not supported by CarPlay or Android Auto.

- Open the 'CarbitLink' or 'Mirror Link' app on the stereo.
- Follow the instructions to connect your phone via USB or Wi-Fi.

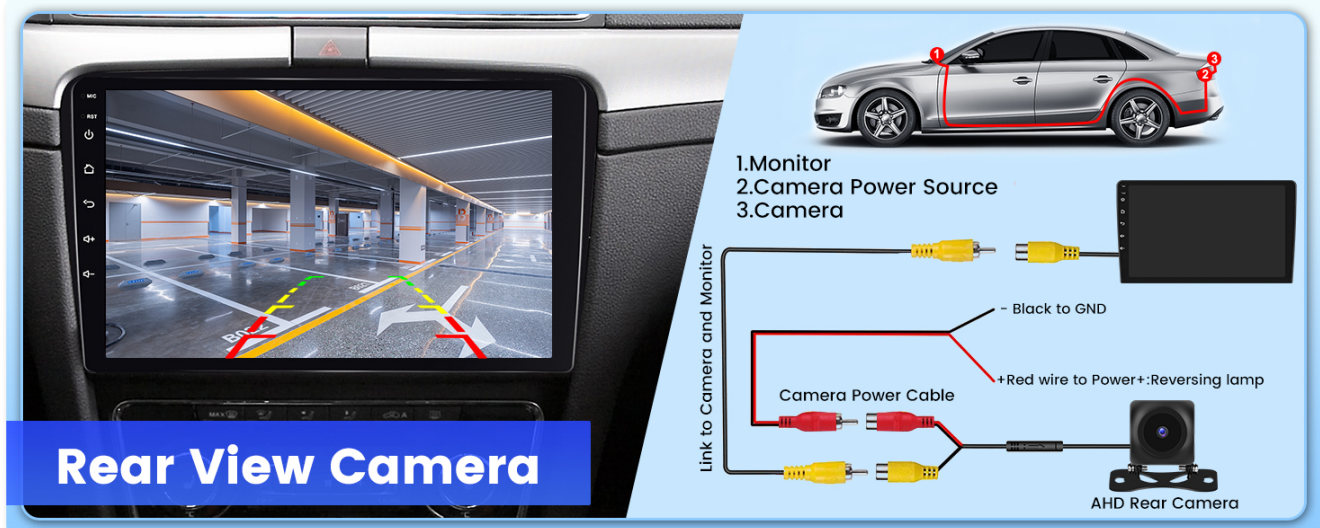


Image: The Mirror Link function in action, showing a smartphone's screen mirrored onto the car stereo display, with the 'CarbitLink' app icon visible.

### 6.3 Bluetooth 5.0

Connect your phone via Bluetooth for hands-free calling and audio streaming.

- Go to the Bluetooth settings on the stereo and enable Bluetooth.
- Search for the stereo on your phone's Bluetooth settings and pair. The default PIN is usually '0000' or '1234'.

### 6.4 Wi-Fi Connection

Connect to a Wi-Fi hotspot (e.g., from your phone or a dedicated car hotspot) to access online features, download apps, and get real-time traffic updates for navigation.

- Navigate to Settings > Network & Internet > Wi-Fi.
- Select your desired network and enter the password.

## 7. GPS NAVIGATION

The stereo comes with built-in GPS and supports offline maps, ensuring navigation even without an internet connection. It also supports online navigation apps like Waze and Google Maps when connected to Wi-Fi.

- Open the 'Navigation' app from the home screen.
- Enter your destination to start turn-by-turn voice guidance.
- Download offline maps for your region via the map application settings for use in areas with poor signal.

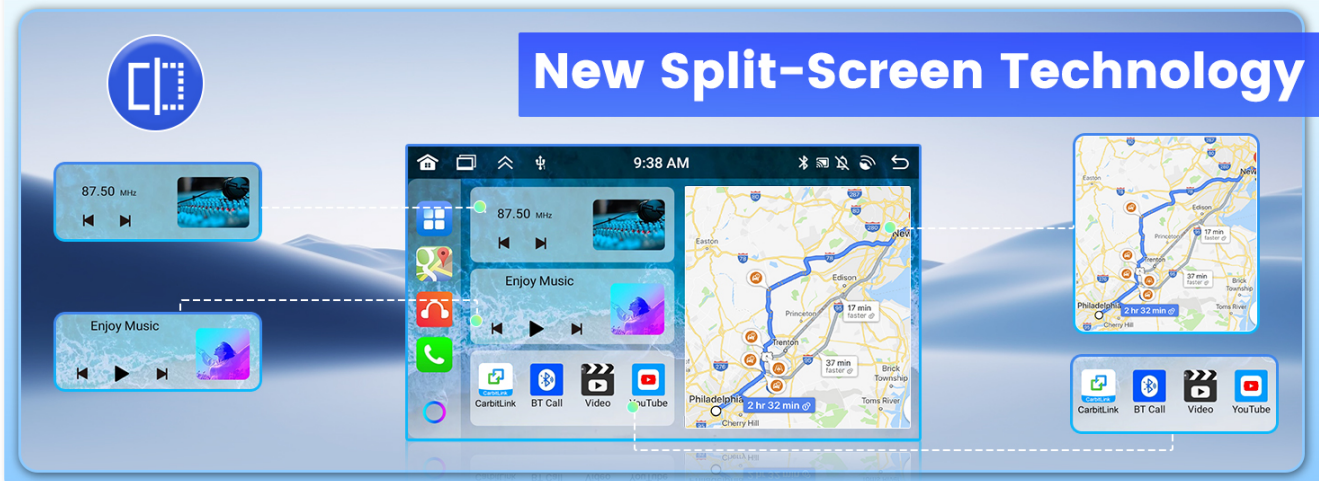


Image: A detailed view of the GPS Navigation system, showing a map with a highlighted route, distance to arrival, and current speed, emphasizing the built-in offline map capability and support for online navigation apps.

## 8. AUDIO FEATURES

### 8.1 DSP & 32-Band EQ

The built-in Digital Signal Processor (DSP) and 32-band Equalizer (EQ) allow for precise audio customization to match your preferences and vehicle acoustics.

- Access the 'DSP' or 'Equalizer' app from the main menu.
- Adjust frequency bands, balance, fader, and sound field settings.
- Experiment with preset EQ modes or create your own custom profile.



Image: A visual representation of the DSP (Digital Signal Processor) and 32-band Equalizer interface, showing detailed audio adjustment options for sound field, frequency, and gain.

### 8.2 FM/RDS Radio

Enjoy your favorite radio stations with the built-in FM/RDS tuner. RDS (Radio Data System) provides additional information like station name and song title.

- Open the 'Radio' app.

- Use the scan function to find available stations or manually tune to a frequency.
- Save up to 30 preferred stations for quick access.



Image: The FM/RDS Radio interface, showing a digital display of the frequency, preset station buttons, and options for clear channel search and low noise, with a background image of a DJ mixing music.

## 9. REAR VIEW CAMERA

The included AHD backup camera provides a clear view of the area behind your vehicle, automatically displaying on the stereo screen when shifting into reverse.

- Ensure the camera is properly installed and wired according to the diagram provided in the package.
- The camera input cable should be connected to the stereo, and the camera's power should be connected to the vehicle's reversing lamp power source.

### Product Size & Package List

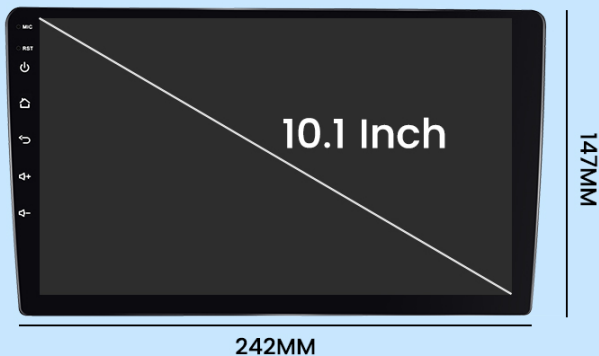


Image: A split view showing the car stereo displaying a rear view camera feed with parking guidelines, alongside a wiring diagram illustrating how to connect the AHD rear camera to the monitor and vehicle power source.

## 10. STEERING WHEEL CONTROL (SWC)

Configure your vehicle's steering wheel buttons to control the car stereo, allowing for safe and convenient operation

while driving.

- After installation, navigate to 'Settings' > 'Steering Wheel Control' on the stereo.
- Follow the on-screen instructions to map each steering wheel button to its desired function (e.g., volume up/down, track skip, mode).

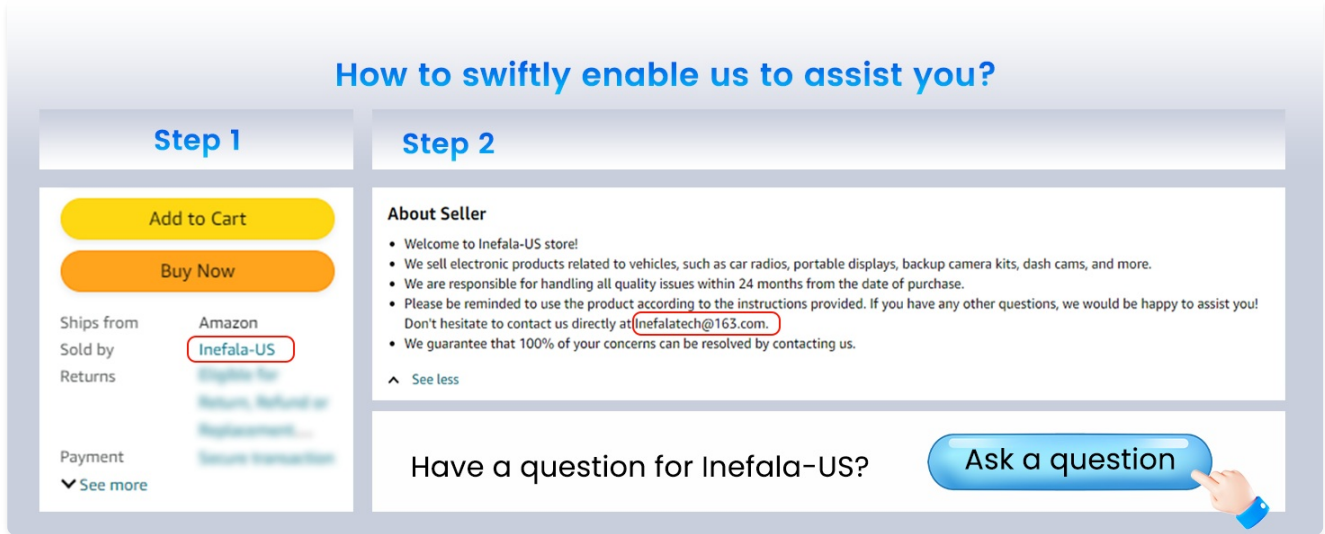


Image: A car's steering wheel with illuminated control buttons, alongside the car stereo display showing the Steering Wheel Control configuration interface, allowing users to program functions like volume, track, and mode.

## 11. MAINTENANCE

To ensure the longevity and optimal performance of your car stereo, follow these maintenance guidelines:

- **Cleaning the Screen:** Use a soft, lint-free cloth to gently wipe the touchscreen. For stubborn smudges, slightly dampen the cloth with water or a screen-safe cleaner. Avoid harsh chemicals or abrasive materials.
- **Software Updates:** Periodically check for software updates through the system settings (if available) or the manufacturer's website to ensure you have the latest features and bug fixes.
- **Avoid Extreme Temperatures:** Do not expose the unit to extreme heat or cold for extended periods, as this can affect its electronic components.
- **Protect from Liquids:** Keep liquids away from the unit to prevent damage.
- **Cable Management:** Ensure all cables are securely connected and not pinched or exposed to excessive wear.

## 12. TROUBLESHOOTING

If you encounter any issues, please refer to the following common problems and solutions before contacting customer support.

Problem	Possible Cause	Solution
Unit does not power on	Incorrect wiring, blown fuse, vehicle battery disconnected.	Check power, ground, and accessory wire connections. Inspect vehicle fuses. Ensure battery is connected.

Problem	Possible Cause	Solution
No sound	Volume too low, mute activated, speaker wires disconnected, incorrect audio output settings.	Increase volume. Check if mute is on. Verify speaker wire connections. Check audio settings (e.g., fader/balance).
GPS not working or inaccurate	GPS antenna not connected or poorly positioned, no internet for online maps.	Ensure GPS antenna is securely connected and has a clear view of the sky. Connect to Wi-Fi for online maps or download offline maps.
Bluetooth connection issues	Bluetooth not enabled, incorrect pairing, interference.	Ensure Bluetooth is enabled on both devices. Delete previous pairings and re-pair. Move closer to the unit.
CarPlay/Android Auto not connecting	Phone not compatible, incorrect settings, poor Wi-Fi/USB connection.	Ensure your phone supports Wireless CarPlay/Android Auto. Check phone settings. Try a different USB cable if wired. Restart both devices.
Rear camera not displaying	Camera not powered, incorrect video input, faulty camera.	Check camera power connection (to reverse light). Verify camera input cable is connected correctly to the stereo. Test with another camera if possible.
Steering Wheel Controls not working	SWC wires not connected, incorrect configuration.	Verify SWC wire connections. Reconfigure SWC settings in the stereo's menu.

## 13. WARRANTY AND SUPPORT

### 13.1 Warranty Information

Inefala provides a **24-month quality assurance** for this product from the date of purchase. This warranty covers manufacturing defects and ensures the product meets its specified quality standards. Additionally, a **30-day free return/refund period** is offered for eligible purchases.



Image: An overview of Inefala's commitment to customer satisfaction, highlighting 24 months quality assurance, 30 days free return, and online reply within

24 hours, with a futuristic car on a highway.

## 13.2 Customer Support

For any quality issues, technical assistance, or questions regarding your Inefala car stereo, please do not hesitate to contact our customer support team. We are committed to resolving your concerns within 24 hours.

- **Email Support:** You can reach us directly at [inefalatech@163.com](mailto:inefalatech@163.com).
- **Online Support:** Visit the Inefala store on Amazon and click on the 'Ask a question' button for assistance.



Image: A graphic detailing how to get 24/7 technical support, including instructions to contact 'Inefala-US' on Amazon and to send an email to [inefalatech@163.com](mailto:inefalatech@163.com).