

VIXLW VHS to Digital Converter

VIXLW VHS to Digital Converter User Manual

Model: VHS to Digital Converter

1. INTRODUCTION

The VIXLW VHS to Digital Converter is a versatile USB video capture card designed to digitize analog video sources such as VHS tapes, VCRs, Hi8 camcorders, and Mini DV tapes. This device allows you to preserve your precious memories by converting them into digital formats compatible with your Mac or PC. It supports automatic detection of NTSC, PAL, and PAL/60 video standards and captures video in MP4 or other digital formats suitable for video editing and live broadcasts.

VIXLW VHS TO Digital Converter



Preserve your precious home movies and memories by converting videos to DVD or popular digital formats.

Image: The VIXLW VHS to Digital Converter facilitates the preservation of home movies and memories by converting analog video to digital formats for viewing on modern devices.

2. PACKAGE CONTENTS

Please verify that all items are present in your product package:

- USB Video Capture Device (1)
- RCA Cable (1)
- Software CD (2)
- User Manual (1)



Image: A complete view of the VIXLW VHS to Digital Converter package contents, showing the main device, RCA cable, and two software CDs.

3. SETUP INSTRUCTIONS

Follow these steps to set up your VIXLW VHS to Digital Converter:

1. **Plug in the VIXLW Video Capture Device:** Insert the USB end of the capture device into an available USB port on your PC or laptop. The device is plug-and-play, meaning drivers will be automatically detected by your computer.
2. **Connect your Video Source:** Use the included RCA cable to connect your VCR, camcorder, or other analog video source to the VIXLW Video Capture Device. Ensure the yellow (video), white (left audio), and red (right audio) connectors are matched correctly.
3. **Install Capture Software:** Download and install recommended capture software such as OBS Studio, PotPlayer (for Windows), or QuickTime Player (for Mac). Download links are typically provided in the included user manual or on the manufacturer's website.

4. **Configure Software Settings:** Open your chosen capture software. In the audio and video settings, select "USB Digital Audio" for the audio driver and "USB Video" for the video driver to ensure proper recording.

EASY WAY TO SET UP

STEP 1

Plug in VIXLW Video Capture to a USB port on your PC



STEP 2

Connect your VCR or camcorder to your PC using a RCA or S-Video cable

RCA/S-Video cable included



STEP 3

Download and install capture software (e.g., OBS, PotPlayer, QuickTime Player)

Download link included



OBS



Potplayer



quicktime player

STEP 4

Follow the instructions in the user manual to begin capturing and converting your videos



Image: Visual guide illustrating the simple four-step setup process for the VIXLW converter, including device connection and software installation.

Support RCA/S-Video to USB Conversion

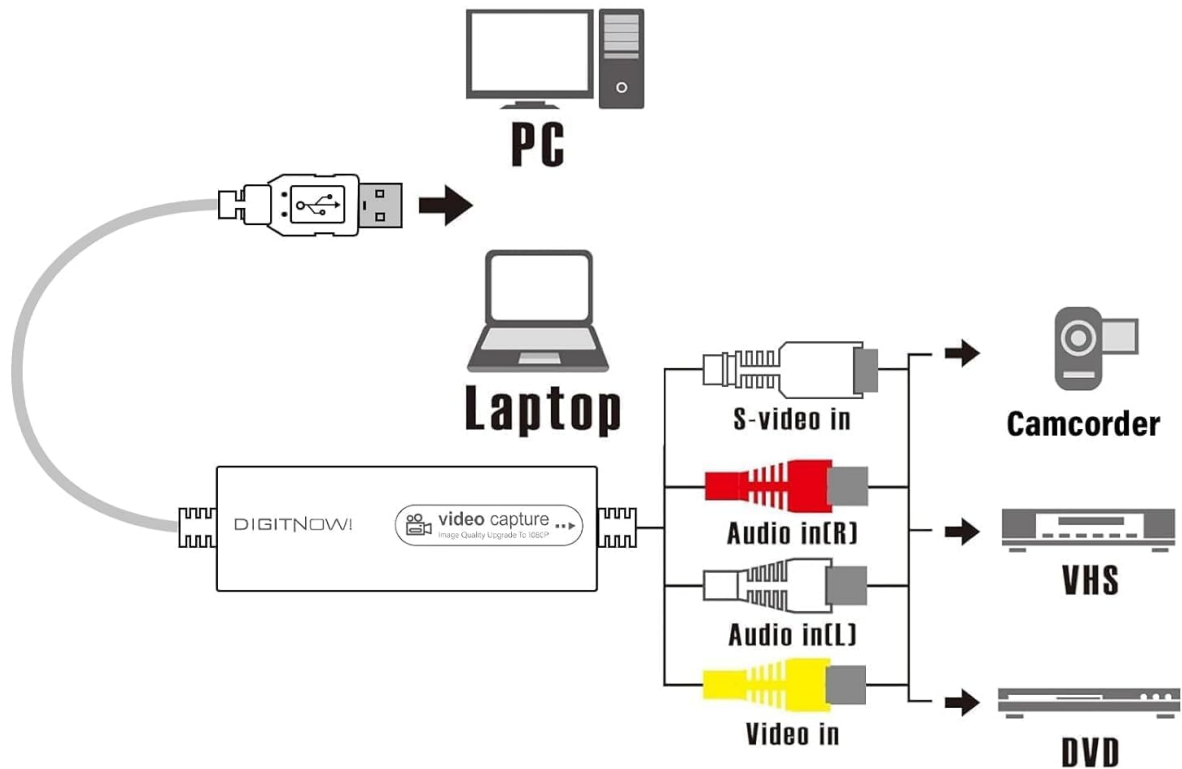


Image: A detailed diagram demonstrating how to connect various analog video sources (camcorder, VHS, DVD) to a PC or laptop using the VIXLW converter for USB conversion.

4. OPERATING INSTRUCTIONS

Once the setup is complete and your software is configured, you can begin capturing your analog videos:

1. **Start Playback:** Begin playing the video on your analog source (VCR, camcorder, etc.).
2. **Initiate Recording:** In your capture software (e.g., OBS Studio), click the record button to start capturing the video stream.
3. **Monitor Capture:** Observe the video preview in the software to ensure the capture is proceeding correctly with both audio and video.
4. **Stop Recording:** Once your video playback is complete, stop the recording in the software. The captured video will be saved to your computer in the format you selected (e.g., MP4).

THE NEWEST VERSION OF Plug and Play

Transfer video from a VCR, VHS, DVD,
Camcorder or other analog video sources to your Mac or PC

- ✓ Stable video capture
- ✓ Edit videos easily
- ✓ Automatically recognize the video source format



USB 2.0 **Plug and Play** **Video input RCA/S-VIDEO** **VHS to DVD** **Support Window 10 and Mac**

Image: The VIXLW converter in action, connected to a VCR and laptop, highlighting its plug-and-play capability for seamless video transfer.



Image: A screenshot from OBS Studio, demonstrating the video resolution settings available, including the option for 1920x1080 capture.

5. TROUBLESHOOTING

If you encounter issues while using your VIXLW VHS to Digital Converter, refer to the following common problems and solutions:

- **How can I get audio?**

1. Before connecting your video source to the VIXLW video capture device, first connect it to a TV using an RCA cable to ensure its audio and video are normal.
2. After confirming your computer and video source are normal, set up according to your manual, and you should get audio and video.

- **About the driver?**

The driver will be automatically detected by your computer once the VIXLW video capture device is plugged in. When making audio and video settings in capture software (e.g., OBS), you will see the audio driver's name as "USB Digital Audio" and the video driver's as "USB Video"; you need to select them to ensure normal recording.

- **About capture software?**

For Windows, you are recommended to use OBS or PotPlayer, which you can download via the link in the manual. For Mac, you can use QuickTime Player that can be downloaded in the Mac App Store.

- **Can I use VIXLW video capture to edit video?**

No. This capture card, when used with OBS or QuickTime Player software, is for recording and streaming only. To edit your video recordings, you need to look for separate video editing software.

- **Is VIXLW video capture up to 1080P?**

Yes, but one thing to note is that video quality depends on your video source. Any capture card cannot change the picture quality of a video source.

- **The product is not compatible with my computer, what should I do?**

If it shows that the product is not compatible with the computer, it may be due to the computer system. You can try to reinstall the computer system or replace the computer.

6. SPECIFICATIONS

Feature	Description
Brand	VIXLW
Model Number	VHS to Digital Converter
Color	White
Connector Type	HDMI (Note: Product description states RCA to USB, HDMI might be a mislabel in source data for this model)
Compatible Devices	PC, Television, VHS, Camcorder, VCR, Hi8
Specific Uses	Video Capture Card, Video Converter
Item Weight	10.6 ounces

Package Dimensions	8.03 x 5.67 x 1.61 inches
Video Resolution	1920x1080 (MJPEG) or 720x576 (YUV) - depends on video source

7. WARRANTY AND SUPPORT

For any product inquiries, technical assistance, or warranty claims, please contact VIXLW customer support through the platform where you purchased the device. Ensure you have your purchase details and product model number ready for faster service.

8. SAFETY INFORMATION

Please read and follow these safety guidelines to ensure safe operation and prolong the life of your device:

- Keep the device away from water or excessive moisture.
 - Do not expose the device to extreme temperatures.
 - Avoid dropping or subjecting the device to strong impacts.
 - Do not attempt to open or repair the device yourself. Refer to qualified service personnel.
 - Use only the provided cables and accessories.
 - Ensure proper ventilation around the device during operation.
-