

[Manuals.plus](#) /

> [SENHE](#) /

> SENHE E40 to E27 Adapter Instruction Manual

## SENHE zhangying

# SENHE E40 to E27 Adapter Instruction Manual

Brand: SENHE | Model: zhangying

## 1. PRODUCT OVERVIEW

The SENHE E40 to E27 Adapter is designed to allow the use of E27 (or E26) base light bulbs in fixtures that are equipped with an E40 socket. This adapter provides a secure and reliable connection, expanding the compatibility of your lighting fixtures. It is constructed with high-quality, flame-retardant PBT material and features a copper core for superior electrical conductivity and safety.



Figure 1.1: Overview of the SENHE E40 to E27 Adapter. This image displays the adapter from an angled perspective, highlighting its threaded E40 base and the internal E27 socket.

## 2. SAFETY INSTRUCTIONS

---

- **Always turn off power** to the fixture at the circuit breaker or fuse box before installing or removing the adapter or any light bulb.
- Ensure the adapter is fully and securely screwed into the E40 socket before inserting an E27 bulb.
- Do not exceed the maximum wattage or voltage rating of your fixture or the adapter.
- Avoid touching the metal parts of the adapter or bulb when power is on.

- Do not use the adapter in wet or damp locations unless the fixture is specifically rated for such environments.
- If the adapter or bulb appears damaged, do not use it. Replace it immediately.

### 3. PRODUCT COMPONENTS AND FEATURES

---

The SENHE E40 to E27 Adapter is engineered for durability and performance. Key features include:

- **Material:** Constructed from high-quality, flame-retardant PBT (Polybutylene Terephthalate) plastic, ensuring safety and longevity.
- **Conductivity:** Features a robust copper core structure for stable and effective electrical conductivity, minimizing the risk of flame hazards or electric shock.
- **High Temperature Resistance:** Designed to operate reliably in high-temperature environments, suitable for various lighting applications.
- **Certification:** CE and RoHS certified, indicating compliance with European safety, health, and environmental protection standards.



Figure 3.1: Close-up view of the E27 socket end, showing the central copper contact and internal wiring, which ensures good conductivity.

## 4. SETUP AND INSTALLATION

Follow these steps to safely install the E40 to E27 adapter and your light bulb:

1. **Step 1: Power Off.** Before beginning, ensure the power supply to the light fixture is completely turned off at the main circuit breaker or fuse box. Verify that the fixture is de-energized.
2. **Step 2: Insert Adapter.** Carefully screw the E40 end of the adapter into the existing E40 light fixture socket. Turn clockwise until it is firmly seated and snug. Do not overtighten.
3. **Step 3: Insert Bulb.** Once the adapter is securely in place, screw your E27 (or E26) base light bulb into the

E27 socket of the adapter. Turn clockwise until the bulb is firmly seated.

- Step 4: Restore Power.** Turn the power supply back on at the circuit breaker or fuse box.
- Step 5: Test.** Turn on the light switch to confirm the bulb is functioning correctly.

## 5. OPERATION

Once installed, the SENHE E40 to E27 Adapter functions as a standard E27 light bulb socket. Simply operate your light fixture as you normally would. The adapter facilitates the electrical connection between the E40 fixture and the E27 bulb, allowing for normal illumination.

## 6. MAINTENANCE

The E40 to E27 adapter requires minimal maintenance. Follow these guidelines to ensure its longevity:

- Cleaning:** Ensure power is off before cleaning. Wipe the adapter with a dry, soft cloth to remove dust or debris. Do not use liquid cleaners or abrasive materials.
- Inspection:** Periodically inspect the adapter for any signs of damage, such as cracks, discoloration, or loose connections. If any damage is observed, discontinue use and replace the adapter.
- Storage:** If storing adapters, keep them in a cool, dry place away from direct sunlight and moisture.

## 7. TROUBLESHOOTING

If you encounter issues with your adapter, consider the following troubleshooting steps:

Problem	Possible Cause	Solution
Bulb does not light up.	Power is off. Bulb is faulty. Adapter not fully screwed in. Bulb not fully screwed into adapter. Fixture issue.	Check circuit breaker/fuse. Test bulb in another fixture or replace. Ensure adapter is tightly screwed into E40 socket (power off). Ensure bulb is tightly screwed into adapter (power off). Consult an electrician if fixture is suspected.
Adapter feels loose.	Not tightened sufficiently. Damaged threads.	Turn off power and re-tighten. If threads are damaged, replace the adapter.

## 8. SPECIFICATIONS

Attribute	Detail
Model	E40 to E27 Adapter Converter
Body Material	Flame-retardant PBT (Polybutylene Terephthalate)
Contact Material	Conductive Copper
Certification	CE, RoHS
Compatibility	Allows E27/E26 base bulbs in E40 sockets

Attribute	Detail
Dimensions (Approximate)	Overall Height: 51.5 mm E40 Base Diameter: 44 mm E27 Socket Diameter: 32 mm Base Thread Diameter: 36.3 mm
Weight (per adapter)	Approximately 24g

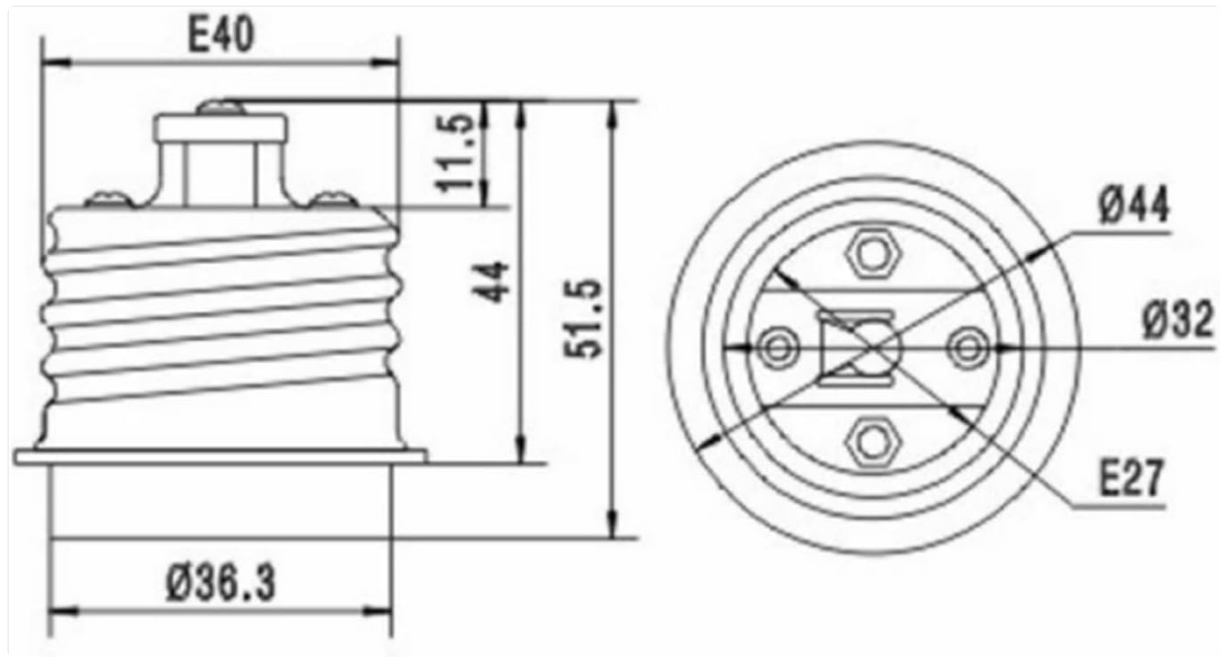


Figure 8.1: Technical drawing illustrating the dimensions of the E40 to E27 adapter, including E40 and E27 diameters and overall height.

## 9. WARRANTY AND SUPPORT

Specific warranty details for this product are not provided in the available information. For any product-related inquiries, technical support, or to report issues, please contact the seller or manufacturer directly through the platform where the product was purchased. Ensure you have your purchase details readily available when contacting support.