

[Manuals.plus](#) /

› [Covermates](#) /

› Covermates Ultima Ripstop Black Round Firepit Cover (36" Diameter x 25" Height) Instruction Manual

Covermates CSP40F27BKR

Covermates Ultima Ripstop Black Round Firepit Cover Instruction Manual

Model: CSP40F27BKR

PRODUCT OVERVIEW

The Covermates Ultima Round Firepit Cover is designed to protect your outdoor firepit from various environmental elements. Constructed from durable 600D ripstop polyester, this cover features a ripstop grid for enhanced tear strength, a breathable mesh vent to prevent moisture buildup, and a secure fit system including an adjustable drawcord and buckle straps.

This cover is engineered to withstand moderate to high rain, sun, snow, humidity, and extreme wind gusts, ensuring the longevity and appearance of your firepit.



Image: The Covermates Ultima Ripstop Black Round Firepit Cover, showcasing its full coverage design.

SETUP INSTRUCTIONS

1. **Prepare the Firepit:** Ensure your firepit is completely cool and clean before applying the cover. Remove any ash or debris.
2. **Position the Cover:** Carefully place the cover over the top of your round firepit. Ensure it drapes evenly around all sides.
3. **Secure with Drawcord:** Locate the adjustable drawcord at the bottom hem of the cover. Pull the drawcord tight and use the locking system to secure it, ensuring a snug fit around the base of the firepit.



Drawcord Locking System

Image: Detail of the drawcord locking system, used to tighten the cover around the firepit's base.

4. **Fasten Buckle Straps:** Utilize the four corner buckle straps. Wrap each strap around a leg or stable part of the firepit and secure the buckles. Tighten the straps to prevent the cover from lifting in windy conditions.



Buckle Straps

Image: A buckle strap fastened around a firepit leg, demonstrating how to secure the cover.

5. **Verify Fit:** Once secured, check that the cover is taut and fully covers the firepit, leaving no exposed areas.



Image: The Covermates firepit cover properly installed on a round firepit, providing full protection.

USAGE GUIDELINES

- **Regular Use:** Apply the cover whenever the firepit is not in use, especially during periods of inclement weather or extended storage.
- **Weather Protection:** The Ultima material is designed for all-weather durability, protecting against rain, sun, snow, and wind. Ensure the drawcord and buckle straps are always secured to maximize protection.
- **Ventilation:** The integrated mesh vent helps to prevent condensation and mildew buildup under the cover. Ensure the vent is not obstructed.



Covered Mesh Vent

Image: Detail of the covered mesh vent, designed to allow airflow while preventing water entry.

CARE AND MAINTENANCE

- **Cleaning:** To clean the cover, wipe it down with a damp cloth and mild soap. Rinse thoroughly with water and allow it to air dry completely before storage or re-application. Do not machine wash or tumble dry.
- **Storage:** If storing the cover for an extended period, ensure it is clean and completely dry to prevent mildew. Fold neatly and store in a cool, dry place.
- **Inspection:** Periodically inspect the cover for any signs of wear, tear, or damage. Address minor issues promptly to maintain optimal protection. The ripstop grid and double-stitched seams with waterproof binding are designed for durability.

TROUBLESHOOTING

- **Cover Does Not Fit Snugly:** Ensure the drawcord is pulled tight and locked. Verify that the buckle straps are properly fastened and adjusted. Check the dimensions of your firepit against the cover's specifications.
- **Water Pooling on Top:** While the cover is water-resistant, prolonged pooling can occur if the firepit surface is flat. Consider placing an object (e.g., an inverted bucket) under the center of the cover to create a slight dome shape, allowing water to run off.

- **Mildew or Mold:** This typically indicates insufficient airflow or moisture trapped underneath. Ensure the mesh vent is clear and the cover is completely dry before application. Clean any mildew promptly with a mild solution of water and white vinegar.

PRODUCT SPECIFICATIONS

Brand: Covermates

Model Number: CSP40F27BKR

Material: 600D Ripstop Polyester

Color: Ultima Ripstop Black

Product Dimensions: 36" Diameter x 25" Height (36"L x 36"W x 25"H)

Item Weight: 2.12 pounds

Closure Type: Drawstring, Buckle

Special Features: Weather Resistant, Drawcord Hem, Buckle Straps, Covered Mesh Vent, Rot-Resistant Thread, Double-Stitched Seams with Waterproof Seam Binding

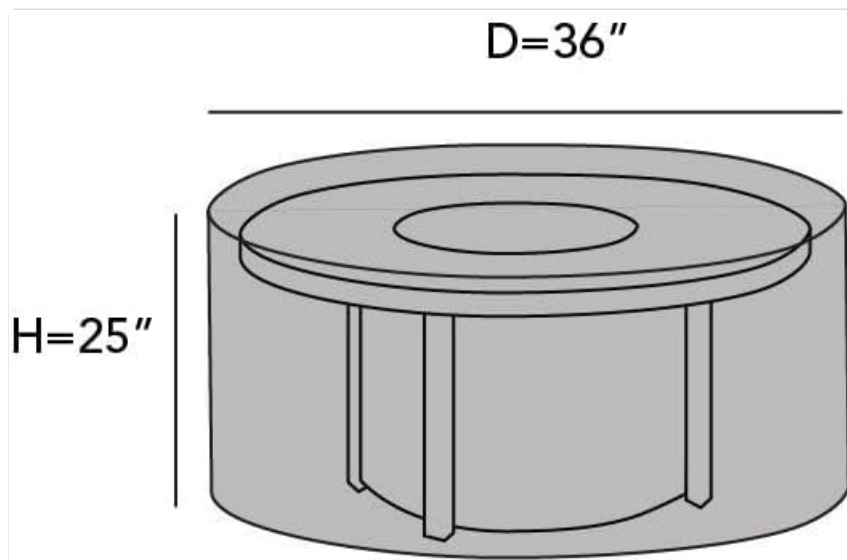


Image: Dimensional diagram illustrating the 36-inch diameter and 25-inch height of the firepit cover.

WARRANTY INFORMATION

This Covermates Ultima Firepit Cover comes with a **7-Year Warranty**. This warranty covers defects in material

and craftsmanship under normal use and conditions. For warranty claims or further details, please refer to the manufacturer's official website or contact customer support.

CUSTOMER SUPPORT

For any questions, concerns, or assistance regarding your Covermates Ultima Round Firepit Cover, please contact Covermates customer support.

- **Online Support:** Visit the official Covermates website for FAQs and support resources.
- **Contact Manufacturer:** Refer to the packaging or the Covermates website for direct contact information (phone, email).
- **Brand Store:** You can also visit the [Covermates Store on Amazon](#) for more product information and support.