



Manuals.plus /

› WENCAI /

› WENCAI BL-8817 88-Key Digital Piano Instruction Manual

## WENCAI BL-8817

# WENCAI BL-8817 88-Key Digital Piano Instruction Manual

Model: BL-8817

## 1. INTRODUCTION

This manual provides essential information for the proper assembly, operation, and maintenance of your WENCAI BL-8817 88-Key Digital Piano. Please read it thoroughly before using the instrument to ensure optimal performance and longevity.



Figure 1.1: WENCAI BL-8817 88-Key Digital Piano. This image displays the complete digital piano with its 88 keys and three pedals, presented in a black finish.

## 2. SAFETY INSTRUCTIONS

- **Power Supply:** Use only the provided PES certified power supply. Ensure the voltage matches your local power specifications.
- **Placement:** Place the piano on a stable, level surface. Avoid direct sunlight, heat sources, and excessive humidity.
- **Ventilation:** Do not block ventilation openings. Ensure adequate airflow around the instrument.
- **Liquid and Objects:** Prevent liquids or foreign objects from entering the instrument. If this occurs, disconnect power immediately and contact support.
- **Cleaning:** Clean the instrument with a soft, dry cloth. Do not use abrasive cleaners or solvents.
- **Disassembly:** Do not attempt to disassemble or modify the instrument. Refer all servicing to qualified personnel.

## 3. PACKAGE CONTENTS

Verify that all items are present in the package:

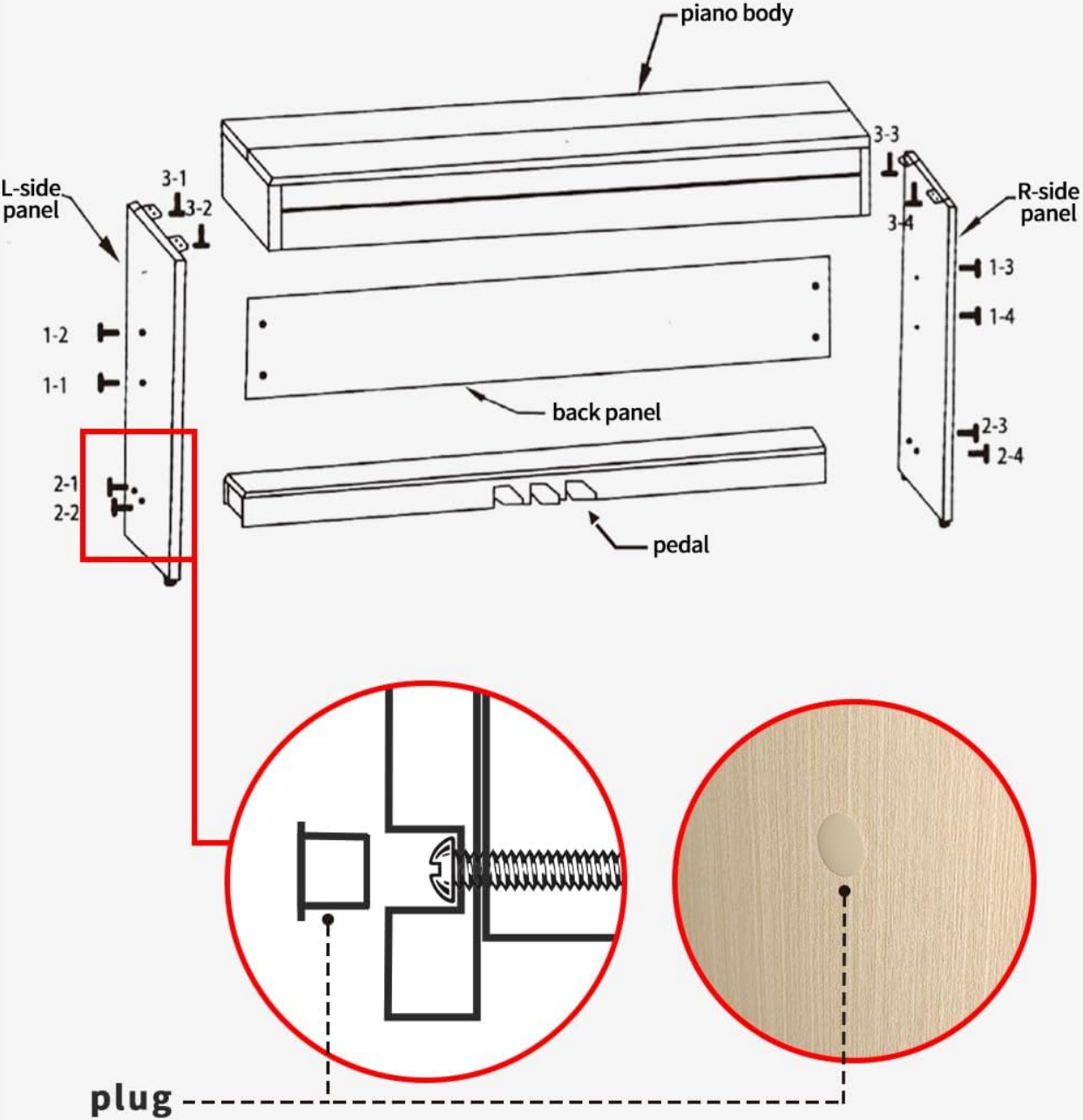
- WENCAI BL-8817 Digital Piano Unit
  - 3-Pedal Unit
  - Power Supply (PES certified)
  - Instruction Manual (English)
  - Assembly Hardware (screws, plugs)
- 

## 4. ASSEMBLY INSTRUCTIONS

Follow these steps to assemble your digital piano. It is recommended to have assistance during assembly.

1. Carefully unpack all components and verify against the package contents list.
2. Attach the side panels to the main piano body using the provided screws. Ensure correct orientation (L-side panel and R-side panel).
3. Secure the back panel to the piano body and side panels.
4. Connect the pedal unit to the designated attachment points on the side panels.
5. Once all screws are tightened, cover the screw holes with the decorative plugs for a finished appearance.

# Installing the screws in the holes of side panels Then cover screw holes with plugs



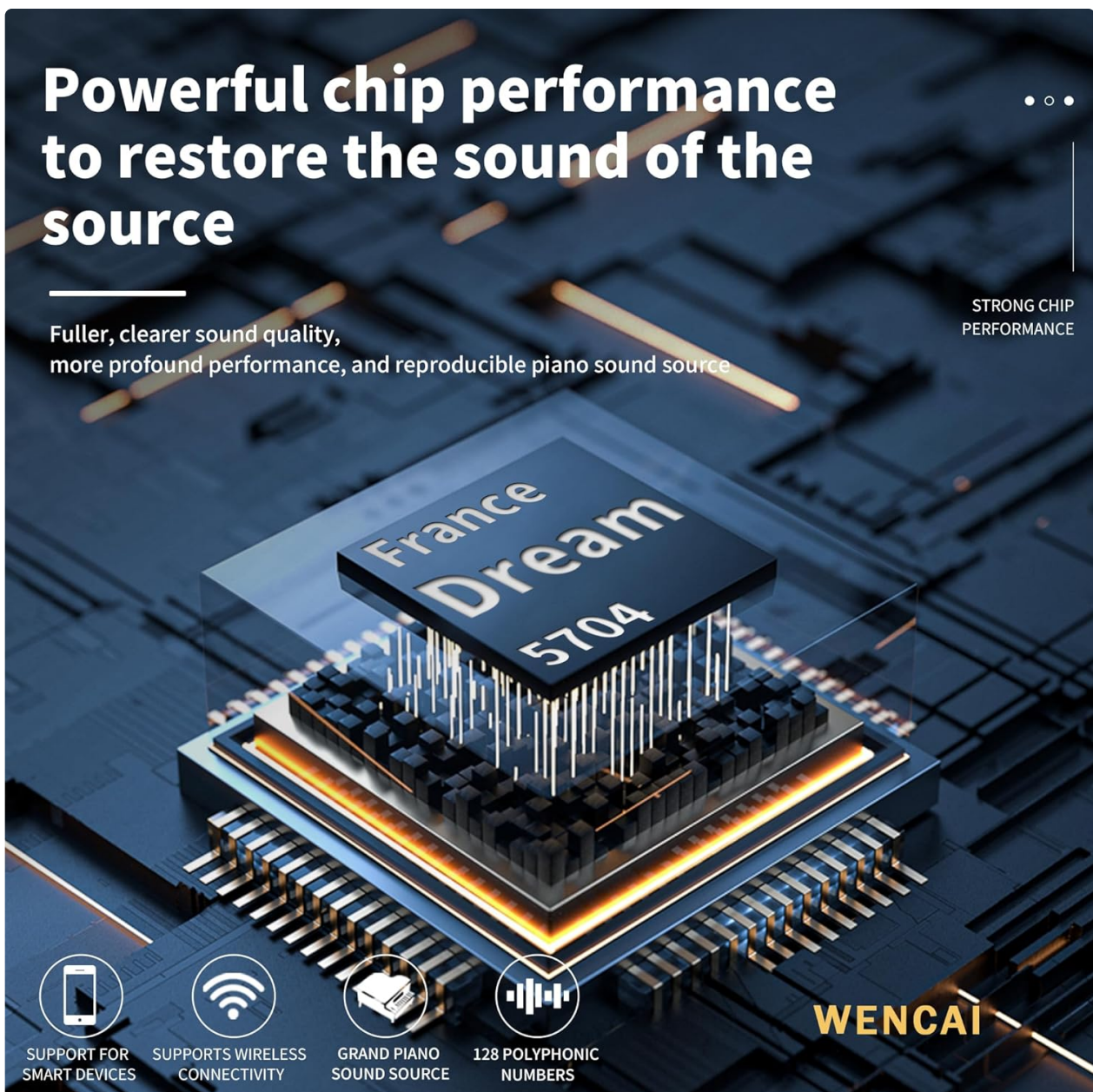
**\*Read the manual in detail for more  
installation instructions**

Figure 4.1: Assembly Diagram. This diagram illustrates the main components (piano body, side panels, back panel, pedal) and the screw placement for assembly, including a detail of how to install screws and cover them with plugs.

## 5. PRODUCT FEATURES

The WENCAI BL-8817 Digital Piano offers a range of features designed for a comprehensive playing experience:

- **88 Velocity-Sensitive Keys:** Full-size keyboard replicating the feel of a grand piano.
- **Advanced Sound Source:** Utilizes the French DREAM sound source for realistic piano tones.
- **Integrated Loudspeaker:** Features a 15W electric piano speaker for clear sound output.
- **Versatile Functionality:** Includes 100 Rhythms, 128 Tones, and 88 Demo songs.
- **Practice Modes:** Metronome, REC/PLAY function, Finger Force Sensing, Dual Mode, Tempo Change, Transposition, and Chord functions.
- **Connectivity:** USB-MIDI port for connection to smart devices and music apps, wireless connectivity, and dual headphone jacks for private practice.
- **Dual-Purpose Design:** The piano can function as a desk when the dust cover is closed.



# Powerful chip performance to restore the sound of the source

Fuller, clearer sound quality, more profound performance, and reproducible piano sound source

STRONG CHIP PERFORMANCE

SUPPORT FOR SMART DEVICES

SUPPORTS WIRELESS CONNECTIVITY

GRAND PIANO SOUND SOURCE

128 POLYPHONIC NUMBERS

**WENCAI**

Figure 5.1: Powerful Sound Source. This image illustrates the advanced French DREAM sound chip (model 5704) which provides a fuller, clearer, and reproducible piano sound source, highlighting its role in delivering realistic piano tones.

# A Digital Piano & A Desk

Close the flip cover and the electric piano becomes a desk.



Figure 5.2: Piano & Desk Functionality. This image shows the digital piano with its key cover closed, demonstrating its ability to serve as a functional desk when not in use, integrating into a home environment.



Figure 5.3: Versatile Performance. This composite image highlights various features including the 88 velocity-sensitive keys, dual-use mode for two players, professional pedals, and the digital control panel, emphasizing its suitability for beginners.

## 6. SETUP

1. After assembly, ensure all connections are secure.
2. Connect the power supply to the DC power socket on the rear of the piano and then to a wall outlet.
3. Press and hold the POWER button for 1-1.5 seconds to turn on the instrument.
4. Adjust the volume to a comfortable level using the VOL+/- buttons.

## 7. OPERATING INSTRUCTIONS

The control panel provides access to various functions. Refer to the diagram below for button layout.



Figure 7.1: Control Panel Overview. This image displays the digital piano's control panel with buttons for Tone, Rhythm, Demo, Dual, Split, Tempo, Trans, Touch, Replay, Equalizer, Chord, Metronome, and volume controls. It also lists features like 100 Rhythms, 128 Tones, 88 Demos, wireless connection, REC/PLAY, metronome, finger force sensing, dual mode, tempo change, transposition, chord, and dual headphone jacks.

### 7.1 Basic Functions

- **Power On/Off:** Press and hold the 'POWER' button for 1-1.5 seconds.
- **Volume Adjustment:** Use 'VOL+' and 'VOL-' buttons.
- **Tone Selection:** Press the 'TONE' button, then use 'SELECT+' or 'SELECT-' to choose from 128 available tones.
- **Rhythm Selection:** Press the 'RHYTHM' button, then use 'SELECT+' or 'SELECT-' to choose from 100 available rhythms.
- **Demo Songs:** Press the 'DEMO' button to play through the 88 built-in demo songs. Use 'SELECT+' or 'SELECT-' to navigate.

### 7.2 Advanced Functions

- **Metronome:** Press the 'METRONOME' button to activate/deactivate the metronome. Adjust tempo using 'TEMPO' button and 'SELECT+'/'SELECT-'.
- **Recording (REC/PLAY):** Press 'REC' to start recording your performance. Press 'PLAY' to listen to your recorded piece.
- **Dual Mode:** Allows two different voices to be played simultaneously when a single key is pressed. Press

'DUAL' to activate/deactivate.

- **Split Mode:** Divides the keyboard into two sections, each with a different voice. Press 'SPLIT' to activate/deactivate.
- **Transposition:** Adjust the pitch of the entire keyboard up or down. Press 'TRANS' and use 'SELECT+'/'SELECT-'.
- **Touch Sensitivity:** Adjust the keyboard's response to your playing dynamics. Press 'TOUCH' and use 'SELECT+'/'SELECT-'.

---

## 8. CONNECTIVITY

The WENCAI BL-8817 offers various connectivity options for enhanced functionality.

- **USB-MIDI:** Connect the piano to a computer, smartphone, or tablet using a USB-MIDI cable. This allows for MIDI data transfer, enabling use with music production software or learning applications.
- **Wireless Connection:** The piano supports wireless connectivity for certain functions (e.g., Bluetooth MIDI). Refer to your device's manual for specific pairing instructions.
- **Headphone Jacks:** Two 3.5mm headphone jacks are provided for private practice, allowing two users to listen simultaneously without disturbing others.
- **Audio Input/Output:** Use the audio input to connect external audio sources and play along. The audio output can be used to connect to external amplification systems.



Figure 8.1: Connection Panel. This image shows a close-up of the piano's rear connection panel, featuring ports such as USB-MIDI, headphone jacks, audio input/output, and the DC power socket.

---

## 9. MAINTENANCE

- **Cleaning:** Wipe the surface of the piano with a soft, dry, lint-free cloth. For stubborn dirt, slightly dampen the cloth with water and mild soap, then wipe dry immediately. Avoid excessive moisture.
- **Key Cleaning:** Use a soft cloth to gently wipe the keys. Do not use harsh chemicals.
- **Storage:** When not in use, close the key cover to protect the keys from dust and debris. If storing for an extended period, disconnect the power supply.
- **Environmental Conditions:** Maintain a stable room temperature and humidity. Extreme fluctuations can damage the instrument.

---

## 10. TROUBLESHOOTING

If you encounter issues, refer to the following common problems and solutions:

Problem	Possible Cause	Solution
No sound	Power not connected, volume too low, headphones connected.	Check power connection, increase volume, disconnect headphones.
Keys not responding	Instrument not powered on, internal malfunction.	Ensure power is on. If problem persists, contact customer support.
Distorted sound	Volume too high, faulty connection.	Reduce volume. Check all audio cable connections.
MIDI connection issues	Incorrect cable, driver issues, software settings.	Ensure correct USB-MIDI cable is used. Install necessary drivers. Check software MIDI settings.

If the problem persists after attempting these solutions, please contact WENCAI customer support.

## 11. SPECIFICATIONS

Feature	Specification
Model Name	BL-8817
Number of Keys	88
Key Type	Velocity-Sensitive
Sound Source	French DREAM
Tones	128
Rhythms	100
Demo Songs	88
Connectivity Technology	USB, Wireless
Connector Types	3.5mm Jack (Headphones), MIDI USB, Micro USB B, USB Type C
Power Source	Corded Electric
Special Feature	Digital Display
Item Weight	72.8 pounds
Package Dimensions	56 x 15 x 13.5 inches
Manufacturer	WENCAI



Figure 11.1: Dimensions and Multifunctional Socket. This image provides key dimensions of the piano (133cm length, 76cm height, 30.5cm depth) and details the multifunctional socket, including MIDI transfer jack, headphone jack, audio input/output jack, and DC power socket.

---

## 12. WARRANTY AND SUPPORT

Your WENCAI BL-8817 Digital Piano comes with the following:

- **Warranty:** 1-year warranty from the date of purchase.
  - **Returns:** Unconditional return within 30 days of purchase.
  - **Customer Support:** For any questions or issues, please contact WENCAI customer support through your order history.
-