

Manuals+

[Q & A](#) | [Deep Search](#) | [Upload](#)

manuals.plus /

› [EDISLIVE](#) /

› [EDISLIVE Modern Dimmable LED Vanity Light 360° Rotatable Bathroom Wall Sconce Instruction Manual, 23.2 inch, 6000K \(Black\)](#)

EDISLIVE 637e2d0d-6cd6-4861-96ff-96a37aad59d7

EDISLIVE Modern Dimmable LED Vanity Light Instruction Manual

Model: 637e2d0d-6cd6-4861-96ff-96a37aad59d7

1. INTRODUCTION

Thank you for purchasing the EDISLIVE Modern Dimmable LED Vanity Light. This manual provides essential information for the safe installation, operation, and maintenance of your new lighting fixture. Please read these instructions thoroughly before installation and retain them for future reference.

2. SAFETY INFORMATION

- Always turn off the power at the circuit breaker before beginning installation.
- Consult a qualified electrician if you are unsure about the installation process.
- Ensure all electrical connections are made in accordance with local codes and ordinances.
- Do not attempt to modify the fixture in any way.
- This fixture is designed for indoor use only and is not water-resistant. Avoid installation in areas with direct water exposure.
- Handle the LED light tubes with care to prevent damage.

3. PACKAGE CONTENTS

Please verify that all components are present before proceeding with installation:

- LED Vanity Light Fixture (1)
- Mounting Bracket (1)
- Hardware Pack (Screws, Wire Nuts, Wall Anchors) (1)
- Instruction Manual (1)

4. SPECIFICATIONS

Feature	Detail
Brand	EDISLIVE
Model Number	637e2d0d-6cd6-4861-96ff-96a37aad59d7
Color	Black-360°Rotatable-Cool
Material	Iron, Acrylic
Style	Modern
Product Dimensions (L x W x H)	23.23" x 3.74" x 4.33"
Item Weight	2.64 pounds
Power Source	AC
Installation Type	Flush Mount
Light Source Type	LED
Wattage	15 watts
Voltage	120 Volts (AC)
Color Temperature	6000 Kelvin (Cool White)
Brightness	1200 Lumens
CRI	>80
Lifespan	Up to 50,000 hours
Special Feature	Dimmable (requires external dimmer switch, not included), 360° Rotatable Lamp Tube
Indoor/Outdoor Usage	Indoor

5. INSTALLATION INSTRUCTIONS

This LED wall sconce is a hard-wired light fixture. Professional installation is recommended if you are not familiar with electrical wiring.

5.1 Tools Required (Not Included)

- Screwdriver (Phillips and Flathead)
- Wire Strippers
- Pliers
- Electrical Tape
- Voltage Tester
- Ladder

5.2 Step-by-Step Installation

1. **Turn Off Power:** Before starting, ensure the power supply to the installation area is completely

turned off at the circuit breaker. Use a voltage tester to confirm the power is off.

2. **Prepare Mounting Surface:** If replacing an existing fixture, carefully remove it. Ensure the junction box is securely mounted and accessible.
3. **Attach Mounting Bracket:** Secure the provided mounting bracket to the junction box using the screws from the hardware pack. Ensure the bracket is level.



Image: The EDISLIVE LED Vanity Light installed horizontally above a bathroom mirror, showcasing its modern design and illumination.

4. **Make Electrical Connections:**

- Connect the **black** wire from the fixture to the **black** (live) wire from the junction box.
- Connect the **white** wire from the fixture to the **white** (neutral) wire from the junction box.
- Connect the **ground** wire (bare copper or green) from the fixture to the **ground** wire from the junction box.
- Secure all connections with wire nuts and wrap with electrical tape for added safety.

5. **Mount the Fixture:** Carefully align the fixture with the mounting bracket and secure it using the provided screws. Ensure the fixture is flush against the wall.

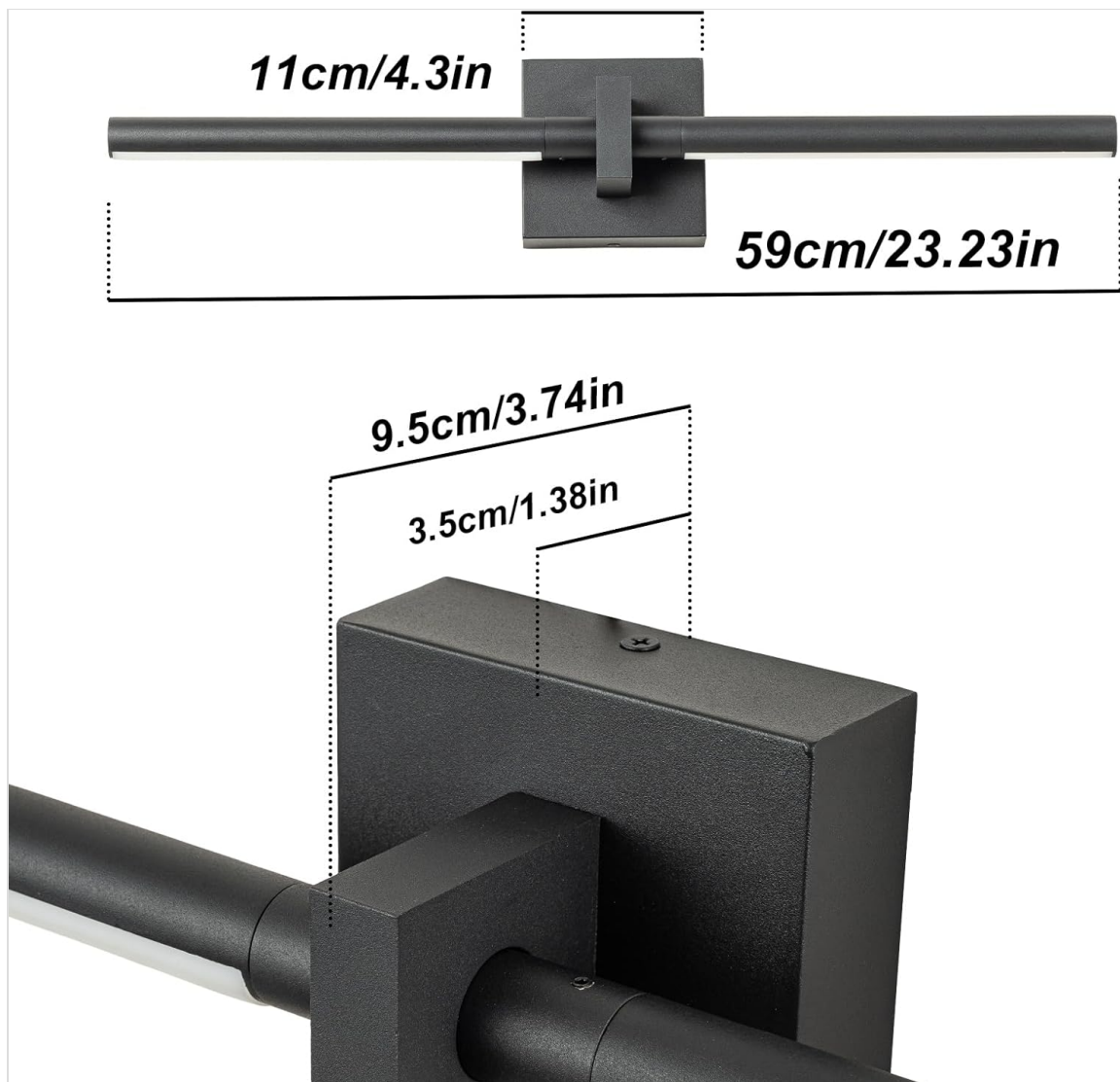


Image: Detailed dimensions of the EDISLIVE LED Vanity Light, showing its length of 23.23 inches and width from the wall of 3.74 inches.

6. **Restore Power:** Once the fixture is securely mounted and all connections are checked, restore power at the circuit breaker.
7. **Test Functionality:** Turn on the light switch to ensure the fixture is working correctly.

6. OPERATING INSTRUCTIONS

6.1 Dimmable Functionality

This EDISLIVE LED Vanity Light is fully dimmable. To adjust the brightness, you must use a compatible wall dimmer switch (not included). Install a suitable dimmer switch according to its manufacturer's instructions. Once installed, you can control the light intensity to create your desired ambiance.



Image: An illustration demonstrating the dimmable capability of the EDISLIVE LED Vanity Light, indicating that a dimmer switch (not included) is required for brightness adjustment.

6.2 360° Rotatable Lamp Tube

The lamp tubes of this fixture can be rotated 360 degrees. This feature allows you to adjust the direction of the light to suit your specific needs, whether for direct illumination or ambient lighting. Gently rotate the lamp tubes to achieve the desired angle.



360° ROTATABLE ANGLE
(Adjustable lamp tube)

Image: A close-up view highlighting the 360° rotatable design of the EDISLIVE LED Vanity Light's lamp tube, allowing for adjustable light direction.

7. MAINTENANCE

- **Cleaning:** To clean the fixture, ensure the power is off. Use a soft, dry cloth to wipe down the surfaces. Avoid abrasive cleaners, solvents, or polishes as they may damage the finish or LED components.
- **LED Replacement:** The LED components in this fixture are designed for long-term use (up to 50,000 hours) and are non-replaceable by the user. Do not attempt to open or replace the LED modules.

8. TROUBLESHOOTING

Problem	Possible Cause	Solution
---------	----------------	----------

Light does not turn on.	No power to the fixture. Loose wiring connection. Faulty switch.	Check circuit breaker. Verify all wire connections are secure (ensure power is off first). Test the light switch.
Light flickers or dims unexpectedly.	Incompatible dimmer switch. Loose wiring.	Ensure a compatible LED dimmer switch is used. Check wiring connections (ensure power is off first).
Light is not bright enough.	Dimmer setting too low. Room size/lighting needs.	Adjust dimmer to maximum brightness. Consider adding additional lighting if the space requires more illumination.

If you encounter issues not listed here or if the problem persists after attempting the solutions, please contact EDISLIVE customer service for assistance.

9. WARRANTY AND SUPPORT

EDISLIVE is committed to providing quality products. If you have any quality issues or require installation assistance, please contact our customer service. We aim to respond within 48 hours.

For further support, visit the [EDISLIVE Store on Amazon](#).