

## SISESOL 4 Drawer-15"W Black

# SISESOL 4 Drawer File Cabinet User Manual

Model: 4 Drawer-15"W Black

Brand: SISESOL

## 1. PRODUCT OVERVIEW

---

The SISESOL 4 Drawer File Cabinet is a vertical metal filing solution designed for secure and organized storage of documents in home or office environments. This cabinet features four spacious drawers, a built-in lock system for security, and an anti-tip interlock system for enhanced safety.

### Key Features:

- **Secure Storage:** Equipped with a lock system and two keys to protect sensitive documents and valuables.
- **Anti-Tip Interlock System:** Allows only one drawer to be opened at a time, preventing the cabinet from tipping over.
- **Ample Storage Capacity:** Features removable hanging bars to accommodate letter, legal, and A4 size files in all drawers.
- **Full Extension Drawers:** Drawers glide smoothly on rails, allowing complete extension for easy access to contents.
- **Sturdy Construction:** Made from durable metal with anti-rust electrostatic spraying for long-lasting use.






Figure 1.1: The SISESOL 4 Drawer File Cabinet in black, with the bottom drawer extended to show file storage.

## 2. SAFETY INFORMATION

Please read and understand all safety instructions before assembling or using the file cabinet. Failure to follow these instructions may result in injury or damage to the product.

- To prevent tipping, do not overload the cabinet.
- Ensure the cabinet is stable and placed on a level surface before use.
- Keep the cabinet away from heat sources and direct sunlight.
- Do not place excessively heavy objects on top of the cabinet.
- Always open only one drawer at a time to maintain stability, especially when drawers are loaded. The anti-tip interlock system is designed to enforce this.
- Keep keys out of reach of children.



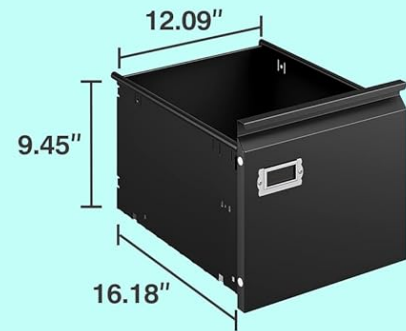
Ours	Others
Not easily deformed ✓	✗ Easily deformed
Insect infestation prevention ✓	✗ Easy to be bitten by termites
Moisture-proof & easy to clean ✓	✗ Easy to damp and mold
Advanced spray paint anti scratch ✓	✗ Easily scratched

Figure 2.1: Diagram illustrating the anti-tip interlock system, showing that only one drawer can be opened at a time to prevent the cabinet from falling forward.

### 3. COMPONENTS AND FEATURES

Familiarize yourself with the various components and features of your SISESOL file cabinet.

# PRODUCT DIMENSION



**Assembly Required**

Figure 3.1: Detailed view of the file cabinet highlighting key features: 1. Name Tag Holder, 2. Smooth Slide Rail, 3. Lock with 2 Keys, 4. 4pc Stand Feet, 5. Adjustable Hanging Bar.

## Drawer Functionality:

Each drawer is designed for full extension, allowing complete access to your files. The smooth-gliding rails ensure quiet operation. The adjustable hanging bar within each drawer can be configured to support various file sizes.



Figure 3.2: Close-up view of the adjustable hanging bar inside a drawer, demonstrating its flexibility for different file sizes (Letter, A4, Legal, B5/F4).

## 4. SETUP AND ASSEMBLY

Your SISESOL file cabinet requires assembly. All necessary parts are labeled, and clear instructions are provided to facilitate the process. Assembly typically takes approximately 30 minutes.

### Assembly Steps:

1. Unpack all components and verify against the parts list in your included manual.
2. Follow the step-by-step instructions provided in the assembly guide. Pay close attention to diagrams.
3. Ensure all screws and fasteners are securely tightened.
4. Install the smooth slide rails for each drawer, ensuring they are properly aligned for full extension.
5. Attach the stand feet to the base of the cabinet.
6. Insert the drawers into their respective slots. Ensure they slide smoothly and the anti-tip interlock system functions correctly.
7. Install the lock mechanism and test with the provided keys.

For visual assistance, an installation video may be available from the manufacturer. Please check the SISESOL official website or product page for video resources.



Figure 4.1: Diagram showing the product dimensions (15"W x 17.72"D x 50.12"H) and indicating that assembly is required, estimated at 30 minutes.

## 5. OPERATING INSTRUCTIONS

### Using the Drawers:

To open a drawer, gently pull the handle. The drawers are designed for full extension, allowing you to pull them out completely to access files at the back. To close, push the drawer firmly until it is fully seated. The smooth slide rails ensure quiet operation.



Figure 5.1: A SISESOL file cabinet in an office setting, demonstrating a user accessing files from an open drawer.

### **Locking Mechanism:**

The top drawer features a central locking mechanism that secures all four drawers simultaneously. Insert the key into the lock on the top drawer and turn it to lock or unlock the cabinet. Ensure all drawers are fully closed before attempting to lock the cabinet.

### **Anti-Tip Interlock System:**

This safety feature prevents more than one drawer from being opened at a time. If one drawer is open, the others will remain locked. This design significantly reduces the risk of the cabinet tipping forward, especially when drawers are heavily loaded. Do not attempt to force multiple drawers open simultaneously.



Figure 5.2: Two SISESOL 4-drawer file cabinets positioned side-by-side in an office, illustrating their functional integration into a workspace.

## 6. MAINTENANCE AND CARE

---

Proper maintenance will ensure the longevity and optimal performance of your SISESOL file cabinet.

- **Cleaning:** Wipe the exterior surfaces with a soft, damp cloth. Avoid abrasive cleaners or harsh chemicals that could damage the finish. The metal construction and electrostatic spraying make it easy to clean.
- **Drawer Rails:** Periodically check the drawer slide rails for any debris or obstructions. If drawers do not glide smoothly, clean the rails and apply a small amount of silicone lubricant if necessary.
- **Lock Mechanism:** Keep the lock mechanism clean and free of dust. Do not force the key if it feels stiff; a small amount of graphite lubricant can be applied if needed.
- **Stability:** Regularly check that the cabinet is stable and all feet are firmly on the ground.
- **Rust Prevention:** The cabinet features anti-rust electrostatic spraying. Avoid prolonged exposure to moisture to maintain this protection.

# ANTI-TIP INTERLOCK SYSTEM

Only allow **1** drawer to be opened at one time to prevent the cabinet from tipping over.

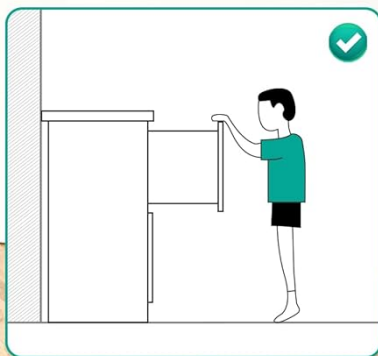
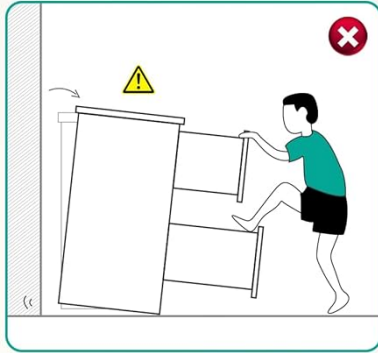


Figure 6.1: Comparison highlighting the durability benefits of the SISESOL metal cabinet, including resistance to deformation, insect infestation, moisture, and scratches, compared to other materials.

## 7. TROUBLESHOOTING

If you encounter issues with your SISESOL file cabinet, refer to the following common troubleshooting tips:

Problem	Possible Cause	Solution
Drawers do not open/close smoothly.	Misaligned rails, debris in rails, overloaded drawer.	Check rail alignment during assembly. Clean rails of any debris. Reduce drawer load.
Cabinet feels unstable or wobbly.	Uneven surface, loose assembly screws, overloaded.	Ensure cabinet is on a level surface. Tighten all assembly screws. Do not overload drawers.

Problem	Possible Cause	Solution
Lock mechanism not working.	Drawers not fully closed, key inserted incorrectly, lock mechanism obstructed.	Ensure all drawers are fully closed. Insert key completely and turn gently. Check for any obstructions in the lock.
Cannot open multiple drawers.	Anti-tip interlock system is engaged.	This is a safety feature. Only one drawer can be opened at a time. Close the currently open drawer to access others.

If you continue to experience issues after attempting these solutions, please contact SISESOL customer support for further assistance.

## 8. SPECIFICATIONS

---

Feature	Detail
Brand	SISESOL
Model	4 Drawer-15"W Black
Color	Black
Product Dimensions	17.72"D x 15"W x 50.12"H
Item Weight	62 Pounds
Material Type	Metal
Finish Type	Black (Electrostatic Spraying)
Number of Drawers	4
Lock Type	Key (Central Locking)
Special Features	Anti-Tipping, Lockable, Full Extension Drawers, Adjustable Hanging Bar
Assembly Required	Yes
Recommended Uses	Files & Folders
Room Type	Home, Office, Study

## 9. WARRANTY AND SUPPORT

---

SISESOL is committed to providing high-quality products. While specific warranty details are not included in this manual, please retain your proof of purchase. For any product inquiries, technical support, or warranty claims, please contact SISESOL customer service through the official SISESOL website or the retailer where the product was purchased.

For additional information and resources, visit the official SISESOL store: [SISESOL Store on Amazon](#)

