



Manuals.plus /

› Raganet /

› Raganet HG090 3-Bottle Storage Rack Instruction Manual

Raganet HG090

Raganet HG090 3-Bottle Storage Rack Instruction Manual

Model: HG090

INTRODUCTION

This manual provides comprehensive instructions for the assembly, safe use, and proper care of your Raganet HG090 3-Bottle Storage Rack. This sturdy, white stainless steel rack is designed to efficiently store three 1.5L water bottles, offering an organized and space-saving solution for various environments such as kitchens, offices, or living areas. Please read this manual thoroughly before assembly and use to ensure optimal performance and safety.

SAFETY INFORMATION

- Always ensure all components are securely fastened during assembly and before placing bottles on the rack.
- Do not exceed the maximum weight capacity of 100 kg (approximately 220 lbs) to prevent structural damage or collapse.
- Place the storage rack on a flat, stable, and level surface to prevent tipping and ensure stability.
- Keep the rack away from direct heat sources or open flames.
- Supervise children and pets around the rack, especially when loaded with bottles.

PACKAGE CONTENTS

Before beginning assembly, please verify that all parts listed below are present and undamaged. If any parts are missing or damaged, please contact Raganet customer support.

- Main Frame Components (Vertical and Horizontal Bars)
- Bottle Support Bars (Curved pieces for holding bottles)
- Screws/Fasteners
- Allen Wrench (for assembly)
- Rubber Feet/Protectors

Ahorra espacio y gana practicidad.
Tu cocina lucirá más organizada.

Cocina desordenada, sin espacio
y poco estético.



Con nuestro Rack



Sin Rack

Práctico

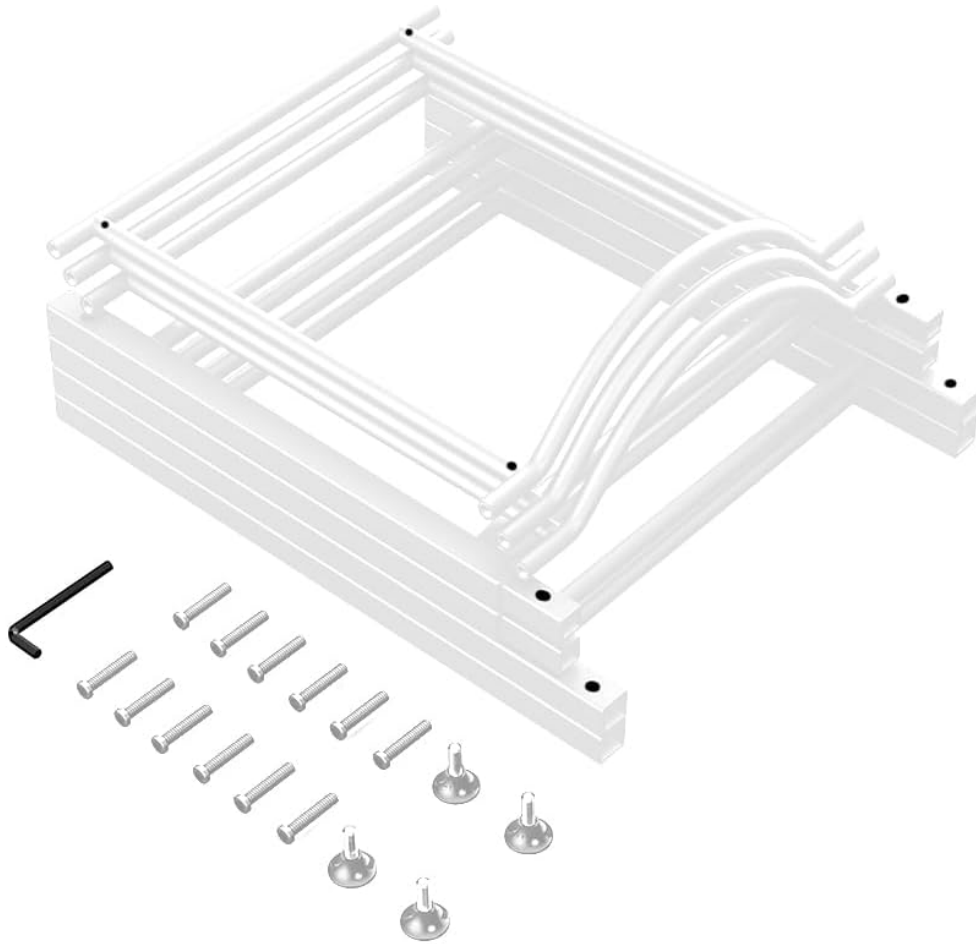
Ahorro de espacio: puedes almacenar hasta 3 garrafones de agua.
Se ajusta a todos los espacios gracias a su estructura vertical.
Organiza y mantén siempre limpia tu casa, cocina u oficina.

Figure 1: Exploded view of rack components, including frame parts, fasteners, and assembly tool.

ASSEMBLY INSTRUCTIONS

The Raganet HG090 storage rack is designed for quick and easy assembly without requiring additional tools beyond what is provided. Follow these steps:

1. Unpack all components and lay them out on a clean, flat surface. Refer to Figure 1 to identify all parts.
2. Attach the rubber feet to the bottom of the vertical frame bars. These feet provide stability and prevent scratching surfaces.
3. Connect the horizontal support bars to the vertical frame bars using the provided screws and Allen wrench. Ensure all connections are firm but do not overtighten.
4. Install the curved bottle support bars into their designated slots on the frame. These should align to create three tiers for bottles.
5. Once all parts are connected, gently shake the rack to ensure it is stable. Tighten any loose screws if necessary.



Armado

Rápido proceso de instalación que no requiere herramientas adicionales. La estructura es fácil de montar y desmontar.

Figure 2: Key features of the rack, including rubber feet and carbon steel construction.

OPERATING INSTRUCTIONS

Once assembled, the Raganet HG090 rack is ready for use. It is designed to hold three standard 1.5L water bottles securely.

- Carefully place each water bottle onto the curved support bars. Start from the bottom tier and work your way up for better stability.
- Ensure bottles are seated properly within the curved supports to prevent rolling or falling.
- The rack is suitable for kitchens, offices, living rooms, or any area where organized water bottle storage is desired.

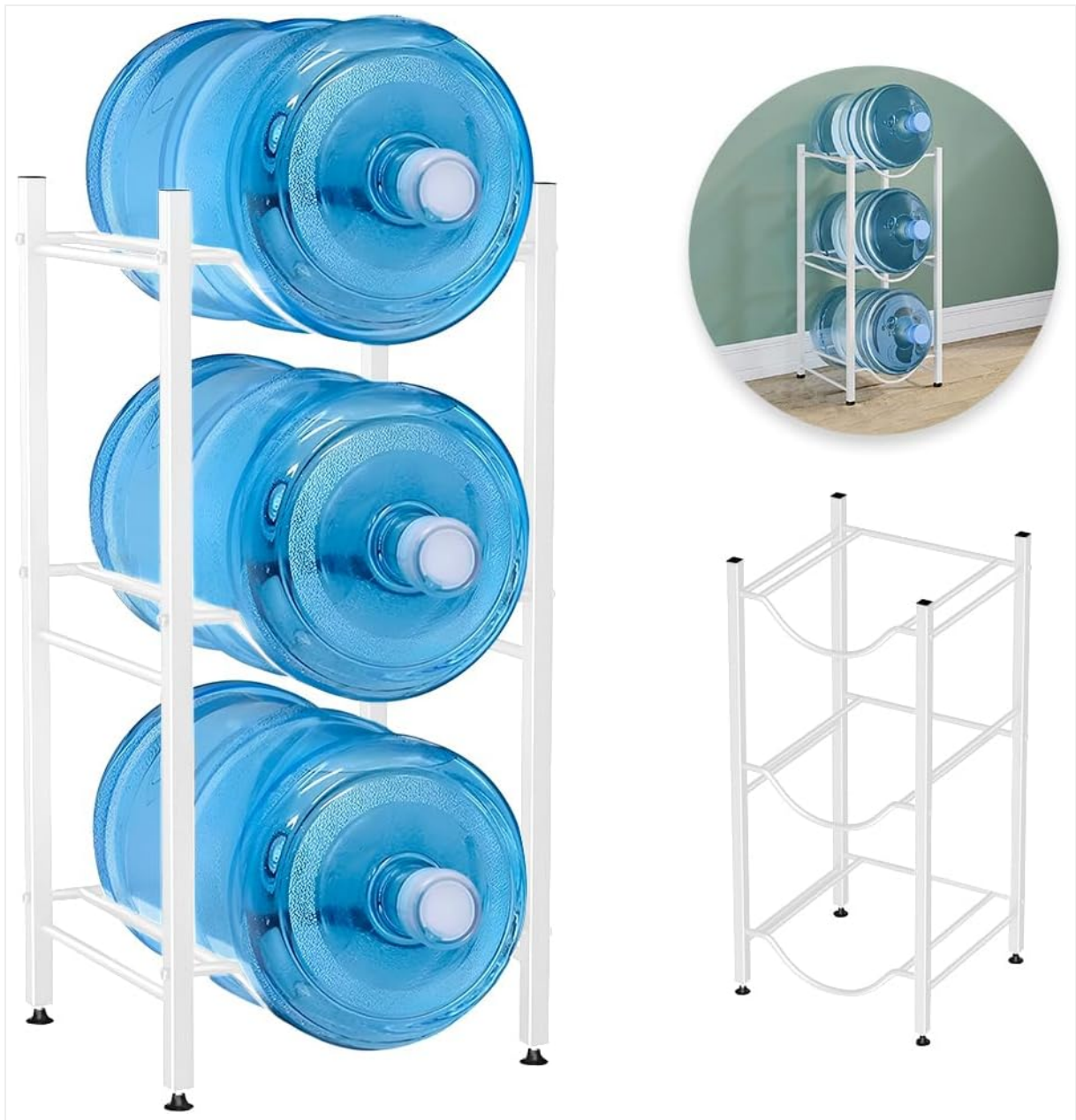


Figure 3: The Raganet HG090 rack fully loaded with three water bottles.



Ideal

Estante de 3 niveles con diseño moderno.
Adecuado para la cocina, sala de descanso y oficina.

Figure 4: Illustrating the space-saving benefits of the rack in a typical setting.

MAINTENANCE

To ensure the longevity and appearance of your Raganet HG090 storage rack, follow these simple maintenance guidelines:

- **Cleaning:** Wipe the rack regularly with a soft, damp cloth. For stubborn stains, a mild soap solution can be used, followed by drying with a clean cloth. Avoid abrasive cleaners or scouring pads, which can damage the lacquered finish.
- **Inspection:** Periodically check all screws and connections to ensure they remain tight. Retighten if necessary.
- **Placement:** Avoid placing the rack in areas with excessive moisture or direct sunlight for prolonged periods, as this may affect the finish over time.

TROUBLESHOOTING

The Raganet HG090 3-Bottle Storage Rack is a simple, robust product. Most issues can be resolved by ensuring

correct assembly and placement.

- **Rack is wobbly:** Ensure all screws are fully tightened. Verify the rack is placed on a flat, level surface. Adjust the rubber feet if they are uneven.
- **Bottles do not fit:** This rack is designed for standard 1.5L water bottles. Ensure your bottles match this size. Do not force bottles into the rack.
- **Scratches on floor:** Ensure all rubber feet are properly installed and intact. Replace any damaged feet if necessary.

SPECIFICATIONS

Model Number	HG090
Brand	Raganet
Material	Stainless Steel
Color	White
Product Dimensions (D x W x H)	13.78" x 13.78" x 27.56" (34cm x 34cm x 75cm)
Shelf Type	Tiered Shelf
Number of Shelves	3
Weight Capacity	100 kg (220 lbs)
Assembly Required	Yes
Mounting Type	Floor Mount
Finish Type	Lacquered

Características



Patas de goma de gran estabilidad



Tubo de acero al carbono con protectores de goma



Estructura resistente



Soporta un peso de hasta 100 kg



Capacidad para 3 garrafones



Fácil de armar y desmontar

Figure 5: Dimensional overview of the Raganet HG090 rack.

WARRANTY AND SUPPORT

This product is manufactured by Raganet. For any warranty claims, technical support, or inquiries regarding your Raganet HG090 3-Bottle Storage Rack, please contact the seller or manufacturer directly through your purchase platform. Please retain your proof of purchase for warranty purposes.