

[Manuals.plus](#) /

> [ZJWZJH](#) /

> ZJWZJH 30mm Latching Push Button Switch User Manual

## ZJWZJH J30-371BD-N 24V

# Instruction Manual: 30mm Latching Push Button Switch

Brand: ZJWZJH

## INTRODUCTION

This manual provides comprehensive instructions for the installation, operation, and maintenance of your ZJWZJH 30mm Latching Push Button Switch. This high-quality switch features a large head, blue LED light, and is constructed from durable stainless steel, offering IP67 waterproof protection. It is designed for various industrial and general applications requiring a reliable latching mechanism.

The switch operates as a latching type: press once to turn ON, press again to turn OFF. It comes with a convenient wire connector socket for easy installation without soldering.

## SAFETY INFORMATION

- **Current Limit:** Ensure the current in your circuit does not exceed 5 Amps. Exceeding this limit can cause the switch to overheat and potentially burn out.
- **Water Resistance:** These switches are designed with a rubber O-ring for splash resistance (IP67 rated). However, they are *not* designed to be submerged underwater. Avoid prolonged submersion to prevent damage.
- **Electrical Installation:** Installation should be performed by qualified personnel or with proper knowledge of electrical wiring to prevent electric shock or damage to the device. Always disconnect power before installation or maintenance.

## PACKAGE CONTENTS

Upon opening the package, please verify that all the following components are included:

- 1 x 30mm Latching Push Button Switch (Blue LED, 24V)
- 1 x Wire Connector Socket (with 150mm/5.9" wire)
- 1 x Spare Contact (for DPDT conversion)

## SPECIFICATIONS

Feature	Specification
Model Number	J30-371BD-N 24V
Head Diameter	33.8mm (1.33")
Mounting Hole Size	30mm (1.18")
Total Length	40.6mm (1.6")
Switch Combination	1NO1NC (SPDT) default, convertible to 2NO2NC (DPDT) with spare contact
Switch Rating	5A/250VAC
LED Rating	15mA, AC/DC 24V
LED Life	40,000 hours
Head Shape	Flat
Head Material	316 Stainless Steel
Enclosure Material	304 Stainless Steel
Protection Level	IP67 (Waterproof), IK10 (Impact Resistant)
Mechanical Life	1,000,000 cycles
Electrical Life	100,000 cycles
Operating Temperature	-25°C to +55°C
Insulation Resistance	100MΩ 500VDC
Contact Material	Gold plated silver



Mounting Hole: 30mm (1.18")

Structure: 1NO1NC/2NO2NC

Protection Degree: IP67 waterproof

Mechanical life: 1,000,000 Cycles

Electrical life: 100,000 Cycles

Lamp Color: ●●●●●

Shell Material: Stainless Steel 304

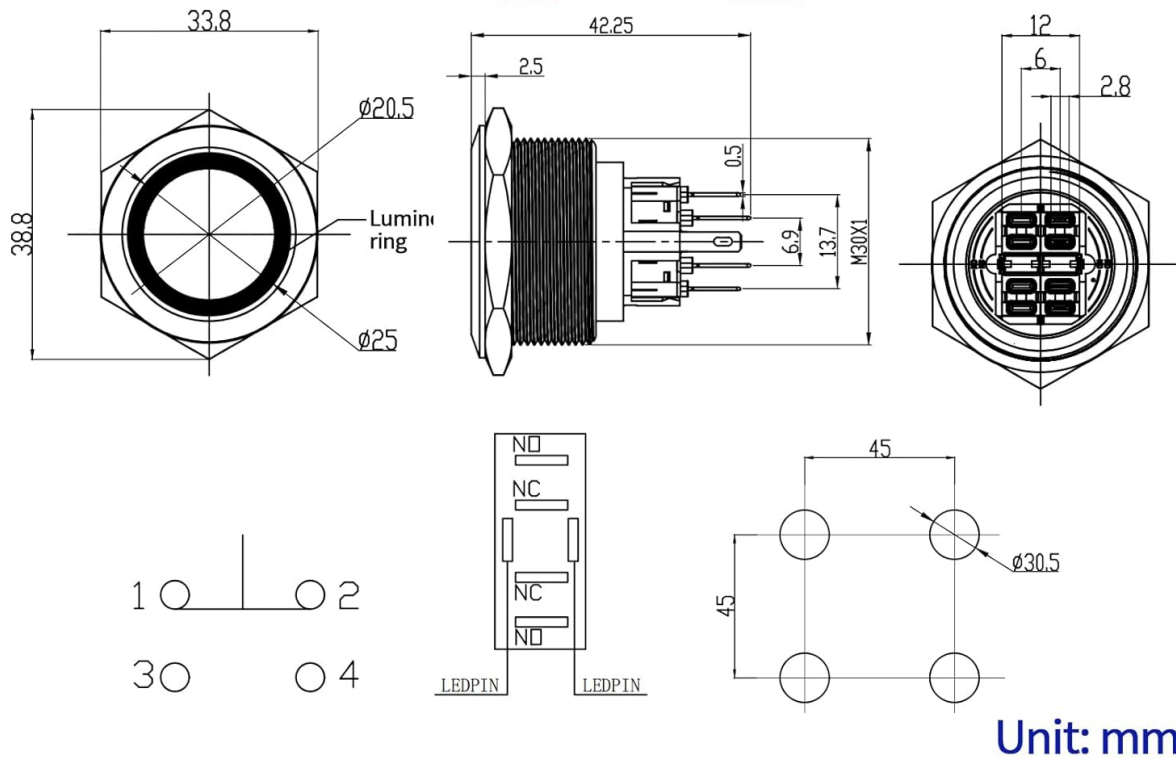
LED Life: 40,000 hours

LED Rating: 24 VDC/AC

Rated current: 5A 250V AC

## Latching

- Press the button and the switch will turn **ON**; When the button is pressed again, the switch **off**, LED light **Off**.



Unit: mm

Figure 1: Detailed technical drawing showing the dimensions and internal structure of the switch, including mounting hole size (30mm) and overall length.

**ISSET S.r.l. Unipersonale**  
 Sede Legale e S.p.A.  
 Via Donatori di Sangue n. 4024 (Mugello) - 50020  
 Via S. Maria Maddalena n. 100 - 50020  
 Via S. Maria Maddalena n. 100 - 50020  
 Via S. Maria Maddalena n. 100 - 50020

**CERTIFICATE**  
 Certificat - Certificado - Zertifikat - 證書

1) **APPLICANT:** (who finally pays the product on the market)  
**WENZHOU JINSHENG ELECTRICAL APPLIANCE CO.LTD**  
 No. 10 Yuyang Road, Chaoqing (Zhejiang) Industrial Area, Yueqing City, Zhejiang Province.

2) **CERTIFICATE NO.:** ISET/02/002016099

3) **TECHNICAL REFERENCE:** TCC-GCC-T8201-486-466

4) **CAUTION ABOUT CE MARKING:** (instruction for the Applicant who puts the product on the EU market):  
 The label of the CE Marking on the left side should be not less than 7mm height. CE Marking and EC Declaration of Conformity are done by the manufacturer or its applicant who puts the product on the market. This one is responsible to start the CE marking and certification procedure as required by the legislation in force. Only for the products which are comprehensively included into specific Directives or Regulations will be necessary to appoint a Notified Body.

5) **TYPE OF PRODUCT:** Metal Push Button Switch

6) **LIST OF DIRECTIVE(S) REGULATIONS/STANDARDS** (as declared by the manufacturer itself)  
 Low Voltage Directive 2014/35/EU, Electromagnetic Compatibility Directive 2014/53/EU  
 EN ISO 12190:2019, EN 60094-1:2018, EN ISO 13849-1:2015  
 EN 61964-1:2013, EN 61964-2:2019

7) **NOTE:** This document is not referred to any evaluation that could be considered as included in the scope of the activities covered by the standard BS EN ISO/IEC 17065:2012 or European Regulation 765/2008.

8) **REMARKS:** Certificate is issued on voluntary application from the Client and it gives to the applicant the right to use and affix the ISET Mark on their products, even if it doesn't imply any assessment on the safety and compliance of the product. ISET declares that the only scope of the assessment is to verify the existence of the declaration issued by the manufacturer or an applicant under its own responsibilities.

9) **DATE OF ISSUE:** 09/04/2021

10) **SIGNATURE:**

**EXPIRY DATE:** 08/04/2026

**ISSET S.r.l.**

**ISSET S.r.l. Unipersonale**  
 Sede Legale e S.p.A.  
 Via Donatori di Sangue n. 4024 (Mugello) - 50020  
 Via S. Maria Maddalena n. 100 - 50020  
 Via S. Maria Maddalena n. 100 - 50020  
 Via S. Maria Maddalena n. 100 - 50020

**ANNEX I**

361,362,363,364,365,366,367,368,369,370,371,372,373,374,375,376,377,378,379,380,381,382,383,384,385,386,387,388,389,390,391,392,393,394,395,396,397,398,399,400,401,402,403,404,405,406,407,408,409,410,411,412,413,414,415,416,417,418,419,420,421,422,423,424,425,426,427,428,429,430,431,432,433,434,435,436,437,438,439,440,441,442,443,444,445,446,447,448,449,450,451,452,453,454,455,456,457,458,459,460,461,462,463,464,465,466,467,468,469,470,471,472,473,474,475,476,477,478,479,480,481,482,483,484,485,486,487,488,489,490,491,492,493,494,495,496,497,498,499,500,501,502,503,504,505,506,507,508,509,510,511,512,513,514,515,516,517,518,519,520,521,522,523,524,525,526,527,528,529,530,531,532,533,534,535,536,537,538,539,540,541,542,543,544,545,546,547,548,549,550,551,552,553,554,555,556,557,558,559,560,561,562,563,564,565,566,567,568,569,570,571,572,573,574,575,576,577,578,579,580,581,582,583,584,585,586,587,588,589,590,591,592,593,594,595,596,597,598,599,600,601,602,603,604,605,606,607,608,609,610,611,612,613,614,615,616,617,618,619,620,621,622,623,624,625,626,627,628,629,630,631,632,633,634,635,636,637,638,639,640,641,642,643,644,645,646,647,648,649,650,651,652,653,654,655,656,657,658,659,660,661,662,663,664,665,666,667,668,669,670,671,672,673,674,675,676,677,678,679,680,681,682,683,684,685,686,687,688,689,690,691,692,693,694,695,696,697,698,699,700,701,702,703,704,705,706,707,708,709,710,711,712,713,714,715,716,717,718,719,720,721,722,723,724,725,726,727,728,729,730,731,732,733,734,735,736,737,738,739,740,741,742,743,744,745,746,747,748,749,750,751,752,753,754,755,756,757,758,759,760,761,762,763,764,765,766,767,768,769,770,771,772,773,774,775,776,777,778,779,780,781,782,783,784,785,786,787,788,789,790,791,792,793,794,795,796,797,798,799,800,801,802,803,804,805,806,807,808,809,810,811,812,813,814,815,816,817,818,819,820,821,822,823,824,825,826,827,828,829,830,831,832,833,834,835,836,837,838,839,840,841,842,843,844,845,846,847,848,849,850,851,852,853,854,855,856,857,858,859,860,861,862,863,864,865,866,867,868,869,870,871,872,873,874,875,876,877,878,879,880,881,882,883,884,885,886,887,888,889,890,891,892,893,894,895,896,897,898,899,900,901,902,903,904,905,906,907,908,909,910,911,912,913,914,915,916,917,918,919,920,921,922,923,924,925,926,927,928,929,930,931,932,933,934,935,936,937,938,939,940,941,942,943,944,945,946,947,948,949,950,951,952,953,954,955,956,957,958,959,960,961,962,963,964,965,966,967,968,969,970,971,972,973,974,975,976,977,978,979,980,981,982,983,984,985,986,987,988,989,990,991,992,993,994,995,996,997,998,999,1000

**ISSET S.r.l. Unipersonale**  
 Sede Legale e S.p.A.  
 Via Donatori di Sangue n. 4024 (Mugello) - 50020  
 Via S. Maria Maddalena n. 100 - 50020  
 Via S. Maria Maddalena n. 100 - 50020  
 Via S. Maria Maddalena n. 100 - 50020

**ANNEX II**

122-C-311,122-C-312,122-C-313,122-C-314,122-C-315,122-C-316,122-C-317,122-C-318,122-C-319,122-C-320,122-C-321,122-C-322,122-C-323,122-C-324,122-C-325,122-C-326,122-C-327,122-C-328,122-C-329,122-C-330,122-C-331,122-C-332,122-C-333,122-C-334,122-C-335,122-C-336,122-C-337,122-C-338,122-C-339,122-C-340,122-C-341,122-C-342,122-C-343,122-C-344,122-C-345,122-C-346,122-C-347,122-C-348,122-C-349,122-C-350,122-C-351,122-C-352,122-C-353,122-C-354,122-C-355,122-C-356,122-C-357,122-C-358,122-C-359,122-C-360,122-C-361,122-C-362,122-C-363,122-C-364,122-C-365,122-C-366,122-C-367,122-C-368,122-C-369,122-C-370,122-C-371,122-C-372,122-C-373,122-C-374,122-C-375,122-C-376,122-C-377,122-C-378,122-C-379,122-C-380,122-C-381,122-C-382,122-C-383,122-C-384,122-C-385,122-C-386,122-C-387,122-C-388,122-C-389,122-C-390,122-C-391,122-C-392,122-C-393,122-C-394,122-C-395,122-C-396,122-C-397,122-C-398,122-C-399,122-C-400,122-C-401,122-C-402,122-C-403,122-C-404,122-C-405,122-C-406,122-C-407,122-C-408,122-C-409,122-C-410,122-C-411,122-C-412,122-C-413,122-C-414,122-C-415,122-C-416,122-C-417,122-C-418,122-C-419,122-C-420,122-C-421,122-C-422,122-C-423,122-C-424,122-C-425,122-C-426,122-C-427,122-C-428,122-C-429,122-C-430,122-C-431,122-C-432,122-C-433,122-C-434,122-C-435,122-C-436,122-C-437,122-C-438,122-C-439,122-C-440,122-C-441,122-C-442,122-C-443,122-C-444,122-C-445,122-C-446,122-C-447,122-C-448,122-C-449,122-C-450,122-C-451,122-C-452,122-C-453,122-C-454,122-C-455,122-C-456,122-C-457,122-C-458,122-C-459,122-C-460,122-C-461,122-C-462,122-C-463,122-C-464,122-C-465,122-C-466,122-C-467,122-C-468,122-C-469,122-C-470,122-C-471,122-C-472,122-C-473,122-C-474,122-C-475,122-C-476,122-C-477,122-C-478,122-C-479,122-C-480,122-C-481,122-C-482,122-C-483,122-C-484,122-C-485,122-C-486,122-C-487,122-C-488,122-C-489,122-C-490,122-C-491,122-C-492,122-C-493,122-C-494,122-C-495,122-C-496,122-C-497,122-C-498,122-C-499,122-C-500,122-C-501,122-C-502,122-C-503,122-C-504,122-C-505,122-C-506,122-C-507,122-C-508,122-C-509,122-C-510,122-C-511,122-C-512,122-C-513,122-C-514,122-C-515,122-C-516,122-C-517,122-C-518,122-C-519,122-C-520,122-C-521,122-C-522,122-C-523,122-C-524,122-C-525,122-C-526,122-C-527,122-C-528,122-C-529,122-C-530,122-C-531,122-C-532,122-C-533,122-C-534,122-C-535,122-C-536,122-C-537,122-C-538,122-C-539,122-C-540,122-C-541,122-C-542,122-C-543,122-C-544,122-C-545,122-C-546,122-C-547,122-C-548,122-C-549,122-C-550,122-C-551,122-C-552,122-C-553,122-C-554,122-C-555,122-C-556,122-C-557,122-C-558,122-C-559,122-C-560,122-C-561,122-C-562,122-C-563,122-C-564,122-C-565,122-C-566,122-C-567,122-C-568,122-C-569,122-C-570,122-C-571,122-C-572,122-C-573,122-C-574,122-C-575,122-C-576,122-C-577,122-C-578,122-C-579,122-C-580,122-C-581,122-C-582,122-C-583,122-C-584,122-C-585,122-C-586,122-C-587,122-C-588,122-C-589,122-C-590,122-C-591,122-C-592,122-C-593,122-C-594,122-C-595,122-C-596,122-C-597,122-C-598,122-C-599,122-C-600,122-C-601,122-C-602,122-C-603,122-C-604,122-C-605,122-C-606,122-C-607,122-C-608,122-C-609,122-C-610,122-C-611,122-C-612,122-C-613,122-C-614,122-C-615,122-C-616,122-C-617,122-C-618,122-C-619,122-C-620,122-C-621,122-C-622,122-C-623,122-C-624,122-C-625,122-C-626,122-C-627,122-C-628,122-C-629,122-C-630,122-C-631,122-C-632,122-C-633,122-C-634,122-C-635,122-C-636,122-C-637,122-C-638,122-C-639,122-C-640,122-C-641,122-C-642,122-C-643,122-C-644,122-C-645,122-C-646,122-C-647,122-C-648,122-C-649,122-C-650,122-C-651,122-C-652,122-C-653,122-C-654,122-C-655,122-C-656,122-C-657,122-C-658,122-C-659,122-C-660,122-C-661,122-C-662,122-C-663,122-C-664,122-C-665,122-C-666,122-C-667,122-C-668,122-C-669,122-C-670,122-C-671,122-C-672,122-C-673,122-C-674,122-C-675,122-C-676,122-C-677,122-C-678,122-C-679,122-C-680,122-C-681,122-C-682,122-C-683,122-C-684,122-C-685,122-C-686,122-C-687,122-C-688,122-C-689,122-C-690,122-C-691,122-C-692,122-C-693,122-C-694,122-C-695,122-C-696,122-C-697,122-C-698,122-C-699,122-C-700,122-C-701,122-C-702,122-C-703,122-C-704,122-C-705,122-C-706,122-C-707,122-C-708,122-C-709,122-C-710,122-C-711,122-C-712,122-C-713,122-C-714,122-C-715,122-C-716,122-C-717,122-C-718,122-C-719,122-C-720,122-C-721,122-C-722,122-C-723,122-C-724,122-C-725,122-C-726,122-C-727,122-C-728,122-C-729,122-C-730,122-C-731,122-C-732,122-C-733,122-C-734,122-C-735,122-C-736,122-C-737,122-C-738,122-C-739,122-C-740,122-C-741,122-C-742,122-C-743,122-C-744,122-C-745,122-C-746,122-C-747,122-C-748,122-C-749,122-C-750,122-C-751,122-C-752,122-C-753,122-C-754,122-C-755,122-C-756,122-C-757,122-C-758,122-C-759,122-C-760,122-C-761,122-C-762,122-C-763,122-C-764,122-C-765,122-C-766,122-C-767,122-C-768,122-C-769,122-C-770,122-C-771,122-C-772,122-C-773,122-C-774,122-C-775,122-C-776,122-C-777,122-C-778,122-C-779,122-C-780,122-C-781,122-C-782,122-C-783,122-C-784,122-C-785,122-C-786,122-C-787,122-C-788,122-C-789,122-C-790,122-C-791,122-C-792,122-C-793,122-C-794,122-C-795,122-C-796,122-C-797,122-C-798,122-C-799,122-C-800,122-C-801,122-C-802,122-C-803,122-C-804,122-C-805,122-C-806,122-C-807,122-C-808,122-C-809,122-C-810,122-C-811,122-C-812,122-C-813,122-C-814,122-C-815,122-C-816,122-C-817,122-C-818,122-C-819,122-C-820,122-C-821,122-C-822,122-C-823,122-C-824,122-C-825,122-C-826,122-C-827,122-C-828,122-C-829,122-C-830,122-C-831,122-C-832,122-C-833,122-C-834,122-C-835,122-C-836,122-C-837,122-C-838,122-C-839,122-C-840,122-C-841,122-C-842,122-C-843,122-C-844,122-C-845,122-C-846,122-C-847,122-C-848,122-C-849,122-C-850,122-C-851,122-C-852,122-C-853,122-C-854,122-C-855,122-C-856,122-C-857,122-C-858,122-C-859,122-C-860,122-C-861,122-C-862,122-C-863,122-C-864,122-C-865,122-C-866,122-C-867,122-C-868,122-C-869,122-C-870,122-C-871,122-C-872,122-C-873,122-C-874,122-C-875,122-C-876,122-C-877,122-C-878,122-C-879,122-C-880,122-C-881,122-C-882,122-C-883,122-C-884,122-C-885,122-C-886,122-C-887,122-C-888,122-C-889,122-C-890,122-C-891,122-C-892,122-C-893,122-C-894,122-C-895,122-C-896,122-C-897,122-C-898,122-C-899,122-C-900,122-C-901,122-C-902,122-C-903,122-C-904,122-C-905,122-C-906,122-C-907,122-C-908,122-C-909,122-C-910,122-C-911,122-C-912,122-C-913,122-C-914,122-C-915,122-C-916,122-C-917,122-C-918,122-C-919,122-C-920,122-C-921,122-C-922,122-C-923,122-C-924,122-C-925,122-C-926,122-C-927,122-C-928,122-C-929,122-C-930,122-C-931,122-C-932,122-C-933,122-C-934,122-C-935,122-C-936,122-C-937,122-C-938,122-C-939,122-C-940,122-C-941,122-C-942,122-C-943,122-C-944,122-C-945,122-C-946,122-C-947,122-C-948,122-C-949,122-C-950,122-C-951,122-C-952,122-C-953,122-C-954,122-C-955,122-C-956,122-C-957,122-C-958,122-C-959,122-C-960,122-C-961,122-C-962,122-C-963,122-C-964,122-C-965,122-C-966,122-C-967,122-C-968,122-C-969,122-C-970,122-C-971,122-C-972,122-C-973,122-C-974,122-C-975,122-C-976,122-C-977,122-C-978,122-C-979,122-C-980,122-C-981,122-C-982,122-C-983,122-C-984,122-C-985,122-C-986,122-C-987,122-C-988,122-C-989,122-C-990,122-C-991,122-C-992,122-C-993,122-C-994,122-C-995,122-C-996,122-C-997,122-C-998,122-C-999,1000

**CE** The product has passed **CE** certification.

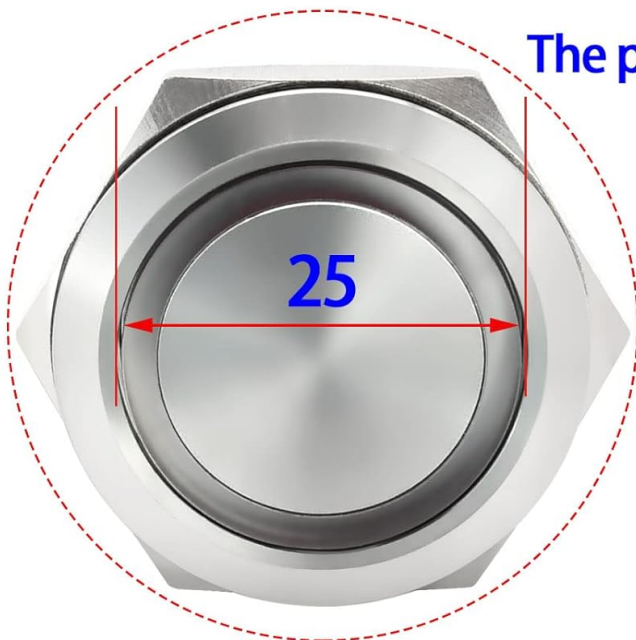
**Working temperature:**  
 -25 ° ~ +55°C

**Insulation Resistance:**  
 100MΩ 500VDC

**Contact: gold plated silver**



Figure 2: The product has passed CE certification, ensuring compliance with European safety, health, and environmental protection requirements.



The pressing surface is very large

Mounting hole: 30mm /1.18"  
Push surface: **25mm/0.98"**



surface: **26.5mm/1.04"**

Figure 3: The switch features a large pressing surface of 25mm (0.98"), providing comfortable and easy operation. A US dollar coin is shown for size comparison.

## SETUP AND INSTALLATION

The ZJWZJH push button switch is designed for straightforward installation. Follow these steps for proper setup:

1. **Prepare Mounting Hole:** Drill a 30mm (1.18") diameter hole in your panel or enclosure where the switch will be mounted.
2. **Insert Switch:** Insert the switch body through the mounting hole from the front.
3. **Secure with Nut:** Thread the included securing nut onto the switch body from the rear and tighten it to hold the switch firmly in place.
4. **Connect Wiring:** Utilize the provided wire connector socket. This socket eliminates the need for soldering, making installation significantly easier and safer. Simply plug the switch terminals into the corresponding pins on the socket. The 150mm (5.9") wire leads from the socket can then be connected to your circuit.
5. **Optional DPDT Conversion:** The switch comes configured as 1NO1NC (SPDT). If your application requires a 2NO2NC (DPDT) configuration, you can easily add the included spare contact. Refer to Figure 4 for visual guidance.



Figure 4: Instructions for converting the switch from its default 1NO1NC (SPDT) configuration to 2NO2NC (DPDT) by installing the provided spare contact. This increases the number of independent circuits the switch can control.

## OPERATING INSTRUCTIONS

This is a **latching** type push button switch. Its operation is as follows:

- **To Turn ON:** Press the button once. The switch will engage and remain in the ON position. The integrated blue LED light will illuminate, indicating the switch is active.
- **To Turn OFF:** Press the button again. The switch will disengage and return to the OFF position. The blue LED light will turn off.



Figure 5: The ZJWZJH 30mm Latching Push Button Switch with its blue LED illuminated, demonstrating its active state. The included wire connector socket is also visible.

## MAINTENANCE

The ZJWZJH Latching Push Button Switch is designed for durability and requires minimal maintenance. To ensure its longevity and optimal performance:

- **Cleaning:** Periodically wipe the switch surface with a soft, damp cloth to remove dust or grime. Avoid using abrasive cleaners or solvents that could damage the stainless steel finish or the LED lens.
- **Inspection:** Regularly inspect the wiring connections to ensure they are secure and free from corrosion. Check the switch body for any signs of physical damage.
- **Environmental Protection:** While IP67 rated for splash resistance, avoid exposing the switch to harsh chemicals or extreme temperatures beyond its specified operating range.

## TROUBLESHOOTING

If you encounter issues with your switch, consider the following common troubleshooting steps:

- **Switch Not Activating:**
  - Check all wiring connections for looseness or incorrect polarity.

- Verify that the power supply to the switch is active and within the specified voltage range (24V AC/DC).
- Ensure the current in the circuit does not exceed 5 Amps, as excessive current can prevent proper operation or cause damage.
- **LED Not Lighting Up:**
  - Confirm the LED's voltage rating (24V) matches your power supply.
  - Check the LED's specific wiring connections for correct polarity and secure contact.
  - The LED has a life expectancy of 40,000 hours; if it has been in continuous use for an extended period, it may have reached the end of its life.
- **Switch Feels Stiff or Sticky:**
  - Ensure the mounting nut is not overtightened, which can impede button movement.
  - Clean any debris or foreign material from around the button mechanism.

## APPLIED RANGE

---

This versatile latching push button switch is suitable for a wide array of applications, including but not limited to:

- Electromagnetic starters
- Relay controls
- Doorbell systems
- Horn button switches
- PC power switches
- Automotive applications (e.g., car dashboards, custom vehicle controls)
- Marine applications (e.g., boat controls)
- Industrial machinery and equipment

## Applied Range



Figure 6: Visual examples of the diverse applications where the ZJWZJH push button switch can be effectively utilized, from vehicle interiors to marine vessels and heavy-duty trucks.

## WARRANTY AND CUSTOMER SUPPORT

**Warranty:** ZJWZJH offers a 3-year warranty for this product. If the switch experiences non-man-made breakage within three years of purchase, you are eligible for a replacement.

**Customer Support:** If you have any questions, concerns, or require assistance with your ZJWZJH push button switch, please do not hesitate to contact us via E-mail at any time. Our professional customer service staff and technicians are available to provide support.

For further assistance, please refer to the contact information provided with your purchase or visit the official ZJWZJH store on Amazon: [ZJWZJH Amazon Store](#).