



Manuals.plus /

› DHP /

› DHP Mainstays Premium Twin Over Full Metal Bunk Bed Instruction Manual

DHP 5563096WE

DHP Mainstays Premium Twin Over Full Metal Bunk Bed Instruction Manual

Model: 5563096WE

1. INTRODUCTION

This manual provides detailed instructions for the assembly, safe use, and maintenance of your DHP Mainstays Premium Twin Over Full Metal Bunk Bed. Please read all instructions carefully before assembly and retain this manual for future reference. This bunk bed features a sturdy metal frame, an easy-to-climb angled ladder, and full-length guard rails for safety. It accommodates one twin-size mattress on the top bunk and one full-size mattress on the bottom bunk (mattresses not included).

2. SAFETY INFORMATION

- **WARNING:** Bunk beds can present a serious hazard. Follow all safety warnings and instructions carefully.
- **Age Restriction:** The top bunk is not suitable for children under 6 years of age.
- **Weight Capacity:** The top bunk has a maximum weight capacity of 200 lbs. The bottom bunk has a maximum weight capacity of 450 lbs. Do not exceed these limits.
- **Guard Rails:** Always use the guard rails on both sides of the top bunk. Ensure they are properly installed and secured.
- **Mattress Requirements:** The maximum mattress thickness for the top bunk should not exceed 6 inches to ensure the guard rails are effective. Use only mattresses that are 75 inches long and 39 inches wide for the twin bunk, and 75 inches long and 54 inches wide for the full bunk.
- **No Jumping:** Do not allow jumping on the bed.
- **Ladder Safety:** Always use the ladder for entering and exiting the top bunk. Ensure the ladder is securely attached.
- **Ventilation:** Ensure adequate air circulation around the bed.
- **Assembly:** This product requires adult assembly. Two people are recommended for safe and efficient

assembly.

- **Regular Checks:** Periodically check and ensure that all connectors are tight.

3. PACKAGE CONTENTS

Before beginning assembly, ensure all parts are present and undamaged. If any parts are missing or damaged, do not proceed with assembly. Contact customer support for assistance.

- Metal frame components (headboards, footboards, side rails, support beams)
- Ladder components
- Guard rails
- Metal slats for mattress support
- Hardware pack (bolts, nuts, washers, Allen wrench)
- Instruction manual

4. SETUP AND ASSEMBLY

Assembly is required and can be completed with the included tools. For optimal safety and ease, two adults are recommended for assembly. Follow the step-by-step diagrams provided in your physical manual for detailed instructions. Ensure all bolts are tightened securely before use.

General Assembly Steps:

1. Unpack all components and lay them out on a clean, soft surface to prevent scratching.
2. Assemble the headboards and footboards for both the twin and full beds.
3. Attach the side rails to form the bed frames.
4. Install the metal slats onto both the twin and full bed frames, ensuring they are evenly spaced and secured.
5. Connect the top twin bunk frame to the bottom full bunk frame using the designated support posts and hardware.
6. Attach the ladder securely to the top bunk.
7. Install the full-length guard rails on the top bunk.
8. Double-check all connections and tighten any loose bolts.



Image: Fully assembled DHP Mainstays Premium Twin Over Full Metal Bunk Bed in a bedroom environment.

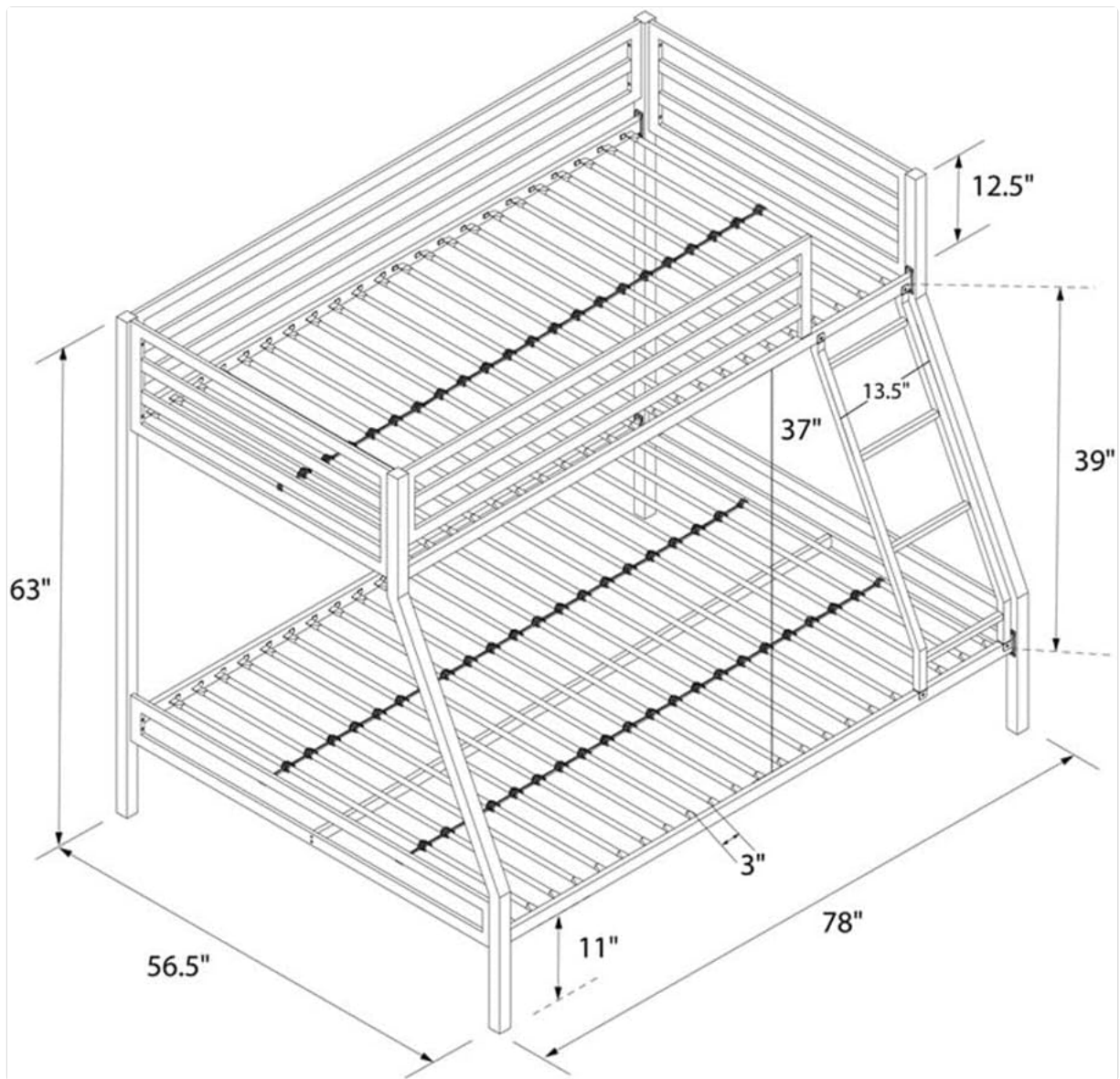


Image: Front view of the assembled bunk bed with mattresses on both levels.

5. OPERATING INSTRUCTIONS (USAGE)

Once assembled, the bunk bed is ready for use. Ensure that mattresses meet the specified dimensions and thickness requirements for safe operation. The top bunk is accessed via the integrated angled ladder. Always use the ladder to get on and off the top bunk. Do not allow more than one person on the top bunk at a time, and adhere to the weight limits for both bunks.



Image: Detail of the top bunk and the angled ladder, highlighting the guard rails.

6. MAINTENANCE

Regular maintenance helps ensure the longevity and safety of your bunk bed.

- **Cleaning:** Wipe the metal frame with a soft, damp cloth. Avoid harsh chemicals or abrasive cleaners that could damage the finish.
- **Hardware Check:** Periodically (e.g., every 3-6 months) inspect all bolts, nuts, and connections. Tighten any loose hardware to maintain structural integrity and prevent squeaking.
- **Structural Integrity:** Check for any signs of wear, damage, or bending in the metal frame. If any damage is found, discontinue use and contact customer support.

7. TROUBLESHOOTING

If you encounter issues with your bunk bed, consider the following common solutions:

- **Squeaking Noises:** Squeaking often indicates loose hardware. Re-tighten all bolts and connections. Ensure the bed is on a level surface.
- **Instability/Wobbling:** This is typically due to incomplete or loose assembly. Review the assembly instructions and ensure all components are correctly installed and all hardware is fully tightened.
- **Missing Parts:** If parts were missing upon unboxing, do not attempt to substitute. Contact DHP customer support for replacement parts.

8. SPECIFICATIONS

Feature	Detail
Model Number	5563096WE
Product Dimensions (L x W x H)	78" x 56.5" x 63"
Material	Metal
Color	Black
Top Bunk Mattress Size	Twin (75"L x 39"W)
Bottom Bunk Mattress Size	Full (75"L x 54"W)
Top Bunk Weight Capacity	200 lbs
Bottom Bunk Weight Capacity	450 lbs
Under Bed Clearance	11 inches
Top Bunk Guard Rail Height	12.5 inches
Slats Spacing	3 inches



Image: Dimensional drawing of the bunk bed, showing key measurements.

9. WARRANTY AND SUPPORT

For warranty information or customer support, please refer to the manufacturer's official website or contact the retailer where the product was purchased. Keep your proof of purchase for any warranty claims.

DHP Customer Support: For assistance with parts, assembly, or product inquiries, please visit the DHP website or contact their customer service department directly. Contact information can typically be found on the DHP official website or on the product packaging.