

Vitrifrigo DW90 RFX OCX2

Vitrifrigo DW90 OCX2 RFX Drawer Fridge Freezer User Manual

1. INTRODUCTION

This manual provides essential information for the safe and efficient operation, installation, and maintenance of your Vitrifrigo DW90 OCX2 RFX Drawer Fridge Freezer. Please read these instructions carefully before using the appliance and retain them for future reference.

The Vitrifrigo DW90 OCX2 RFX is a high-quality stainless steel drawer fridge freezer designed for various applications. Key features include a robust stainless steel drawer, a versatile double door position system (DOOR INSIDE-DOOR OUTSIDE), the secure Steelock locking mechanism, and a vent position to prevent odors when not in use. It also incorporates a self-venting frame for improved air circulation and an efficient 12/24Vdc electronic control system with LED lighting.

2. SAFETY INFORMATION

Always observe the following safety precautions to reduce the risk of fire, electric shock, or injury.

- Read all instructions thoroughly before installation and operation.
- Ensure the appliance is properly grounded to prevent electrical shock.
- Do not store explosive substances such as aerosol cans with a flammable propellant in this appliance.
- Keep ventilation openings clear of obstruction.
- Do not use mechanical devices or other means to accelerate the defrosting process, other than those recommended by the manufacturer.
- Do not damage the refrigerant circuit.
- Do not use electrical appliances inside the food storage compartments of the appliance, unless they are of the type recommended by the manufacturer.
- Disconnect the appliance from the power supply before cleaning or performing any maintenance.
- This appliance is not intended for use by persons (including children) with reduced physical, sensory or mental

capabilities, or lack of experience and knowledge, unless they have been given supervision or instruction concerning use of the appliance by a person responsible for their safety.

3. UNPACKING AND CONTENTS

Carefully unpack your Vitrifrigo DW90 OCX2 RFX Drawer Fridge Freezer. Inspect the appliance for any signs of damage during transit. Report any damage to your supplier immediately.

What's in the Box:

- Vitrifrigo DW90 OCX2 RFX Drawer Fridge Freezer unit
- Charger (Power supply unit)
- User Manual (this document)

4. SETUP AND INSTALLATION

The Vitrifrigo DW90 OCX2 RFX is designed for built-in installation. Proper installation is crucial for optimal performance and longevity.

4.1 Placement and Ventilation

Ensure the installation area provides adequate space for the appliance dimensions (635H x 533W x 543D mm). The appliance features a self-venting frame to improve ventilation. Ensure that the ventilation slots are not obstructed to allow proper airflow around the refrigerator.



Image: Detail of the self-venting frame, showing the ventilation slots for improved air circulation.

4.2 Double Door Position

The appliance offers a double door position feature, allowing for either 'DOOR INSIDE' or 'DOOR OUTSIDE' installation with a single fitting flange. This provides flexibility for integration into various cabinet designs.



Image: Illustration of the double door position feature, showing two distinct door panel configurations.



Image: Diagram illustrating the 'Door Outside' and 'Door Inside' installation options.

4.3 Electrical Connection

Connect the appliance to a 12/24Vdc power supply. The electronic control system operates at 50/60Hz. Ensure the power plug type (Type F - 2 pin, German & Spanish) is compatible with your electrical outlet. Always ensure the power supply is disconnected before making any electrical connections.

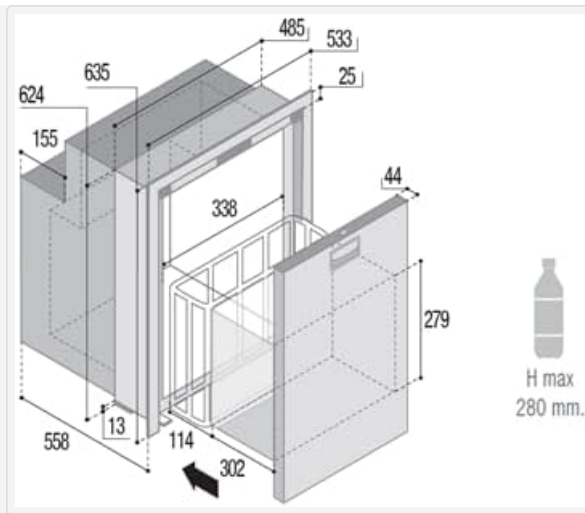


Image: The D power electronic control unit with its power connectors.

4.4 Dimensions

Refer to the technical drawing for precise dimensions and clearances required for installation.



Image: Technical drawing with detailed dimensions of the appliance.

5. OPERATING INSTRUCTIONS

5.1 Drawer Operation

The appliance features a stainless steel drawer for easy access to contents. To open, pull the integrated handle. To close, push the drawer firmly until the Steelock locking system engages, ensuring a secure seal.



Image: Main product view showing the stainless steel drawer front and integrated handle.



Image: Close-up of the recessed stainless steel drawer handle.



Image: Detail of the Steelock locking system, showing the mechanism that secures the drawer.

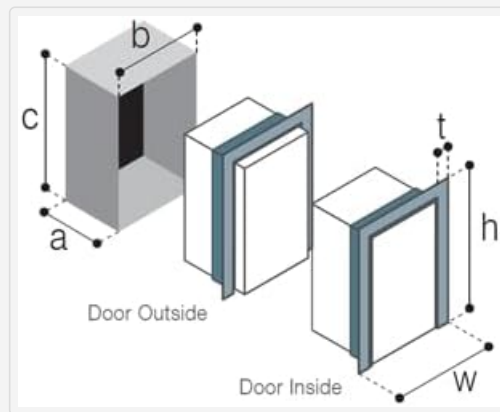


Image: Interior view of the drawer, showing storage for bottles and other items.

5.2 Temperature Control

The appliance features adjustable temperature control. Refer to the control panel for specific instructions on setting and adjusting the desired temperature for both the fridge and freezer compartments.

5.3 Vent Position

When the appliance is not in use for an extended period, utilize the vent position feature. This function helps to avoid unpleasant odors by allowing air circulation within the compartments, preventing mold and mildew buildup.

5.4 LED Lighting

The interior is equipped with a high-intensity LED lighting system for clear visibility of contents.

6. MAINTENANCE

6.1 Cleaning

Regular cleaning helps maintain the hygiene and efficiency of your appliance. Disconnect power before cleaning. Clean the interior and exterior surfaces with a mild detergent and warm water. Avoid abrasive cleaners or solvents that could damage the stainless steel finish. Dry thoroughly after cleaning.

6.2 Defrosting

The Vitrifrigo DW90 OCX2 RFX features an automatic defrost system, minimizing the need for manual defrosting. If ice buildup occurs, ensure the door seal is intact and the appliance is operating correctly.

6.3 Ventilation Maintenance

Periodically check that the self-venting frame and any other ventilation openings are clear of dust and debris to ensure proper airflow and prevent overheating of the compressor.

7. TROUBLESHOOTING

If you encounter issues with your appliance, refer to the following common troubleshooting steps. If the problem persists, contact customer support.

- **Appliance not cooling:** Check if the power cord is securely plugged in. Verify the power supply is active. Ensure the temperature control is set correctly. Check if the ventilation openings are obstructed.
- **Unusual noises:** Ensure the appliance is level. Check for any items inside or around the unit that might be vibrating. Normal compressor operation will produce some sound.
- **Water leakage:** Check if the drain hose (if applicable) is clear and properly positioned. Ensure the door seal is clean and intact, providing a tight seal.
- **Interior light not working:** Check if the LED light is damaged. Ensure the door is closing completely to activate the light switch.
- **Excessive ice buildup:** Verify the door seal is not compromised. Avoid frequent or prolonged door openings.

8. SPECIFICATIONS

Feature	Specification
Brand	Vitrifrigo
Model Number	DW90 RFX OCX2
Manufacturer Part Number	444212
Product Dimensions (D x W x H)	20.87"D x 250"W x 213.78"H (530D x 635W x 543H mm)
Total Volume	90 Liters (3.2 Cubic Feet)
Refrigerator Net Capacity	80.2 Liters (2.83 Cubic Feet)
Freezer Volume	9.8 Liters
Net Weight	30 KG
Installation Type	Built-In
Number of Doors	2 (Drawer type)
Defrost System	Automatic
Voltage	12/24Vdc
Finish Type	Stainless Steel

Feature	Specification
Door Material Type	Stainless Steel
Shelf Type	Drawer
Cooling Method	Compressor
Adjustable Temperature Control	Yes
Power Plug Type	Type F - 2 pin (German & Spanish)
Lock Type	Key
Included Components	Charger

9. WARRANTY AND SUPPORT

For warranty information, please refer to the documentation provided at the time of purchase or contact your authorized Vitrifrigo dealer. If you require technical assistance or have questions not covered in this manual, please contact Vitrifrigo customer support or your product retailer.

