

REPORSHOP RS25/6-3P

REPORSHOP Wilo RS25/6-3P Circulation Pump User Manual

1. INTRODUCTION

This manual provides essential information for the safe and efficient installation, operation, and maintenance of your REPORSHOP Wilo RS25/6-3P 3-speed standard circulation pump. Please read these instructions carefully before installation and use, and keep them for future reference.

The Wilo RS25/6-3P is a maintenance-free wet-rotor circulation pump designed for direct pipe mounting, featuring a manual 3-speed switch. It is suitable for various heating systems and boilers.

2. SAFETY INFORMATION

Warning: Installation and maintenance should only be performed by qualified personnel in accordance with local regulations and safety standards.

- Always disconnect the power supply before performing any work on the pump.
- Ensure proper grounding to prevent electric shock.
- Do not operate the pump if it is damaged or if the electrical connections are exposed.
- The pump is designed for circulating heating water. Do not use it for other liquids without consulting the manufacturer.
- Protect the pump from freezing temperatures.

3. PRODUCT OVERVIEW

The REPORSHOP Wilo RS25/6-3P is a robust circulation pump featuring a cast iron housing, a synthetic material impeller reinforced with fiberglass, and a chrome steel shaft with carbon bearings. It is designed for reliable performance in heating systems.



Figure 1: Front view of the Wilo RS25/6-3P pump. This image displays the main body of the pump, including the motor housing, the speed selection dial, and the technical specifications label. The label indicates Class F, PN10, TF110, IP44, 2.6µF, 230V~50Hz, and power consumption for each of the three speeds.



Figure 2: Side view of the pump. This image shows the compact design of the pump, with the electrical connection box on the left and the main pump body on the right, illustrating its profile for installation.



Figure 3: Rear view of the pump. This perspective highlights the robust cast iron pump housing and the threaded connections for integration into the heating system piping.

4. SETUP AND INSTALLATION

The pump is designed for direct mounting onto the pipework. Ensure the installation location is easily accessible for maintenance and inspection.

4.1 Pre-Installation Checks

- Verify that the power supply matches the pump's requirements (1 x 230 V / 50 Hz).
- Ensure the system is depressurized and drained before installation.
- Check for any physical damage to the pump before installation.

4.2 Mounting the Pump

1. Position the pump in the pipework, ensuring the flow direction arrow on the pump body aligns with the system flow.
2. Use appropriate nuts and gaskets (not supplied with the pump) to secure the pump to the pipe connections. The pump has 1 1/2" connections.

3. Ensure the motor shaft is horizontal to prevent air pockets and ensure proper lubrication of the bearings.
4. The pump's shaft length is 130 mm.

4.3 Electrical Connection

- Connect the pump to a 230V / 50Hz power supply.
- Ensure all electrical connections are secure and properly insulated.
- The pump requires a 2.6 μ F capacitor.
- Confirm proper grounding.

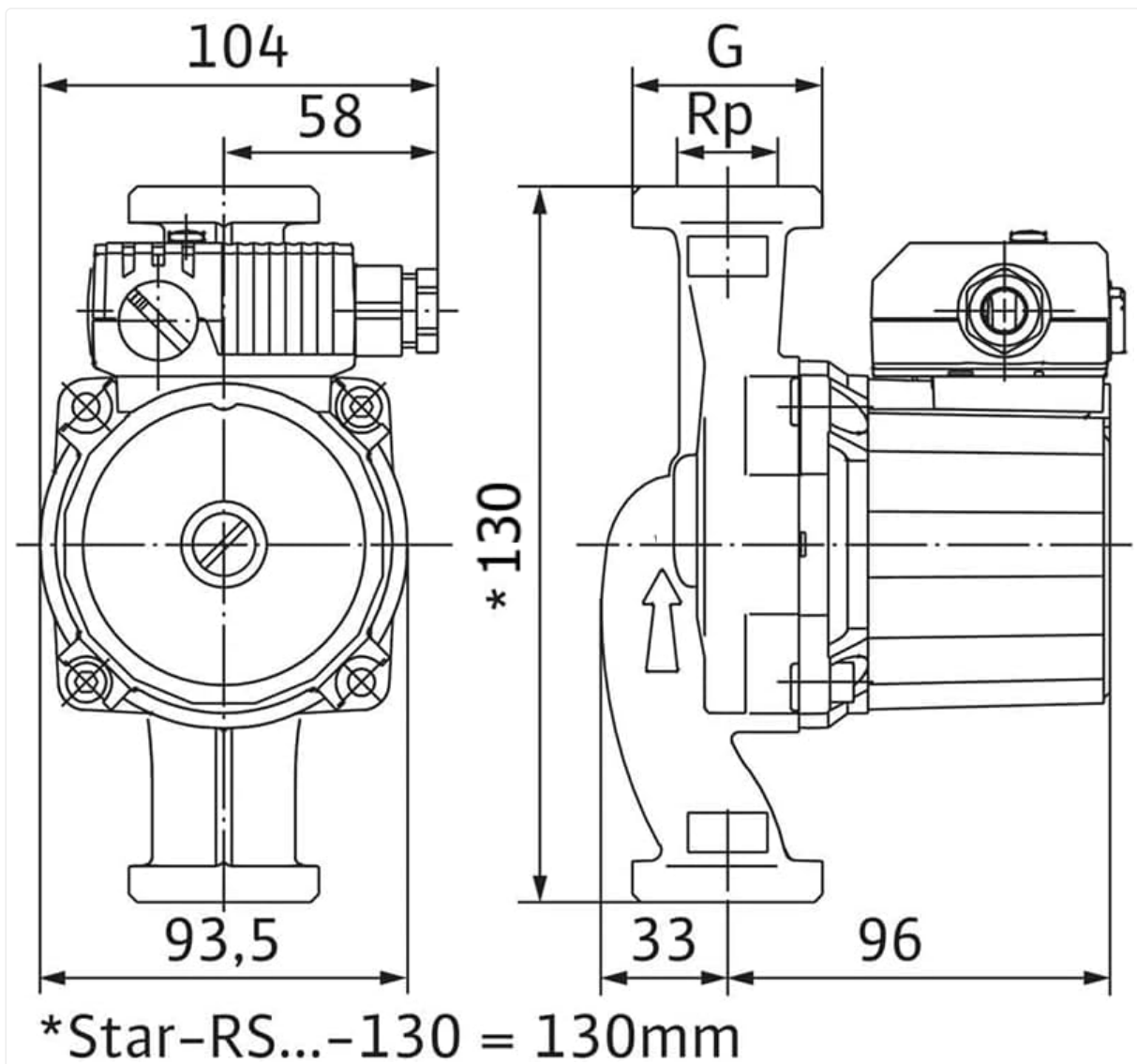


Figure 4: Dimensional drawing of the Wilo RS25/6-3P pump. This diagram provides key measurements for installation, including the 130mm shaft length and connection dimensions (G Rp).

5. OPERATING INSTRUCTIONS

The Wilo RS25/6-3P pump features a manual 3-speed switch, allowing you to adjust the pump's performance to suit your system's requirements.

5.1 Initial Start-up

1. After installation and electrical connection, slowly refill the heating system.
2. Bleed the system thoroughly to remove any air. Although the pump does not include a bleeder,

ensure the overall system is properly vented.

3. Restore power to the pump.

5.2 Speed Selection

The pump has three selectable speeds, each with different power consumption and flow rates:

- **Speed I:** 0.20 A - 46 W (Lowest power, lowest flow)
- **Speed II:** 0.30 A - 67 W (Medium power, medium flow)
- **Speed III:** 0.40 A - 93 W (Highest power, highest flow)

Select the appropriate speed using the manual switch on the pump's motor housing. Adjust the speed based on the heating demand and system performance.

6. MAINTENANCE

The Wilo RS25/6-3P is a maintenance-free wet-rotor pump. However, periodic checks can help ensure its longevity and efficient operation.

- **Annual Inspection:** Check for any leaks around the pump connections.
- **Noise Check:** Listen for unusual noises, which could indicate air in the system or bearing issues.
- **Electrical Connections:** Periodically inspect electrical connections for tightness and corrosion.
- **System Water Quality:** Ensure the heating system water is clean and treated to prevent corrosion and scale buildup, which can affect pump performance.

Important: Always disconnect power before any inspection or maintenance work.

7. TROUBLESHOOTING

Problem	Possible Cause	Solution
Pump does not start	No power supply; Motor blocked; Air in pump.	Check power connection and circuit breaker; Disconnect power, attempt to free rotor (consult qualified technician); Bleed the system thoroughly.
Pump runs but no circulation	Air in pump; Closed valves in system; Incorrect speed setting.	Bleed the system; Check all valves are open; Increase pump speed.
Pump is noisy	Air in pump; Cavitation due to insufficient system pressure; Foreign objects in pump.	Bleed the system; Increase system pressure; Disconnect power and inspect pump (qualified technician only).
Leakage at connections	Loose connections; Damaged gaskets.	Tighten connections; Replace gaskets (ensure system is drained and depressurized first).

If problems persist after attempting these solutions, contact a qualified technician or REPORSHOP customer support.

8. SPECIFICATIONS

Feature	Specification
Model	RS25/6-3P
Brand	REPORSHOP (Wilo)
Type	Wet-rotor circulation pump
Power Supply	1 ~ 230 V / 50 Hz
Power Consumption P1 (max)	0.030 - 0.085 kW (46W - 93W depending on speed)
Current (A) / Power (W) per speed	Speed I: 0.20 A / 46 W Speed II: 0.30 A / 67 W Speed III: 0.40 A / 93 W
Capacitor	2.6 µF
Max. Operating Temperature	110 °C (TF110)
Max. Operating Pressure	PN10
Protection Class	IP44
Insulation Class	Class F
Pipe Connection	Rp 1 / G 1½ (1 1/2")
Shaft Length	130 mm
Dimensions (L x W x H)	30 x 10 x 10 cm (approximate)
Weight	2.49 Kilograms
Compatible Models (Interchangeable)	Grundfos UPS 25/50-25/60, Wilo RS25/4, Wilo RS25/60R
Country of Origin	Spain

9. WARRANTY AND SUPPORT

For warranty information, technical support, or spare parts, please contact REPORSHOP customer service or your local distributor. Please have your product model number (RS25/6-3P) and serial number (if applicable) ready when contacting support.

Manufacturer: REPORSHOP

Model Number: 280000001 (Internal Reference)

ASIN: B0CN4VCX31