

[Manuals.plus](#) /

› [VASAGLE](#) /

› VASAGLE KKS024B22 Kitchen Baker's Rack Instruction Manual

## VASAGLE KKS024B22

# VASAGLE KKS024B22 Kitchen Baker's Rack Instruction Manual

Model: KKS024B22 | Brand: VASAGLE

## INTRODUCTION

---

This manual provides detailed instructions for the assembly, use, and maintenance of your VASAGLE KKS024B22 Kitchen Baker's Rack. Please read these instructions carefully before assembly and use to ensure safe and correct operation of the product. Keep this manual for future reference.

# VASAGLE

by SONGMICS HOME



Image: The VASAGLE KKS024B22 Kitchen Baker's Rack, fully assembled and organized with kitchen appliances and decor, demonstrating its functional design.

## SAFETY INFORMATION

- Ensure all parts are present and undamaged before beginning assembly. Do not proceed with assembly if any parts are missing or damaged.
- Do not exceed the maximum weight capacity specified for each shelf. Overloading can lead to instability and potential damage or injury.

- Always use the included anti-tipping kit to securely fasten the rack to a wall. This prevents accidental tipping, especially in households with children or pets.
- Keep children and pets away from the assembly area. Small parts can be a choking hazard.
- Place the assembled rack on a level, stable surface to ensure proper balance and prevent wobbling.
- Regularly inspect all connections (screws, bolts) to ensure they remain tight. Retighten as necessary.
- Avoid placing hot items directly on the shelves without protective mats.



Image: A detailed view of the anti-tipping kit, consisting of a strap and a screw, used to secure the rack to a wall for enhanced safety and stability.

## PACKAGE CONTENTS

---

Before starting assembly, please verify that all components listed below are present in your package. If any parts are missing or damaged, please contact customer support.

- Metal frame components (labeled A, B, C, etc.)
- Engineered wood shelves (6 pieces, labeled 1, 2, 3, etc.)
- S-hooks (6 pieces)
- Assembly hardware (screws, bolts, washers, Allen key)
- Anti-tipping kit (strap, screw, wall plug)
- Adjustable feet (4 pieces)
- Instruction manual

## ASSEMBLY INSTRUCTIONS

---

Follow these steps carefully for proper assembly. It is recommended to assemble the unit on a soft, clean surface (e.g., carpet) to prevent scratches.

1. **Unpack and Identify:** Unpack all components and lay them out. Identify each part by matching it with the diagrams and labels in the included instruction booklet.
2. **Attach Adjustable Feet:** Screw the adjustable feet into the pre-drilled holes at the bottom of the base frame components.
3. **Assemble Base Frame:** Connect the base frame components using the provided hardware. Do not fully tighten screws at this stage.
4. **Install Lower Shelves:** Place the lower engineered wood shelves onto the assembled base frame. Ensure the adjustable middle shelf is positioned at your desired height before securing.

5. **Assemble Upper Frame:** Attach the upper frame components to the base frame.
6. **Install Upper Shelves:** Place the three upper engineered wood shelves onto the upper frame.
7. **Install Cross-Braces:** Attach the X-shaped cross-braces to the rear of the rack for enhanced stability.
8. **Tighten All Connections:** Once all components are in place, systematically tighten all screws and bolts securely.
9. **Attach S-Hooks:** Clip the 6 S-hooks onto the side rails of the rack.
10. **Secure with Anti-Tipping Kit:** Position the assembled rack in its desired location. Using the anti-tipping kit, secure the rack to a sturdy wall stud or appropriate wall anchor.



Image: A detailed diagram showing the overall dimensions (40 x 60 x 167 cm) and individual shelf weight capacities of the baker's rack, crucial for safe assembly and loading.

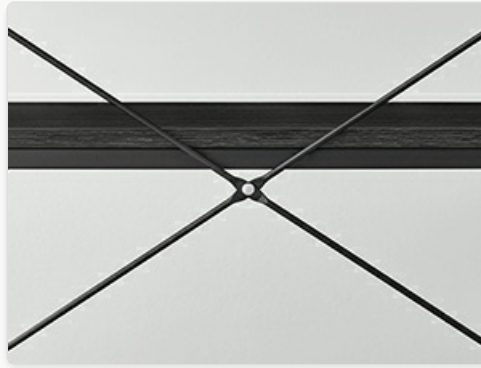


Image: A close-up view of the X-shaped support bars located at the rear of the rack, which contribute to its overall structural integrity and stability.



Image: A detailed shot of the adjustable feet at the base of the rack, designed to allow for leveling on uneven surfaces and protect floors from scratches.

## USAGE GUIDELINES

---

The VASAGLE KKS024B22 Kitchen Baker's Rack is designed to provide versatile storage and organization in your kitchen. Here are some guidelines for its optimal use:

- **Adjustable Middle Shelf:** The central lower shelf offers two height options. This feature allows you to customize the space to accommodate various kitchen appliances such as blenders, air fryers, large pots, or pans.
- **Upper Storage:** Utilize the three upper shelves for storing bottles, spice jars, cookbooks, or decorative items. These shelves are ideal for frequently accessed smaller items.
- **Lower Appliance Storage:** The three larger lower shelves are robust enough to hold heavier kitchen appliances like microwave ovens, coffee machines, toasters, or stand mixers.
- **Integrated Work Surface:** The main countertop, measuring 40 x 60 cm, provides a convenient surface for food preparation, serving, or setting up a dedicated coffee or beverage station.
- **Accessory Hooks:** The six included S-hooks can be attached to the side rails. Use them to hang kitchen utensils, oven mitts, towels, or other small accessories, keeping them within easy reach.



## Étagère réglable

2 options de hauteur pour ranger différents objets

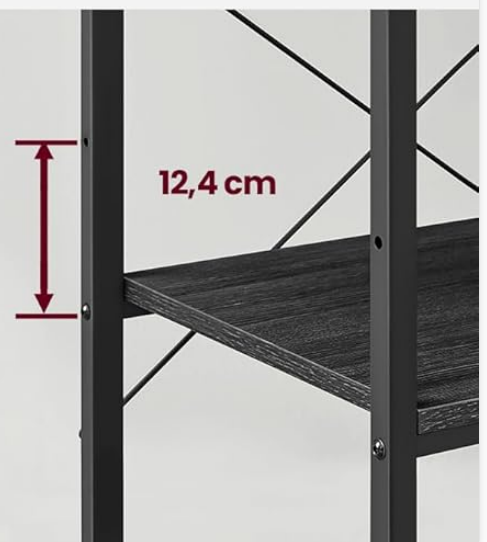


Image: This image illustrates the adjustable middle shelf, highlighting its two height options to accommodate various kitchen items and appliances.

# Grand plan de travail

La surface de 40 x 60 cm est suffisamment large pour préparer les repas



Image: A close-up view of the spacious main work surface, measuring 60 cm in width and 40 cm in depth, ideal for food preparation or as a dedicated coffee station.

# 3 étagères en haut

Pour garder des bouteilles à portée de main



Image: This image displays the three upper shelves, demonstrating their utility for storing bottles, jars, and other small kitchen accessories.

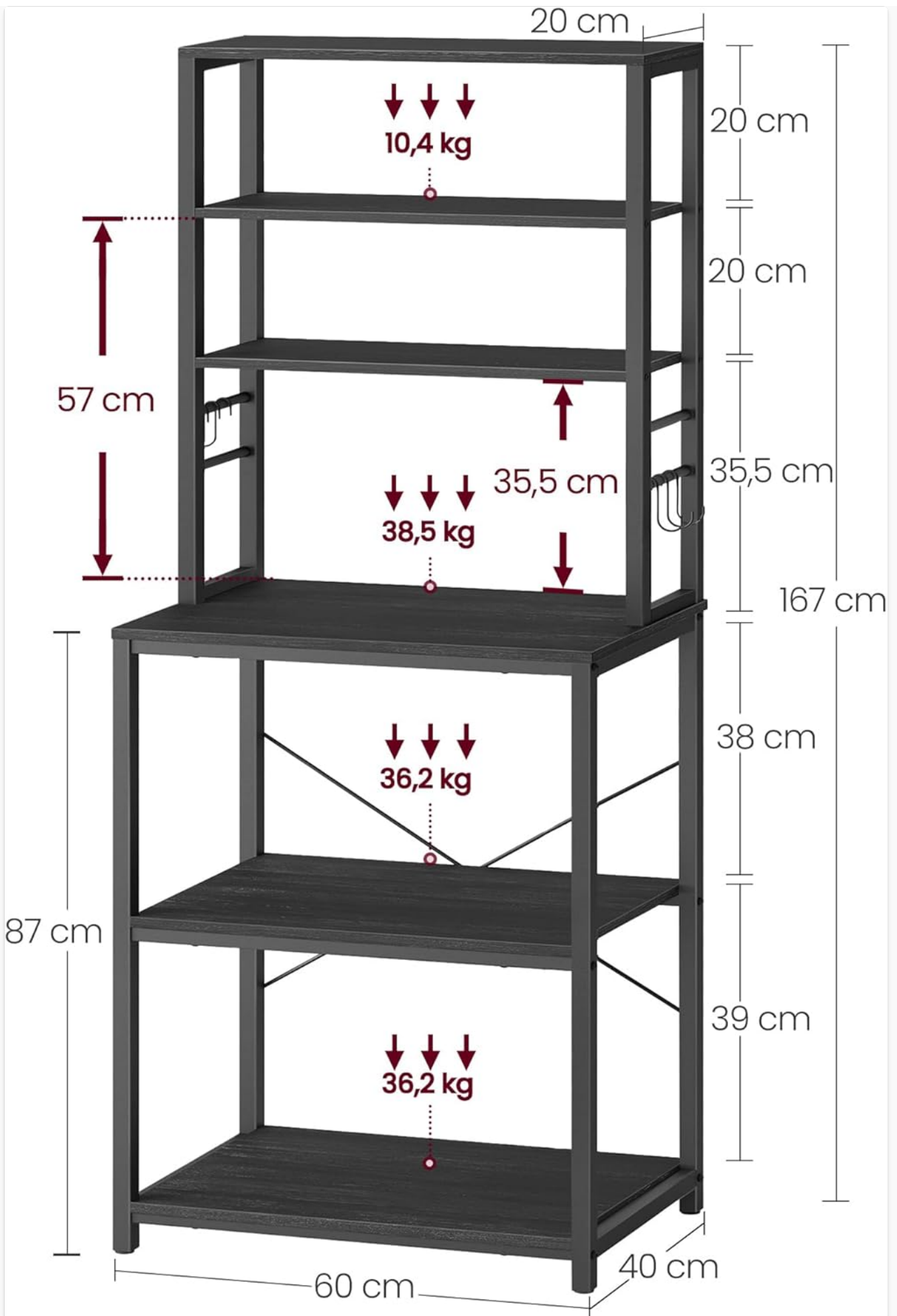


Image: A detailed view of the six S-hooks, shown hanging from the side rails of the rack, providing convenient storage for kitchen utensils.

## CARE AND MAINTENANCE

Proper care and maintenance will extend the life and appearance of your VASAGLE Kitchen Baker's Rack.

- **Cleaning:** Clean the rack regularly with a soft, damp cloth. For stubborn stains, a mild soap solution can be used, followed by wiping dry.
- **Avoid Harsh Cleaners:** Do not use abrasive cleaners, harsh chemicals, or solvents, as these can damage the finish of the steel frame and engineered wood shelves.
- **Spill Management:** Wipe up any spills immediately, especially on the engineered wood surfaces, to prevent staining or water damage.
- **Tighten Connections:** Periodically check all screws and bolts to ensure they remain tight. Retighten as needed to maintain the rack's stability and structural integrity.
- **Environmental Conditions:** Avoid exposing the rack to extreme temperatures or high humidity, which can affect the material's durability.

## TROUBLESHOOTING

If you encounter any issues with your baker's rack, refer to the following common troubleshooting tips:

- **Wobbly Rack:**
  - Ensure all assembly screws and bolts are fully tightened.
  - Adjust the leveling feet at the bottom of the rack to compensate for uneven floor surfaces. Rotate them clockwise or counter-clockwise until the rack is stable.
  - Verify that the anti-tipping kit is correctly installed and securely anchored to the wall.
- **Difficulty During Assembly:**
  - Refer to the illustrated instructions provided in the manual. Ensure all parts are correctly identified by their numbered labels.
  - Do not overtighten screws until all components are loosely fitted. This allows for minor adjustments. Once all parts are in place, then tighten all connections fully.
  - If a part does not fit, double-check that you are using the correct part and orientation as shown in the diagrams.
- **Missing Parts:**
  - Carefully check all packaging materials for small components that might have been overlooked.
  - If parts are genuinely missing, contact VASAGLE customer support with your product model number and a description of the missing parts.

## PRODUCT SPECIFICATIONS

Feature	Specification
Model Number	KKS024B22
Dimensions (L x W x H)	40 x 60 x 167 cm (15.7 x 23.6 x 65.7 inches)
Product Weight	16.1 kg (35.5 lbs)

Material	Alloy Steel, Engineered Wood
Color	Anthracite Grey + Ink Black
Number of Shelves	6
Max. Load Capacity (Top 3 Shelves)	10.4 kg (23 lbs) each
Max. Load Capacity (Middle Shelf)	38.5 kg (85 lbs)
Max. Load Capacity (Bottom 2 Shelves)	36.2 kg (80 lbs) each
Special Features	Adjustable middle shelf, 6 S-hooks, anti-tipping kit, adjustable feet
Assembly Required	Yes (tools and illustrated instructions included)

## WARRANTY INFORMATION

VASAGLE products are manufactured to high-quality standards. For specific warranty details regarding your KKS024B22 Kitchen Baker's Rack, please refer to the warranty card included with your purchase or consult the retailer's policy where the product was acquired. Keep your proof of purchase for any warranty claims.

## CUSTOMER SUPPORT

If you have any questions, require assistance with assembly, need replacement parts, or encounter any issues not covered in this manual, please do not hesitate to contact VASAGLE customer service. You can typically find contact information on the official VASAGLE website or through your retailer.

For further assistance, please visit: [VASAGLE Store on Amazon](#)