

## Supcline SF401

# Supcline No Stud TV Wall Mount User Manual

Model: SF401

## 1. INTRODUCTION

---

Thank you for choosing the Supcline No Stud TV Wall Mount. This mount is designed for secure and easy installation of your flat-screen television without the need for drilling into studs, making it ideal for drywall, concrete, brick, or wood stud installations. Its slim profile ensures a sleek, modern look for your living space. Please read this manual thoroughly before installation to ensure proper setup and safe operation.



Figure 1: Supcline No Stud TV Wall Mount components. This image displays the main components of the Supcline No Stud TV Wall Mount, featuring the long wall plate, two TV brackets with straps, a small bubble level, and two anti-tilt spacers.

## 2. SAFETY INFORMATION

---

- **Weight Capacity:** Do not exceed the maximum weight capacity of 154 lbs (70 kg). Exceeding this limit may result in serious injury or property damage.
- **TV Size:** This mount is designed for TVs between 26 and 65 inches.
- **VESA Compatibility:** Ensure your TV's VESA pattern is between 75x75mm and 400x400mm.
- **Wall Type:** Verify your wall type (drywall, concrete, brick, wood stud) and use the appropriate installation method and hardware.
- **Professional Installation:** If you are unsure about the installation process or wall type, consult a qualified professional.
- **Children:** Keep all small parts and packaging materials away from children, as they may pose a choking hazard.
- **Damage Check:** Before installation, inspect all components for any damage. Do not use damaged parts.

## 3. PACKAGE CONTENTS

---

Please check the package contents against the list below to ensure all parts are present and undamaged.

# Package Included

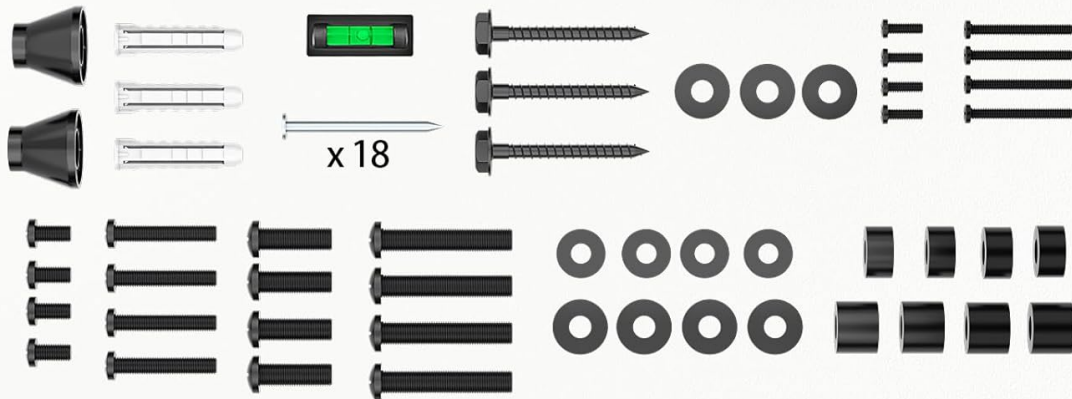
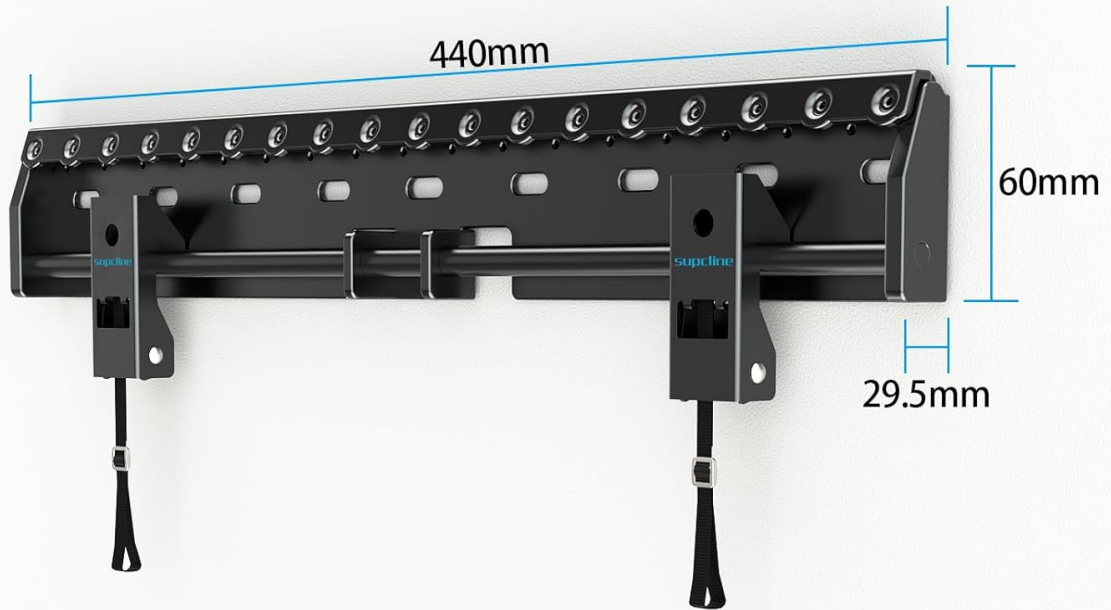


Figure 2: Package Contents. A detailed diagram illustrating all components included in the package, such as the wall plate with dimensions (440mm length, 60mm height, 29.5mm depth), various screws, anchors, washers, spacers, a bubble level, and the TV brackets. This helps users verify all parts are present.

- Wall Plate (x1)
- TV Brackets (x2)
- Bubble Level (x1)
- Anti-tilt Spacers (x2)
- Various Screws, Anchors, and Washers for TV and Wall Installation

## 4. SPECIFICATIONS

Feature	Specification
Brand	Supcline
Model Number	SF401

Compatible TV Sizes	26 - 65 inches
Maximum Load Capacity	154 lbs (70 kg)
VESA Compatibility	75x75mm to 400x400mm
Distance from Wall	1.08 inches (27.4mm)
Material	Alloy Steel
Product Dimensions	17.32 x 1.16 x 2.36 inches (440 x 29.5 x 60 mm)
Item Weight	1.98 pounds (0.9 kg)



Figure 3: Compatibility Overview. This visual demonstrates the broad compatibility of the Supline TV mount, indicating it supports televisions ranging from 26 to 65 inches, with a maximum load capacity of 154 lbs. It also highlights VESA compatibility from 75x75mm to 400x400mm for both flat and curved screens.

## 5. INSTALLATION GUIDE

Follow these steps carefully for a secure and successful installation.

## 5.1 Pre-Installation Checks

1. Ensure you have all parts listed in Section 3.
2. Confirm your TV's weight and VESA pattern are within the mount's specifications (see Section 4).
3. Determine your wall type. This mount is compatible with drywall, concrete, brick, and wood studs.
4. Gather necessary tools: Hammer (for drywall), Drill (for wood stud, concrete, brick), Phillips head screwdriver, Pencil, Measuring tape, Stud finder (if applicable).

# Drywall Friendly

Works with All Walls



Figure 4: Wall Type Compatibility. This image shows the versatility of the Supcline mount, emphasizing its 'Drywall Friendly' design where it can be installed with just a hammer. It also illustrates installation on other wall types like wood stud, concrete, and brick using a drill, making it suitable for various home constructions.

## 5.2 Attaching Brackets to TV

1. Carefully place your TV face down on a soft, clean surface to prevent scratches.
2. Identify the VESA mounting holes on the back of your TV.
3. Select the correct screws (M4, M6, or M8) and spacers that fit your TV's mounting holes.

4. Attach the two TV brackets to the back of your TV using the selected screws and washers. Ensure the brackets are oriented correctly, with the hanging hooks facing upwards and the pull straps hanging downwards. Do not overtighten.

### 5.3 Installing the Wall Plate

1. Determine the desired height for your TV. Mark the center point on the wall where the top edge of the wall plate will be.
2. Hold the wall plate against the wall at the marked height. Use the included bubble level to ensure it is perfectly horizontal.
3. Mark the positions for the mounting holes through the wall plate. For drywall, mark all 18 holes. For wood studs, concrete, or brick, mark the appropriate holes based on your stud spacing or desired anchor points.
4. **For Drywall (No Stud):** Use a hammer to gently tap the included drywall anchors into the marked holes until flush with the wall. Then, secure the wall plate using the provided screws. No drilling is required for drywall.
5. **For Wood Studs:** Use a stud finder to locate the center of the wood studs. Drill pilot holes (refer to manual for drill bit size) into the studs at the marked locations. Secure the wall plate using the provided wood screws.
6. **For Concrete/Brick:** Drill pilot holes (refer to manual for drill bit size) into the marked locations. Insert the concrete/brick anchors into the holes. Secure the wall plate using the provided concrete/brick screws.
7. Once the wall plate is secured, double-check its stability and levelness.

### 5.4 Hanging the TV

1. With assistance, carefully lift the TV with the attached brackets.
2. Align the hooks on the TV brackets with the top rail of the wall plate.
3. Gently lower the TV until the brackets engage with the wall plate. You should hear a click as the auto-lock mechanism engages.
4. Pull down on the release straps to ensure the TV is securely locked in place. The straps should retract slightly when the TV is locked.
5. For added stability and to prevent tilting, attach the anti-tilt spacers to the bottom of the TV and the wall, if desired.

# Extra Slim-Fit

## For Saving More Space



*Figure 5: Slim Profile. A side profile view of a television mounted using the Supcline bracket, demonstrating its 'Extra Slim-Fit' design. The image highlights the minimal 1.08-inch gap between the TV and the wall, creating a sleek, low-profile appearance that saves space.*

## 6. OPERATING INSTRUCTIONS

---

The Supcline TV mount features an auto-lock and quick-release system for convenience.

### 6.1 Attaching the TV

Once the wall plate is installed and the TV brackets are attached to your TV, simply lift the TV and align the hooks on the brackets with the top rail of the wall plate. Lower the TV until it clicks into place. The auto-lock mechanism will secure the TV to the wall plate.

### 6.2 Detaching the TV

To remove the TV from the wall mount, locate the two pull straps hanging from the bottom of the TV brackets. Pull both straps downwards simultaneously to disengage the quick-release mechanism. With assistance, carefully lift the TV off the wall plate.

# Straightforward Setup



Figure 6: Auto Push Lock & Quick Pull Release. This diagram illustrates the 'Straightforward Setup' and operation of the mount's locking mechanism. It shows how to 'PUSH' the TV into place for auto-lock and 'PULL' the straps for quick release, simplifying the process of attaching and detaching the TV.

## 7. MAINTENANCE

The Supcline TV Wall Mount requires minimal maintenance.

- **Cleaning:** Wipe the mount with a soft, dry cloth to remove dust. Do not use abrasive cleaners or solvents.
- **Periodic Checks:** Periodically check all screws and connections to ensure they remain tight and secure. If any looseness is detected, re-tighten them immediately.
- **Structural Integrity:** Ensure the wall structure remains sound and free from moisture damage or other issues that could compromise the mount's stability.

## Reliable Safety



- Thicker Plate
- Anti-drop Edge
- Enhanced Rod

Figure 7: Reliable Safety Features. A close-up view of the Supcline TV mount emphasizing its robust safety features. Points highlighted include a 'Thicker Plate' for durability, an 'Anti-drop Edge' to prevent accidental dislodgement, and an 'Enhanced Rod' for secure TV placement, ensuring reliable safety.

## 8. TROUBLESHOOTING

Problem	Possible Cause	Solution
TV not level after installation.	Wall plate not installed level.	Remove TV, re-level and re-install wall plate. Use the bubble level during installation.
TV does not click into place.	Brackets not properly aligned with wall plate; obstruction.	Ensure brackets are correctly positioned over the wall plate's top rail. Check for any cables or objects obstructing the locking mechanism.

TV feels wobbly or insecure.	Screws are loose; incorrect installation for wall type; mount overloaded.	Immediately remove TV. Check all screws for tightness. Verify installation method matches wall type. Ensure TV weight is within limits. Re-install if necessary.
Cannot pull release straps.	Mechanism jammed; straps caught.	Gently jiggle the TV while pulling the straps. Ensure straps are not tangled or caught behind the TV. Do not force.

## 9. WARRANTY AND CUSTOMER SUPPORT

---

Supcline is committed to providing high-quality products and excellent customer service. This product comes with a standard manufacturer's warranty. For specific warranty details, please refer to the warranty card included in your package or contact our customer support.

If you have any questions, encounter issues during installation, or require assistance with your Supcline TV Wall Mount, please do not hesitate to contact our dedicated customer support team. We are available to provide solutions and support every day.

**Contact Information:**

Please visit the official Supcline website or refer to your product packaging for the most up-to-date contact details (email, phone, or online chat support).