

Allewie AK-6860BOF

Allewie Full Size Bed Frame Instruction Manual

Model: AK-6860BOF | Brand: Allewie

1. SAFETY INFORMATION

Please read and understand all instructions before assembly and use. Keep this manual for future reference.

- Always follow the assembly instructions carefully to ensure stability.
- Be mindful of sharp edges during assembly.
- Do not overload the bed frame beyond its maximum weight recommendation of 800 lbs.
- Store items carefully in the under-bed storage to prevent them from shifting or falling out.
- Regularly check and maintain the bed frame to minimize any potential squeaking noises.

Warning: Small parts may pose a choking hazard to children. Keep all components out of reach of children until assembly is complete.

2. PACKAGE CONTENTS

Verify that all components are present before beginning assembly. If any parts are missing or damaged, contact customer support.

- Frame components
- Headboard
- Slats
- Assembly hardware (screws, bolts, tools)

Note: Mattress is not included.

3. SPECIFICATIONS

Size	Full
------	------

Color	Black
Material	Engineered Wood, Metal
Product Dimensions (L x W x H)	79.3" x 55.5" x 37"
Compatible Mattress Size	Full, 75 x 54 in.
Recommended Mattress Thickness	8-12 inches
Maximum Weight Recommendation	800 Pounds
Under-Bed Clearance	12.4 Inches
Assembly Required	Yes



Image 1: Detailed dimensions of the Allewie Full Size Bed Frame, showing length, width, height, and under-bed clearance.

4. SETUP AND ASSEMBLY INSTRUCTIONS

Assembly typically requires two adults. Ensure you have enough space and all parts are accounted for before starting.

1. **Unpack Components:** Carefully remove all parts from the packaging. Lay them out on a clean, soft surface to prevent scratches.
2. **Assemble Side Rails:** Attach the side rails to the headboard and footboard using the provided hardware. Ensure all connections are secure.
3. **Install Center Support Legs:** Fasten the center support legs to the main frame structure. These provide additional stability.
4. **Place Metal Slats:** Position the metal slats across the frame. The design includes strong metal slats for mattress support.
5. **Secure Mute Sponge Bar:** Attach the mute sponge bar to the frame where indicated. This feature helps reduce noise from friction between metal parts.
6. **Final Tightening:** Once all components are in place, carefully tighten all screws and bolts. Do not overtighten.



Image 2: The Allewie bed frame fully assembled without a mattress, showcasing the metal slat system and overall structure.



Image 3: Close-up views illustrating the stable foundation, strong metal slats, and the mute sponge bar designed to prevent noise.

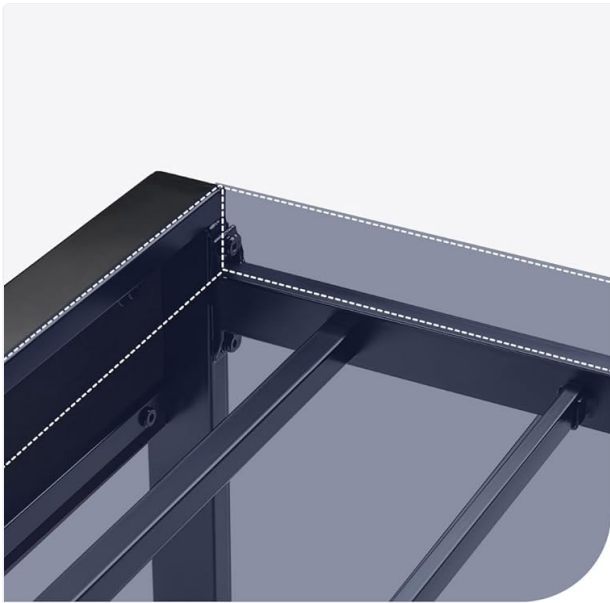


Image 4: Detail of the solid wood headboard, highlighting its rustic and industrial style.

5. OPERATING INSTRUCTIONS

This bed frame is designed for supporting a full-size mattress without the need for a box spring.

- **Mattress Placement:** Carefully place your full-size mattress directly onto the metal slats. The embedded design helps keep the mattress in place.
- **Under-Bed Storage:** Utilize the 12.4 inches of under-bed clearance for storage. Ensure items are stored securely and do not obstruct the frame's stability.



Embedded Design

Stuck the mattress in place.



Extra Underbed Space

Keep the bedroom neat and organized.



Image 5: Illustration of the embedded design that secures the mattress and the ample under-bed storage space.



Image 6: The Allewie Full Size Bed Frame with a mattress and bedding, demonstrating its functional use.

6. MAINTENANCE

Proper care will extend the life of your bed frame.

- **Cleaning:** Wipe the bed frame with a dry cloth to remove dust and debris. Avoid using harsh chemicals or abrasive cleaners.
- **Regular Inspection:** Periodically check all bolts and screws to ensure they remain tight. Retighten if necessary to maintain stability and prevent squeaking.
- **Weight Distribution:** Ensure weight is distributed evenly across the bed frame to prevent stress on individual components.

7. TROUBLESHOOTING

Problem	Possible Cause	Solution
Bed frame is squeaking	Loose connections; friction between metal parts.	Tighten all bolts and screws. Ensure the mute sponge bar is correctly installed.

Bed frame feels unstable	Incomplete assembly; loose hardware.	Review assembly instructions to ensure all steps were followed. Tighten all connections.
Mattress slides on the frame	Mattress not properly seated; embedded design not utilized.	Ensure the mattress is centered and fully within the embedded frame design.

8. WARRANTY AND SUPPORT

For warranty information or assistance with your Allewie bed frame, please refer to the documentation included with your purchase or contact Allewie customer support directly.

Customer Support: For any questions or concerns, please visit the official Allewie store or contact their customer service department.

Please retain your purchase receipt for warranty claims.