

ROADRESS PT-19

ROADRESS Retractable Car Charger PT-19 User Manual

Model: PT-19

1. INTRODUCTION

Thank you for choosing the ROADRESS Retractable Car Charger. This 100W 4-in-1 fast car charger is designed to provide efficient and convenient charging for multiple devices simultaneously in your vehicle. It features built-in retractable charging cables (Type-C and Lightning), two additional USB ports, and a voltage display for real-time monitoring. Please read this manual carefully before use to ensure proper operation and safety.

2. PRODUCT OVERVIEW

The ROADRESS PT-19 car charger offers a versatile charging solution with its compact design and multiple charging options.

With Type-C Cable & Lightning Cable

There are also USB Port & Type-C Port, which allow 4 devices to be charged at the same time.



Image: The ROADRESS Retractable Car Charger installed in a vehicle's power outlet, displaying its sleek design and integrated voltage screen.

Key Features:

- **100W Fast Charging:** Delivers high-speed charging for compatible devices.
- **4-in-1 Design:** Includes two retractable cables (Type-C and Lightning) and two additional USB ports (USB-A and USB-C) for charging up to four devices simultaneously.
- **Retractable Cables:** Integrated cables extend up to 31.5 inches (80 cm) and retract for neat storage, reducing clutter.
- **Digital Voltage Display:** Real-time monitoring of your car battery's voltage.
- **Adjustable Direction:** The charger head can be rotated 180 degrees for optimal positioning.
- **Advanced Safety Features:** Built-in intelligent chip protects against over-current, over-voltage, and short-circuiting.
- **Wide Compatibility:** Supports various fast charging protocols and is compatible with a broad range of smartphones, tablets, and other USB-powered devices.

Retractable Car Charger

Super Fast charging

 20W Max

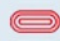
 100W Max



Image: The ROADRESS car charger demonstrating its ability to charge four devices concurrently using its retractable cables and USB ports.

Compatible with Apple and Android protocols

Compatible PD/QC/SCP/FCP/AFC/PSS and other fast charging protocols for the whole family



Image: A visual representation of the charger's 180-degree adjustable head, allowing for flexible positioning within the car.

Wide compatibility and applicability



Image: An illustration highlighting the broad compatibility of the charger with a range of electronic devices and vehicle types.

3. WHAT'S IN THE BOX

- ROADRESS Retractable Car Charger (Model: PT-19)
- User Manual

4. SETUP INSTRUCTIONS

1. **Locate Car Power Outlet:** Identify the 12V/24V cigarette lighter socket in your vehicle.
2. **Insert Charger:** Firmly insert the ROADRESS car charger into the power outlet. Ensure it is securely seated.
3. **Verify Power:** Once inserted, the digital voltage display on the charger should illuminate, indicating it is receiving power.

5. OPERATING INSTRUCTIONS

Using Retractable Cables:

1. **Extend Cable:** Gently pull the desired retractable cable (Type-C or Lightning) from its slot until it reaches the required length. Do not pull excessively.
2. **Connect Device:** Plug the cable into your compatible device.
3. **Retract Cable:** To retract, gently pull the cable again slightly, then release. The cable will automatically retract into the charger.

Traveling Extreme Flash Charging

With 2.4A/3A fast charging cable 100W high power flash charging without false labeling



Image: A detailed view of the retractable cables, illustrating the pull-and-release mechanism for extension and retraction.

Using USB Ports:

1. **Connect USB Cable:** Plug your device's USB charging cable into either the USB-A or USB-C port on the charger.
2. **Connect Device:** Plug the other end of your USB cable into your device.

New temperature control technology

Low temperature flash charging

Lower loss and lower heat generation Higher charging efficiency



Image: A visual representation of the charger's 100W high-power flash charging, indicating quick device charging.

Voltage Display:

The LED digital screen displays the real-time voltage of your car battery. This helps you monitor your vehicle's electrical system. Refer to the following guidelines:

- **12V Vehicles:**

- Below 11.6V: Voltage is low, check your car battery.
- 11.6V-12.8V: Normal voltage (engine off).
- 11.6V-14.8V: Normal voltage (engine running).

- **24V Vehicles:**

- Below 23.2V: Voltage is low, check your car battery.
- 23.2V-25.6V: Normal voltage (engine off).
- 23.2V-27.2V: Normal voltage (engine running).

Adjustable Direction

The head of the car charger can be freely oriented to facilitate coupling of the equipment.

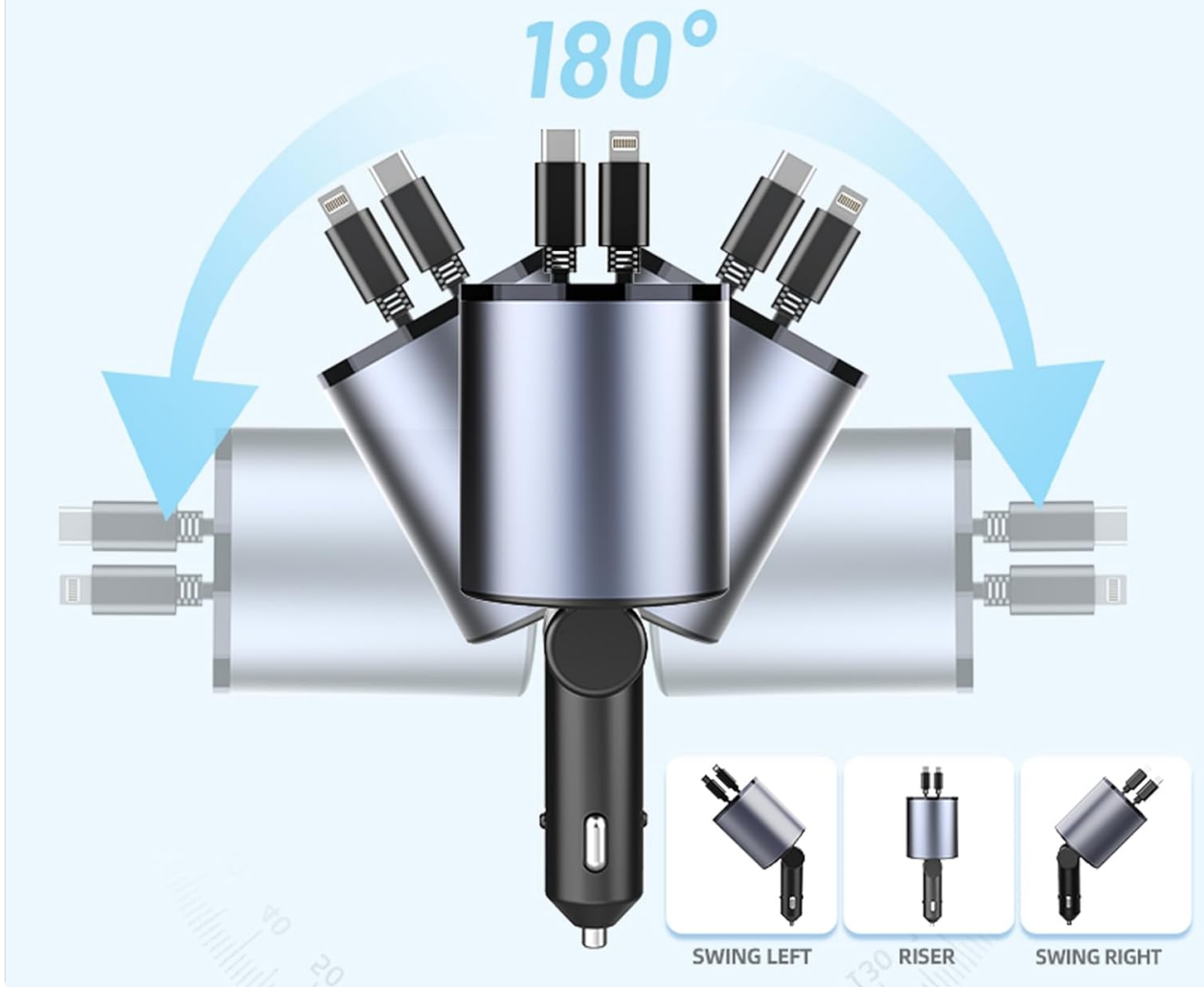


Image: The smart digital display indicating real-time voltage and providing a guide for interpreting battery status for both 12V and 24V systems.

6. SAFETY INFORMATION

- Do not disassemble or modify the charger.
- Keep the charger away from water, moisture, and extreme temperatures.
- Avoid dropping or subjecting the charger to strong impacts.
- Ensure the charger is securely plugged into the car's power outlet to prevent loose connections.
- Unplug the charger when not in use or when leaving the vehicle for extended periods.
- Do not use if the charger or cables appear damaged.
- Keep out of reach of children.

Eliminate Clutter In The Car

ROADRESS

Other



✓ Easy to store and keep tidy, no tangled



✗ Charging cables can't stowed and the car is cluttered

Image: An illustration of the internal premium polymer chip, emphasizing its role in providing multiple safety protections during charging.

smart digital display

LED digital screen display, real-time monitoring of voltage, current abnormal auto power-off
Ensure equipment safety at all times



Image: The charger depicted with ice cubes, representing its advanced temperature control technology for low-temperature flash charging and reduced heat generation.

7. SPECIFICATIONS

Feature	Description
Model Number	PT-19
Brand	ROADRESS
Wattage	100 Watts (Max)
Amperage	3 Amps (Output Current)
Total USB Ports	2 (USB-A, USB-C)
Built-in Cables	2 (Type-C, Lightning)
Cable Length	31.5 inches (80 cm)

Compatible Devices	Smartphones, Tablets, Laptops, Game Consoles, Drones (e.g., iPhone 12-15 series, Samsung Galaxy S20+, Pixel series)
Power Source	Vehicle 12V/24V DC Outlet
Item Weight	6.7 ounces
Package Dimensions	6.89 x 2.68 x 2.24 inches

8. TROUBLESHOOTING

- **Charger not powering on:**

- Ensure the charger is fully inserted into the car's power outlet.
- Check if the car's power outlet is functional (e.g., by testing with another device).
- Verify your vehicle's ignition is on if required for the power outlet.

- **Slow charging:**

- Ensure your device and cable support fast charging.
- Check if multiple high-power devices are charging simultaneously, which may distribute the available wattage.
- Confirm the cable is fully connected to both the charger and your device.

- **Retractable cable not retracting:**

- Gently pull the cable slightly further out, then release it quickly to trigger the retraction mechanism.
- Ensure there are no obstructions preventing the cable from retracting.

- **Voltage display inaccurate:**

- Ensure the charger is firmly seated in the power outlet.
- If discrepancies persist, consult a professional to check your car's electrical system.

9. MAINTENANCE

- Clean the charger regularly with a soft, dry cloth. Do not use liquid cleaners.
- Keep the retractable cables free from kinks or excessive pulling to maintain their mechanism.
- Store the charger in a cool, dry place when not in use.

10. WARRANTY AND SUPPORT

The ROADRESS Retractable Car Charger comes with a standard manufacturer's warranty. Please refer to the warranty card included with your product for specific terms and conditions. For technical support or warranty claims, please contact ROADRESS customer service through the retailer where the product was purchased or visit the official ROADRESS website.

