



Manuals.plus /

› luxceo /

› luxceo RGB Tube Light Bar (Model 4X MOOD1) Instruction Manual

## luxceo 4X MOOD1

# luxceo RGB Tube Light Bar (Model 4X MOOD1) Instruction Manual

Battery Powered LED Video Light Wand Stick with Remote Control

## INTRODUCTION

Thank you for choosing the luxceo RGB Tube Light Bar. This manual provides detailed instructions for the safe and efficient use of your new lighting equipment. Please read this manual thoroughly before operation and retain it for future reference.

## PACKAGE CONTENTS

Verify that all items listed below are included in your package. If any items are missing or damaged, please contact customer support.

- 4 x luxceo RGB Tube Light Bar
- 4 x Remote Control
- 4 x Tripod
- 4 x USB Charging Cable
- 4 x User Manual



This image displays the complete package contents for the luxceo RGB Tube Light Bar set. It includes four light bars, four remote controls, four tripods, four USB charging cables, and four user manuals, all neatly arranged.

## SETUP

### 1. Charging the Light Bar

Before first use, fully charge the light bar. Connect the provided USB charging cable to the Type-C port on the light bar and to a compatible USB power source (e.g., computer, adapter, power bank). The charging time is approximately 3 hours.

### 2. Attaching to the Tripod

The light bar features a 1/4-inch screw interface at its base for tripod mounting.

1. Locate the 1/4-inch screw on the top of the tripod.
2. Align the light bar's screw interface with the tripod screw.
3. Gently rotate the light bar clockwise until it is securely fastened to the tripod. Do not overtighten.



A visual guide demonstrating how to attach the luxceo RGB Tube Light Bar to its tripod. The image shows the 1/4 screw interface on the light bar and the process of screwing it onto different tripod types, including a standard tripod and a mini tripod.

## OPERATING INSTRUCTIONS

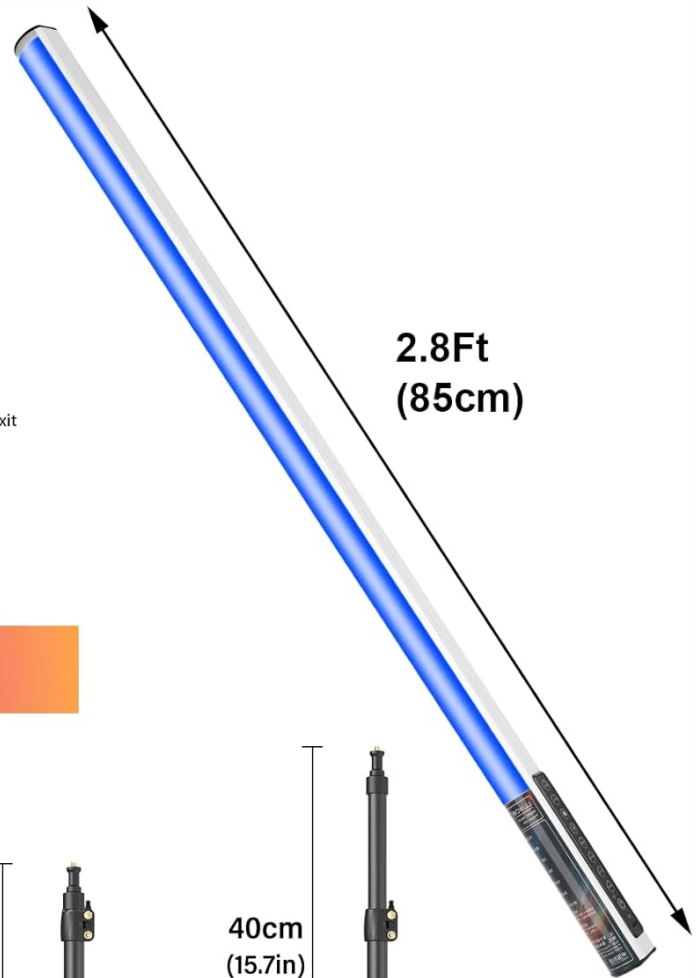
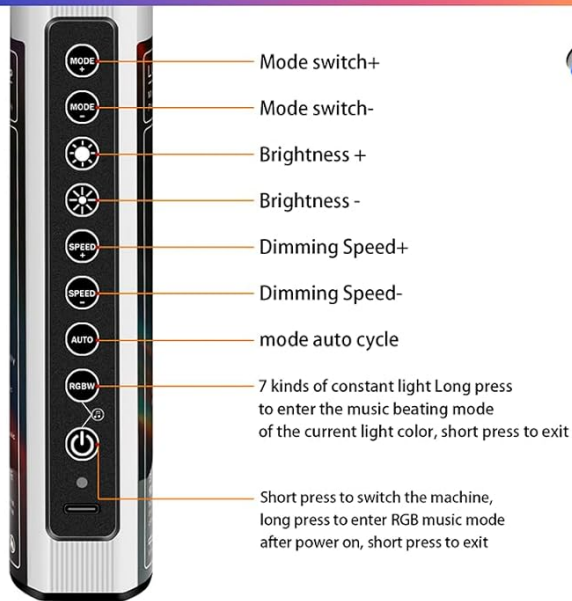
### 1. Power On/Off

Short press the power button on the light bar to switch it on or off. Long press the power button after powering on to enter RGB music mode. Short press again to exit music mode.

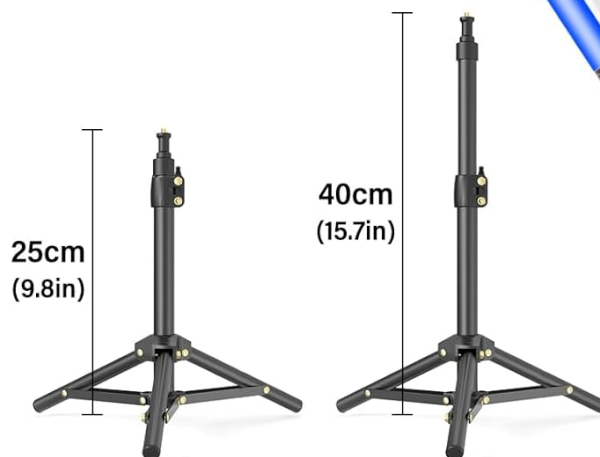
### 2. Remote Control Usage

The light bar comes with a remote control for convenient operation. Ensure you remove the insulation clip from the remote's battery compartment before use. The effective remote control distance is up to 7 meters. For optimal performance, target the remote control at the light-emitting surface of the light bar.

## Key Description



## 1/4 screw interface



This diagram provides a detailed view of the control panel on the luxceo RGB Tube Light Bar, labeling buttons for mode switching, brightness adjustment, dimming speed, and auto mode. It also illustrates the light bar's length of 2.8 feet (85 cm) and the dimensions of the two included tripod sizes (25cm and 40cm).

### 3. Lighting Modes and Adjustments

The RGB Tube Light Bar offers a 260° light-emitting surface and over 500 kinds of light-changing modes. Use the remote control or the buttons on the light bar to adjust settings:

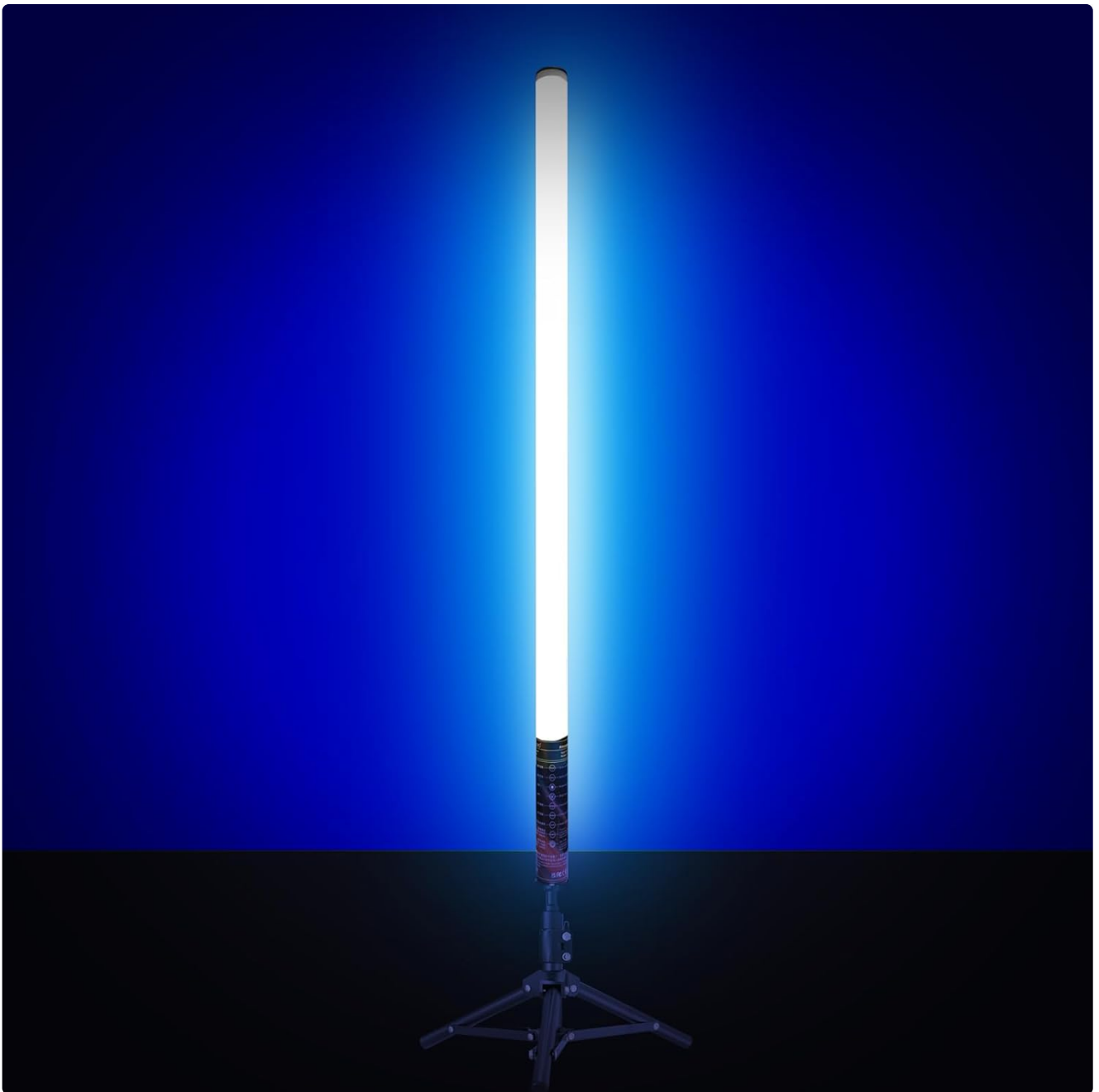
- **Mode Switch (+/-):** Cycle through various lighting effects and colors.
- **Brightness (+/-):** Adjust the light intensity. There are 11 levels of brightness.
- **Dimming Speed (+/-):** Control the speed of dynamic lighting modes.
- **Auto Mode Cycle:** Automatically cycle through different modes.
- **Music Beating Mode:** Long press the dedicated button (or power button after power on) to enter this mode, where the light changes according to music intensity. Short press to exit.



This diagram details the various brightness levels (from 1 to 11) and constant light color options (purple, red, green, blue, orange, white) available on the luxceo RGB Tube Light Bar. It also reiterates the control panel buttons for mode, brightness, speed, and auto cycle, and how to enter/exit music beating mode.

#### **4. Battery Life**

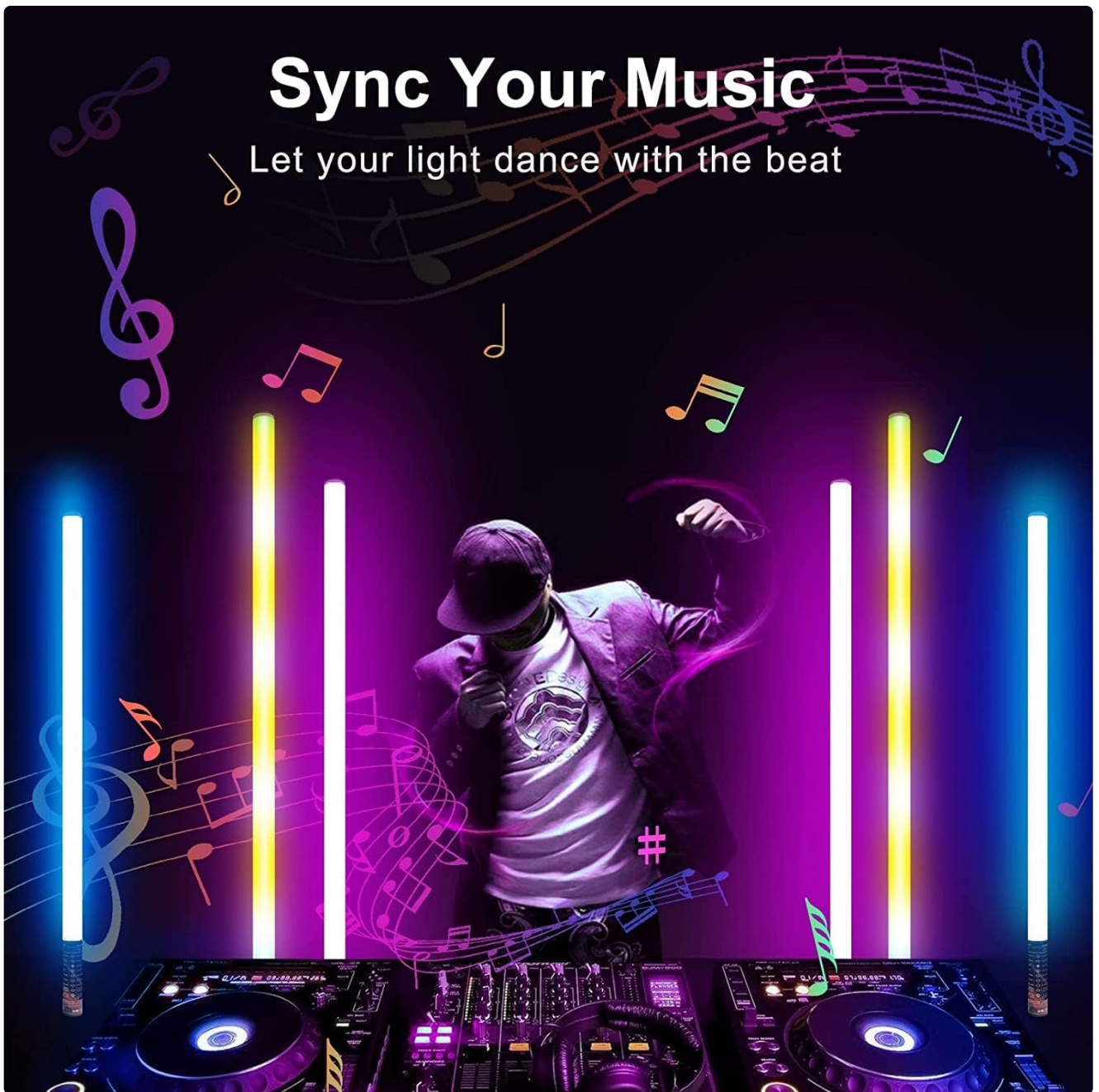
The built-in 3.7V/2000mAh rechargeable battery provides up to 4.5 hours of continuous lighting at 100% brightness. At the lowest brightness setting, the light bar can operate for up to 30 hours.



This image shows the luxco RGB Tube Light Bar mounted on its included tripod, displaying a vibrant blue light. The light bar is positioned vertically, illustrating its use as an ambient or accent light.

# Sync Your Music

Let your light dance with the beat



A DJ is shown performing with two luxceo RGB Tube Light Bars positioned vertically on either side of the DJ console. The lights are actively changing colors, demonstrating the music synchronization feature, where the light dances with the beat.



## MULTIPLE USES

A collage showcasing diverse applications of the Luxceo RGB Tube Light Bar, including photography, mood lighting in a living room, a wedding setting, and a DJ event. This highlights the versatility of the light bar for different environments and creative purposes.

## MAINTENANCE

### 1. Cleaning

To clean the light bar, use a soft, dry cloth. Do not use abrasive cleaners, solvents, or harsh chemicals, as these may damage the surface or internal components. Ensure the device is powered off and unplugged before cleaning.

### 2. Storage

When not in use, store the light bar in a cool, dry place away from direct sunlight and extreme temperatures. If storing for an extended period, ensure the battery is partially charged (around 50%) to prolong its lifespan. Recharge the battery every few months to prevent deep discharge.

## TROUBLESHOOTING

**Light bar does not turn on:**

- Ensure the battery is charged. Connect the light bar to a power source using the USB cable.
- If the light bar was powered off using its physical button (deep sleep mode), it cannot be turned on with the remote control. Use the physical button to power it on first.

**Remote control is not working:**

- Check if the insulation clip has been removed from the remote's battery compartment.
- Ensure the remote control battery is not depleted. Replace if necessary.
- Point the remote directly at the light-emitting surface of the light bar. The effective range is up to 7 meters.
- Ensure there are no obstructions between the remote and the light bar.

**Light intensity is low or inconsistent:**

- Adjust the brightness settings using the remote control or the light bar buttons.
- Ensure the battery is sufficiently charged. Low battery levels can affect light output.

**Music sync mode is not responding:**

- Ensure the light bar is in music beating mode (long press power button after power on).
- Verify that music is playing loudly enough for the light bar's microphone to detect the beat.

## SPECIFICATIONS

Feature	Detail
Model Number	4X MOOD1
ASIN	B0CMTKCWHR
Light Source	RGB LED
Light-Emitting Surface	260°
Lighting Modes	Over 500 kinds, including music sync
Brightness Levels	11 levels
Battery Type	Built-in 3.7V/2000mAh Lithium Ion
Charging Port	Type-C USB
Charging Time	Approximately 3 hours
Battery Life (100% Brightness)	Up to 4.5 hours
Battery Life (Lowest Brightness)	Up to 30 hours
Remote Control Connectivity	Infrared
Remote Control Range	Up to 7 meters
Tube Length	2.8 feet (85 cm)
Item Weight (4-pack)	6.38 pounds
Package Dimensions	35.43 x 7.28 x 6.89 inches

## WARRANTY AND SUPPORT

### Warranty Information

Please refer to the warranty card included in your package for specific warranty terms and conditions. Keep your purchase receipt as proof of purchase for any warranty claims.

### Customer Support

If you encounter any issues or have questions regarding your luxceo RGB Tube Light Bar that are not covered in this manual, please contact our customer support team. Contact details can typically be found on the product packaging or the official luxceo website.