

[Manuals.plus](#) /

> [vidaXL](#) /

> vidaXL Robust White Metal Bed Frame (47.2" x 74.8") Instruction Manual

## vidaXL avec tête de lit

# vidaXL Robust White Metal Bed Frame (47.2" x 74.8") Instruction Manual

Model: avec tête de lit | Brand: vidaXL

## 1. INTRODUCTION

---

Thank you for purchasing the vidaXL Robust White Metal Bed Frame. This manual provides essential information for the safe assembly, proper use, and maintenance of your new bed frame. Please read these instructions carefully before beginning assembly and retain them for future reference.



Image 1.1: The vidaXL Robust White Metal Bed Frame with a mattress and under-bed storage boxes.

## 2. SAFETY INFORMATION

---

- Always assemble the bed frame on a soft, clean surface to prevent damage to the product or your floor.
- Ensure all bolts, screws, and connectors are securely tightened before use. Periodically check and re-tighten as necessary.
- Do not stand on the bed frame or use it as a ladder.
- Keep small parts away from children during assembly to prevent choking hazards.
- Distribute weight evenly across the bed frame.
- This bed frame is designed for indoor use only.

## 3. PACKAGE CONTENTS

---

Before assembly, verify that all components listed below are present and undamaged. If any parts are missing or damaged, please contact vidaXL customer service.

- Headboard sections
- Side rails

- Center support beam(s)
- Bed slats
- Support legs
- Hardware pack (screws, bolts, washers, Allen key)



Image 3.1: The bed frame components before mattress placement.

## 4. SETUP AND ASSEMBLY INSTRUCTIONS

---

Assembly typically requires two adults. Please follow these steps carefully.

1. **Unpack and Identify Parts:** Lay out all components on a clean, soft surface. Refer to the parts list to ensure everything is present.
2. **Assemble the Headboard:** Connect the headboard sections using the provided hardware. Ensure all connections are firm but do not fully tighten bolts yet.
3. **Attach Side Rails:** Connect the side rails to the assembled headboard using the appropriate hardware.
4. **Attach Footboard (if applicable):** If your model includes a separate footboard, attach it to the other end of the side rails.
5. **Install Center Support:** Place the center support beam(s) and attach any necessary support legs.
6. **Insert Bed Slats:** Carefully place the bed slats into their designated positions on the side rails and center support. Secure them if required by the design.
7. **Final Tightening:** Once all components are in place and aligned, fully tighten all bolts and screws using the provided Allen key. Do not overtighten.
8. **Place Mattress:** Carefully place your 47.2" x 74.8" mattress onto the assembled bed frame.

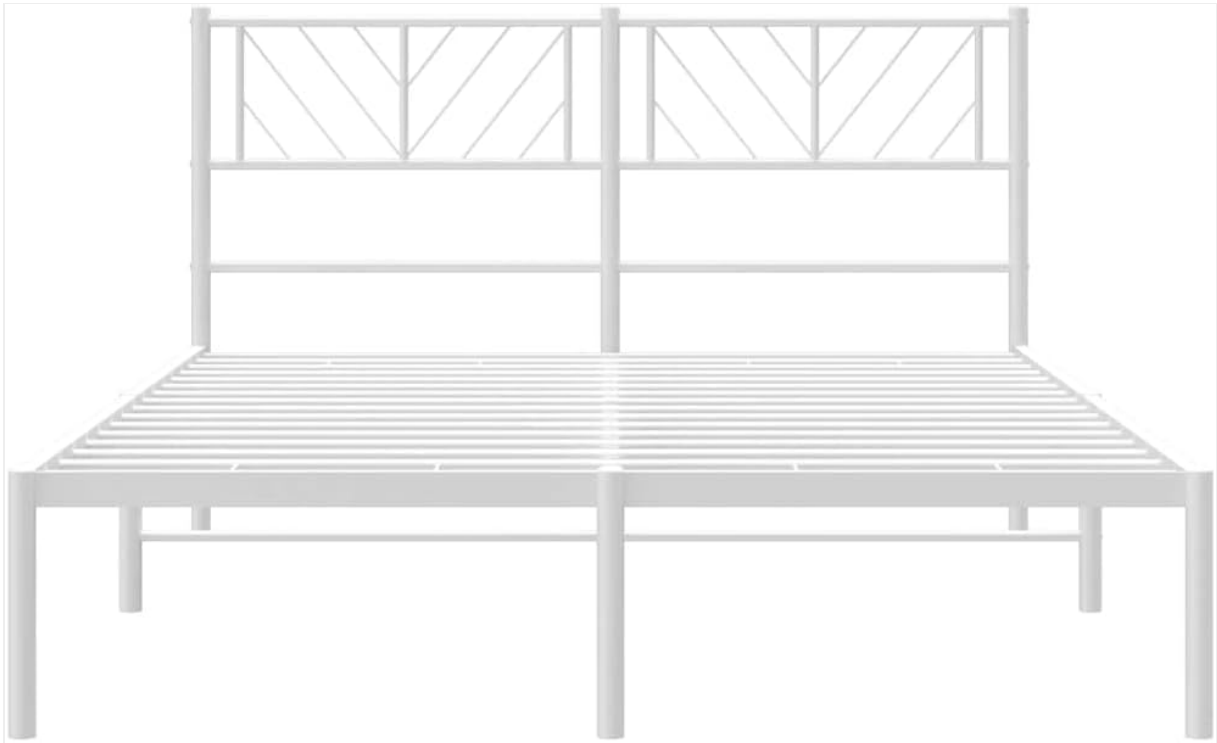


Image 4.1: Front view of the assembled bed frame, illustrating the headboard design.



Image 4.2: Angled view of the bed frame, showing the slat support system.

## 5. OPERATING AND USAGE

---

This bed frame is designed to provide a stable and comfortable sleeping surface. The robust metal construction ensures durability, and the integrated headboard offers support.

### **Under-Bed Storage**

The bed frame features ample space underneath, with a leg height of 10.2 inches (26 cm), allowing for convenient storage of boxes, bins, or other items to maximize your room space.

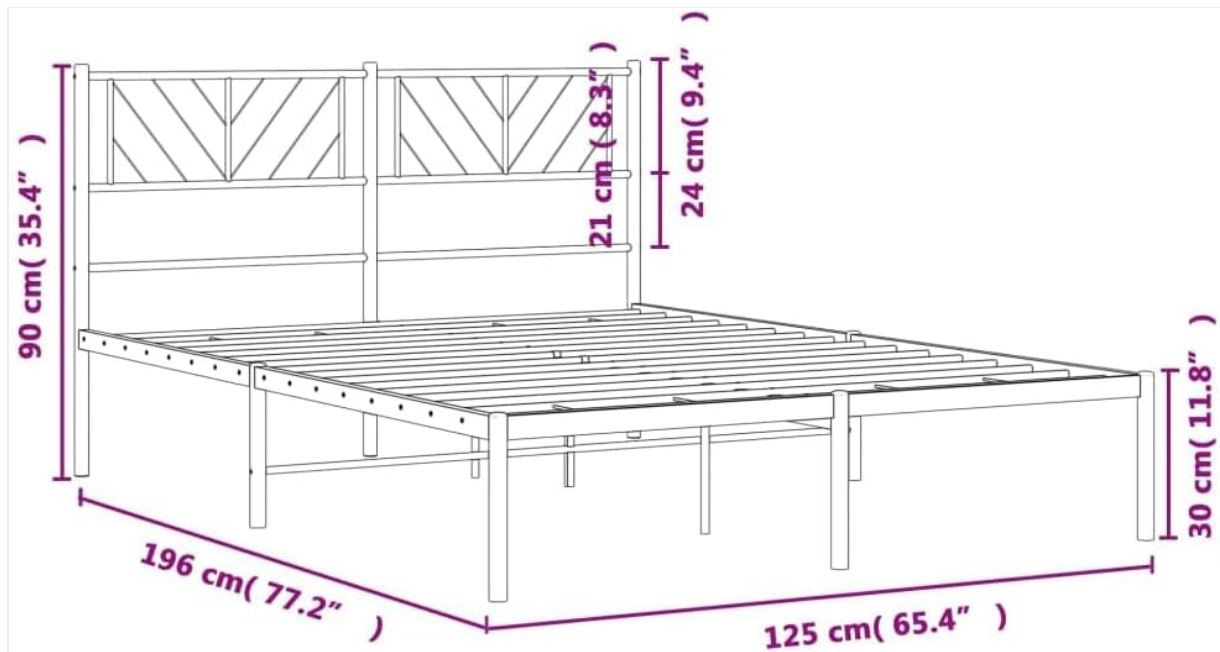


Image 5.1: Illustration of the under-bed storage capability.

## 6. MAINTENANCE AND CARE

To ensure the longevity and appearance of your bed frame, follow these simple care instructions:

- **Cleaning:** Wipe the metal frame with a dry cloth to remove dust and dirt. Avoid using harsh chemicals or abrasive cleaners, as these can damage the finish.
- **Inspection:** Periodically check all bolts and connections to ensure they remain tight. Re-tighten if necessary to maintain stability.
- **Environment:** Keep the bed frame in a dry, indoor environment. Avoid prolonged exposure to direct sunlight or extreme temperatures.

## 7. TROUBLESHOOTING

If you encounter any issues with your bed frame, refer to the following common solutions:

- **Squeaking Noises:** Squeaking often indicates loose connections. Re-tighten all bolts and screws on the frame, especially where the side rails connect to the headboard and footboard, and where the slats rest.
- **Instability/Wobbling:** Ensure the bed frame is on a level surface. Check that all support legs are making firm contact with the floor and that all hardware is securely tightened.
- **Damaged Parts:** If any part is damaged during assembly or use, cease using the bed frame immediately and contact vidaXL customer service for replacement parts. Do not attempt to repair damaged structural components yourself.

## 8. SPECIFICATIONS

Detailed product specifications for the vidaXL Robust White Metal Bed Frame (47.2" x 74.8").

Feature	Specification
Brand	vidaXL
Model Number	avec tête de lit

Feature	Specification
Color	White
Material	Powder-coated Steel
Product Dimensions (L x W x H)	74.8" x 47.2" x 35.4" (190 cm x 120 cm x 90 cm)
Compatible Mattress Size	47.2" x 74.8" (Mattress not included)
Ground to Item Distance (Leg Height)	10.2" (26 cm)
Item Weight	41.7 pounds (18.9 kg)
Assembly Required	Yes
Special Feature	No Box Spring Needed



Image 8.1: The bed frame with a mattress in place.

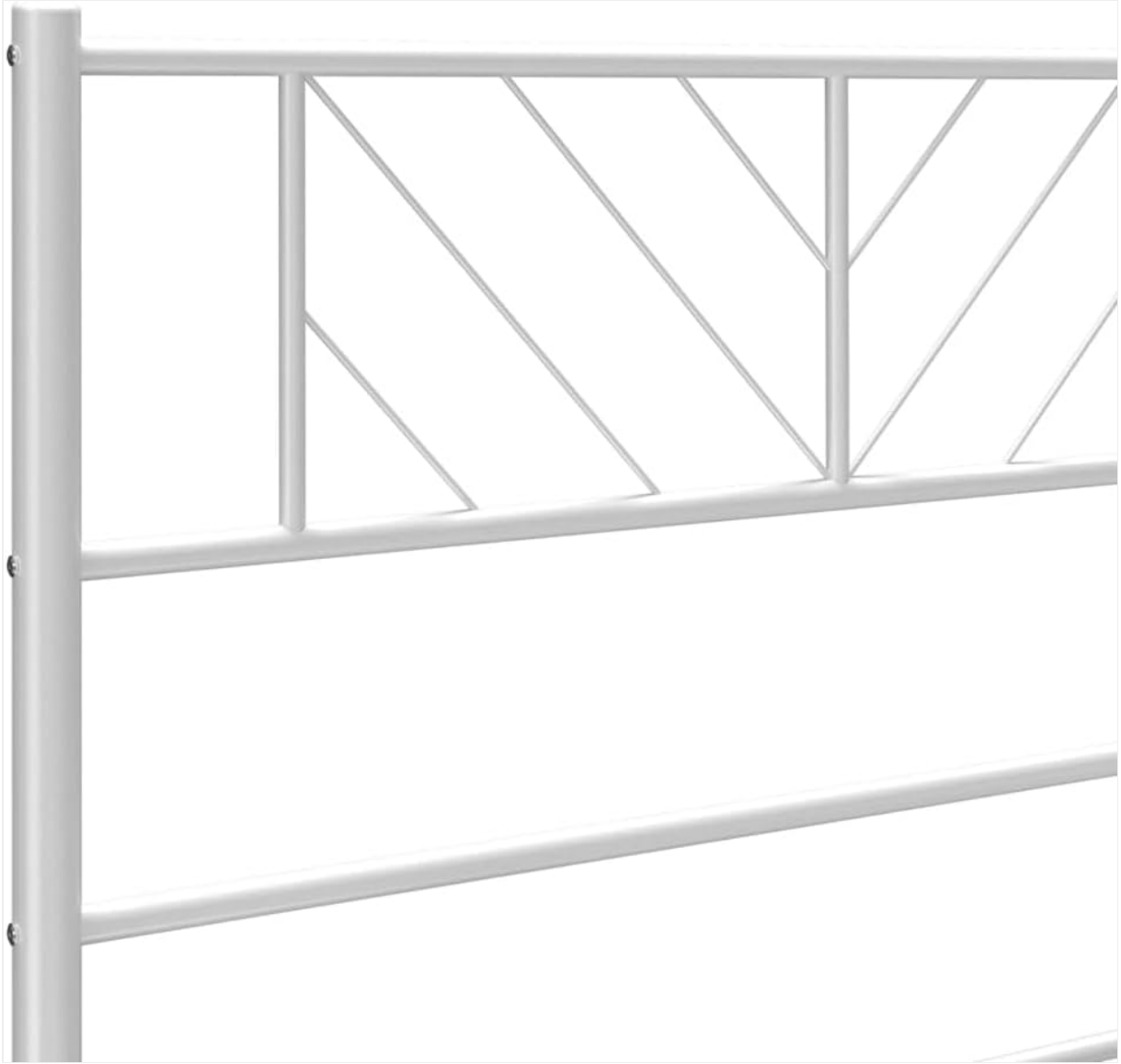


Image 8.2: Close-up view of the headboard's geometric design.

## 9. WARRANTY AND SUPPORT

---

For warranty information, missing parts, or technical support, please contact vidaXL customer service directly.

Refer to your purchase documentation for specific warranty terms and contact details.

You can typically find support information on the official vidaXL website or through the retailer where you purchased the product.