

Merax 5666

Merax 76.8 Inch Reversible Sectional Storage Sleeper Sofa Bed

INSTRUCTION MANUAL

1. Introduction

Thank you for choosing the Merax 76.8 Inch Reversible Sectional Storage Sleeper Sofa Bed. This manual provides essential information for the safe assembly, operation, and maintenance of your new furniture. Please read these instructions carefully before beginning assembly and retain them for future reference.

Safety Precautions

- Ensure all parts are present before assembly. Do not proceed if any parts are missing or damaged.
- Assemble the sofa on a soft, clean surface to prevent scratches.
- Always use the correct tools as specified in the assembly guide.
- Do not overtighten screws or bolts, as this may damage the material.
- Keep small parts away from children during assembly.
- Do not stand or jump on the sofa.
- Distribute weight evenly when sitting or lying on the sofa.

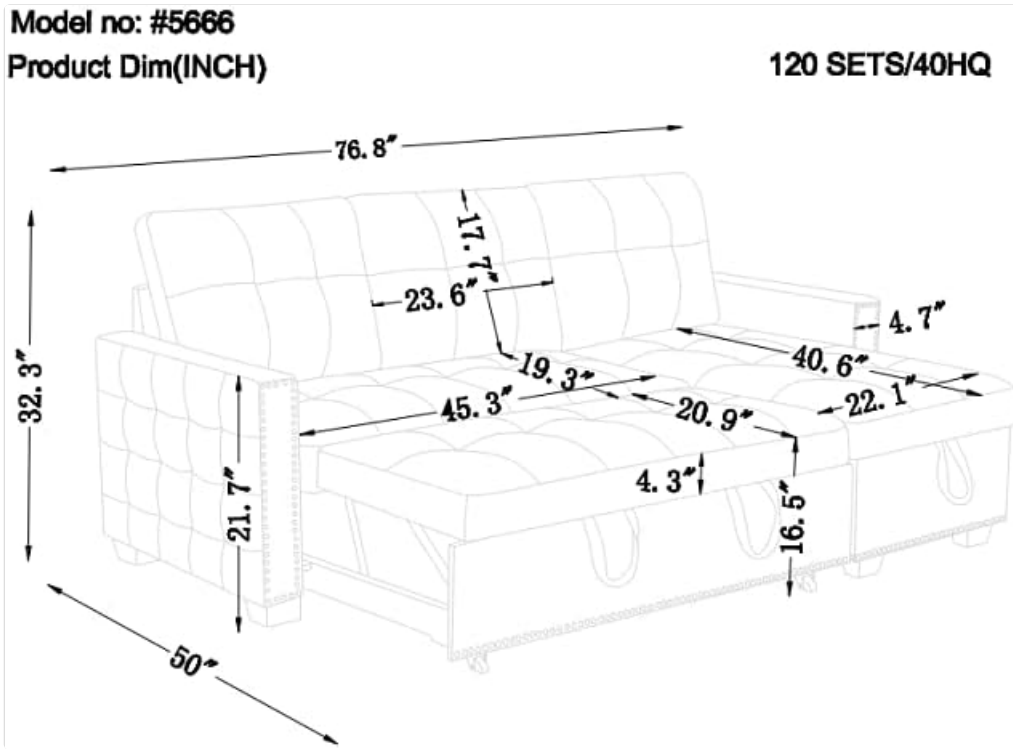
2. Product Overview

Key Features

- **Sleeper Sofa Bed:** Features foam filling for comfort and removable cushions for convenience.
- **Stylish and Functional:** Modern design with skin-feeling velvet fabric, a pull-out sleeper, and a storage chaise.
- **Reversible Design:** The chaise can be configured on either the left or right side to suit your living space.
- **Compact and Lightweight:** Designed for various living spaces with manageable dimensions.

Product Dimensions

Refer to the diagram below for detailed product dimensions.



This diagram illustrates the overall dimensions of the sofa bed, including its length (76.8 inches), width (50 inches), and height (32.3 inches), along with specific measurements for the seat depth, armrests, and pull-out bed section.

3. Setup and Assembly

Assembly of this Merax sofa is designed to be straightforward, typically taking 10 minutes or less. Follow the included assembly guide for step-by-step instructions. Ensure all components are unpacked and laid out before you begin.

General Assembly Steps (Refer to separate assembly guide for detailed diagrams):

1. Unpack all components and verify against the parts list.
2. Attach the legs to the main sofa frame and chaise base.
3. Connect the chaise section to the main sofa body using the provided connectors.
4. Place the back cushions and seat cushions onto the sofa.
5. Ensure all connections are secure before use.

4. Operating Instructions

Using the Sleeper Function

To convert your sofa into a sleeper bed:

1. Ensure there is enough clear space in front of the sofa.
2. Grasp the fabric handles located on the front of the pull-out section beneath the main seat cushions.
3. Gently pull the section outwards and upwards until it fully extends and locks into place, creating a flat sleeping surface.
4. To revert to sofa mode, lift the pull-out section slightly, push it back into the sofa frame, and ensure it is securely stowed.



This image displays the sectional sofa with its integrated pull-out sleeper bed fully extended, demonstrating how the sofa transforms into a sleeping surface.

Accessing Storage

The chaise section of your sofa includes a convenient storage compartment:

1. Locate the fabric loop or handle on the front edge of the chaise cushion.
2. Lift the chaise cushion upwards from the front. The lid will hinge open, revealing the storage space.
3. To close, gently lower the chaise cushion until it rests securely on the base.



This photograph highlights the convenient storage space located beneath the chaise section of the sofa, accessible by lifting the chaise cushion.

Reversible Chaise Configuration

The chaise can be positioned on either the left or right side of the sofa to adapt to your room layout:

1. Carefully disconnect the chaise section from the main sofa body.
2. Move the chaise to the desired side.
3. Re-attach the chaise to the main sofa body using the connectors, ensuring a secure fit.



A full view of the Merax sectional sofa in a dark grey velvet fabric, showcasing its L-shape configuration and modern design within a living room environment. This configuration can be reversed.

5. Maintenance and Care

Cleaning Instructions

- For general cleaning, simply wipe the surface of the sofa cover with a slightly damp cloth.
- Avoid using harsh chemicals, abrasive cleaners, or excessive moisture, as these can damage the velvet fabric.
- For spills, blot immediately with a clean, dry cloth. Do not rub.
- For stubborn stains, consult a professional upholstery cleaner.

General Care

- Avoid direct sunlight exposure to prevent fading of the fabric.
- Keep the sofa away from heat sources like radiators or fireplaces.
- Periodically fluff and rotate cushions to maintain their shape and extend their lifespan.
- Check and tighten all bolts and screws periodically to ensure stability.

6. Troubleshooting

Common Issues and Solutions

Issue	Possible Cause	Solution
Sofa feels unstable or wobbly	Loose connections or uneven legs.	Check all bolts and screws and tighten them. Ensure legs are properly installed and level.

Issue	Possible Cause	Solution
Sleeper mechanism is stiff	Mechanism needs lubrication or is obstructed.	Ensure no objects are blocking the mechanism. Apply a silicone-based lubricant to moving parts if necessary.
Fabric appears flattened or creased	Prolonged pressure or lack of fluffing.	Fluff cushions regularly. Gentle steaming may help remove creases.

7. Specifications

Feature	Detail
Brand	Merax
Model Number	5666
Product Dimensions (Overall)	50"D x 76.8"W x 32.3"H
Seat Depth	20 inches
Seat Height	15 inches
Color	Dark Gray
Style	Modern, L-Shape
Special Feature	Storage, Reversible Chaise, Sleeper Function
Upholstery Fabric Type	Velvet
Fill Material	Foam
Product Care Instructions	Wipe with a damp cloth
ASIN	B0CMQQ985W
GTIN/UPC	196986082069

8. Warranty and Support

For warranty information or technical support, please refer to the documentation included with your purchase or contact Merax customer service directly. You may also visit the official Merax website for further assistance.

Contact Information:

- Please refer to your purchase receipt or the Merax official website for the most current contact details.