

[Manuals.plus](#) /

> [vidaXL](#) /

> vidaXL Solid Pine Wood Laundry Hamper with Lid (Model 832319) - Instruction Manual

## vidaXL 832319

# vidaXL Solid Pine Wood Laundry Hamper with Lid

MODEL: 832319

## INTRODUCTION

Thank you for purchasing the vidaXL Solid Pine Wood Laundry Hamper with Lid. This product is designed to provide a practical and aesthetically pleasing solution for laundry storage in your home. Constructed from solid pine wood, it offers durability and a natural, rustic appearance. This manual contains important information regarding the assembly, safe use, and maintenance of your new laundry hamper. Please read it thoroughly before assembly and retain it for future reference.

## SAFETY INFORMATION

- **Wall Attachment:** To prevent overturning, this product **must** be used with the provided wall attachment device. Securely fasten the hamper to a wall according to the instructions in the assembly section.
- **Weight Limit:** Do not overload the hamper. Exceeding its capacity may compromise its structural integrity.
- **Children and Pets:** Keep children and pets away from the product during assembly. Small parts can be a choking hazard.
- **Placement:** Place the hamper on a flat, stable surface. Avoid placing it in areas with high humidity or direct sunlight to prevent wood warping or discoloration.
- **Cleaning:** Use only a damp cloth for cleaning. Avoid harsh chemicals or abrasive cleaners that could damage the wood finish.

## PACKAGE CONTENTS

Please check that all components are present before beginning assembly. If any parts are missing or damaged, contact vidaXL customer support.

- Wooden panels (sides, front, back, bottom, lid)
- Hinges and lid support mechanism
- Assembly hardware (screws, dowels, etc.)
- Wall attachment device

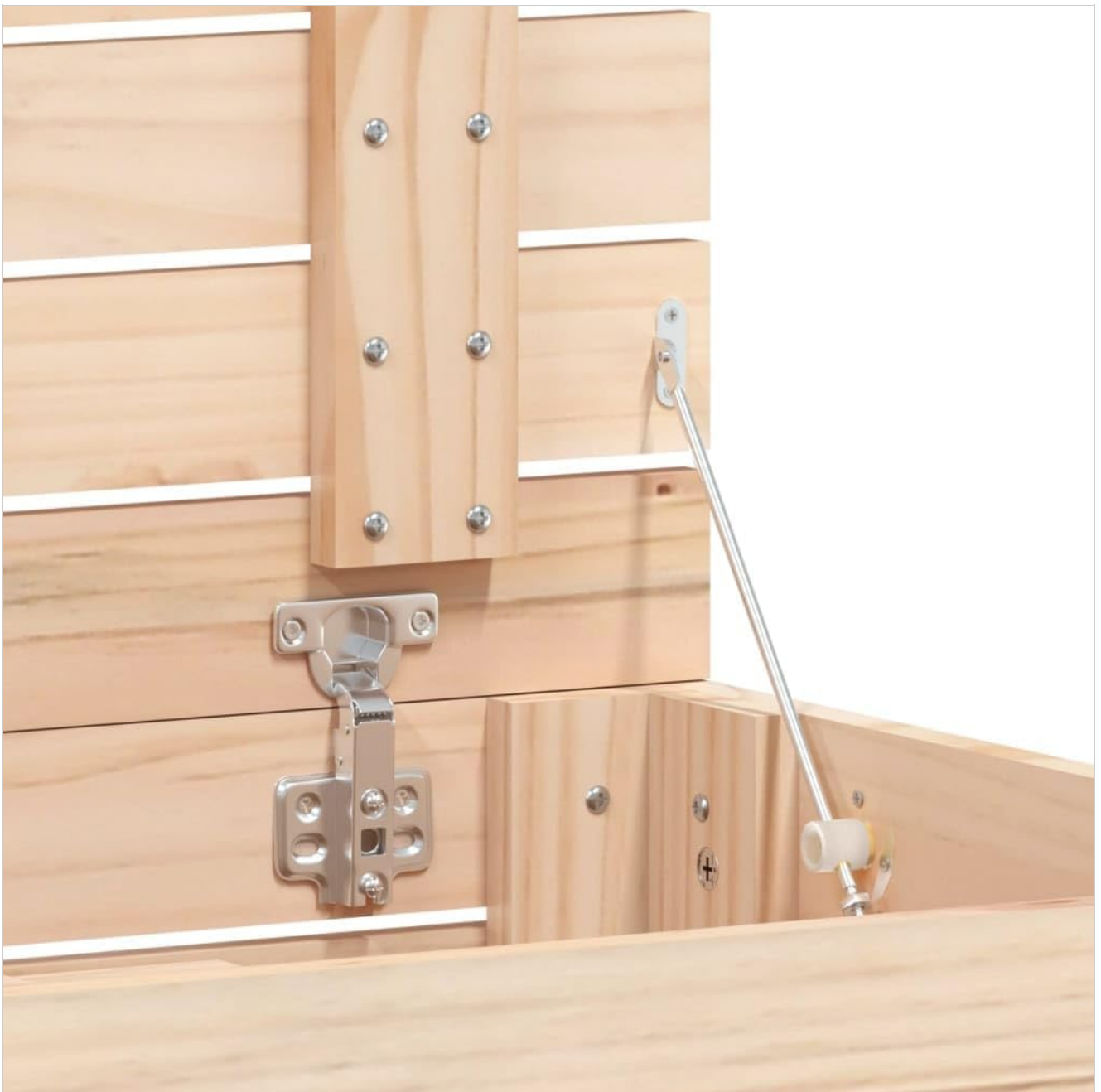
- Instruction manual

## ASSEMBLY INSTRUCTIONS

---

Assembly is required for this product. It is recommended to have two people for easier and safer assembly. You will need a screwdriver (not included).

1. **Unpack and Identify Parts:** Carefully unpack all components and lay them out on a clean, soft surface to prevent scratches. Identify each part using the provided diagrams (if available in the physical manual).
2. **Assemble Side Panels:** Attach the front and back panels to the side panels using the designated screws and dowels. Ensure all connections are secure.
3. **Attach Bottom Panel:** Slide and secure the bottom panel into the assembled frame.
4. **Install Lid Hinges:** Attach the hinges to the lid and the top edge of the back panel. Refer to the image below for hinge placement and orientation.



*Image: Close-up of the lid hinge mechanism.*

This image shows the detailed installation of the metal hinges and the lid support arm, which allows the lid to stay

open. Ensure all screws are tightened securely.

5. **Install Lid Support Mechanism:** Attach the lid support mechanism (if separate from hinges) to allow the lid to stay open safely. Refer to the image below for the open lid view.



*Image: Interior view with lid open.*

This image illustrates the hamper with its lid fully open, revealing the internal structure and the installed hinge and support mechanisms. Note the two internal sections.

6. **Secure Wall Attachment:** Position the assembled hamper in its desired location. Using the provided wall attachment device, secure the hamper to a sturdy wall stud or use appropriate wall anchors. This step is crucial for stability and safety.
7. **Final Check:** Ensure all screws are tight and the hamper is stable. The assembled hamper should resemble the

product image below.



*Image: Fully assembled laundry hamper.*

This image displays the complete, assembled laundry hamper from an angled front view, showcasing its slatted design and natural pine wood finish.

## OPERATING INSTRUCTIONS

---

The vidaXL Solid Pine Wood Laundry Hamper is designed for straightforward use.

- **Storing Laundry:** Lift the lid to place dirty laundry inside. The lid helps contain odors and keeps your laundry out of sight.
- **Transporting Laundry:** When it's time to wash, simply open the lid and remove the contents. The hamper is not designed for transport while full; empty it before moving.
- **Lid Functionality:** The lid is designed to open smoothly and stay open, providing easy access to the hamper's interior. Close the lid gently to avoid unnecessary wear on the hinges.

An example of the hamper in a typical room setting is shown below:



*Image: Laundry hamper in a room setting.*

This image shows the laundry hamper positioned in a room, demonstrating its size and appearance in a functional environment, possibly a laundry room or bathroom.

## MAINTENANCE

---

- **Cleaning:** Wipe the surfaces with a soft, damp cloth. For stubborn marks, a mild soap solution can be used, followed by wiping with a clean, damp cloth and then drying thoroughly. Do not use abrasive cleaners or solvents.
- **Wood Care:** As this product is made of untreated solid pine wood, it can be treated with wood oil or varnish to enhance its durability and appearance, if desired. Follow the instructions of the wood treatment product.
- **Hardware Check:** Periodically check all screws and connections to ensure they remain tight. Retighten if necessary to maintain stability.
- **Environmental Conditions:** Avoid prolonged exposure to direct sunlight or extreme humidity, which can cause the wood to dry out, crack, or warp.

## TROUBLESHOOTING

---

- **Hamper feels wobbly:** Ensure all assembly screws are fully tightened. Verify that the hamper is placed on a flat, even surface. Confirm the wall attachment device is securely installed.
- **Lid does not close properly:** Check that the hinges are correctly aligned and securely fastened. Ensure no laundry or objects are obstructing the lid's path.
- **Wood appears discolored or dry:** This is common for untreated wood. Consider applying a wood oil or varnish as part of maintenance to protect and enhance the wood.

## SPECIFICATIONS

---

Feature	Detail
Brand	vidaXL
Model Number	832319
Material	Solid Pine Wood (untreated)
Color	Brown (Natural Pine)
Dimensions (W x D x H)	34.8" x 17.3" x 26" (88.5 cm x 44 cm x 66 cm)
Item Weight	46.1 lbs (20.95 kg)
Assembly Required	Yes
Special Feature	Lid, Wall Attachment Device Included

For visual reference of dimensions, please see the diagram below:

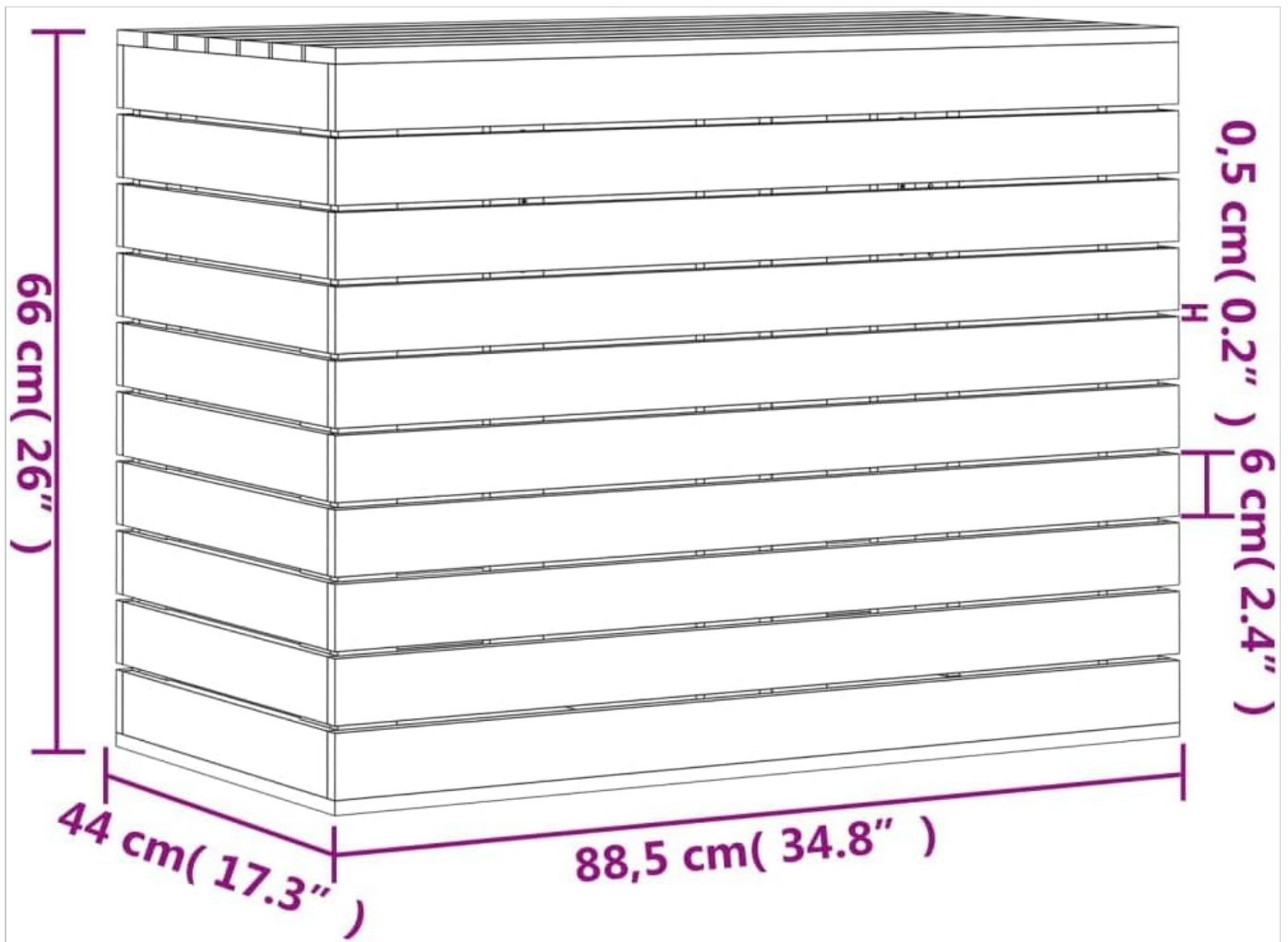


Image: Dimensional diagram.

This diagram provides precise measurements of the laundry hamper, including its width (88.5 cm / 34.8"), depth (44 cm / 17.3"), and height (66 cm / 26").

## WARRANTY AND SUPPORT

For warranty information, missing parts, or technical support, please contact vidaXL customer service. Refer to your purchase documentation for specific warranty terms and contact details.

You can typically find support information on the official vidaXL website or through the retailer where you purchased the product.

