

## Tribesigns F1665

# Tribesigns L Shaped Desk with Drawer and Lateral File Cabinet

Model: F1665

## INTRODUCTION

---

This manual provides comprehensive instructions for the assembly, operation, and maintenance of your Tribesigns 63-inch L Shaped Desk with Drawer and Lateral File Cabinet. Please read this manual thoroughly before beginning assembly or use to ensure proper setup and longevity of your product.

## SAFETY INFORMATION

---

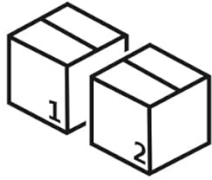
### Warning:

- Be careful with sharp corners during assembly and handling of the product components.
- Ensure all screws and fasteners are securely tightened before use to prevent instability.
- Do not overload drawers or shelves beyond their recommended weight capacity.
- Keep small parts and hardware away from children to prevent choking hazards.

## PACKAGE CONTENTS

---

Your Tribesigns L Shaped Desk and Lateral File Cabinet will arrive in two separate packages. Please verify that all components and hardware are present before beginning assembly. Refer to the included parts list in your physical instruction booklet for detailed identification.



TWO SEPARATE  
PACKAGE

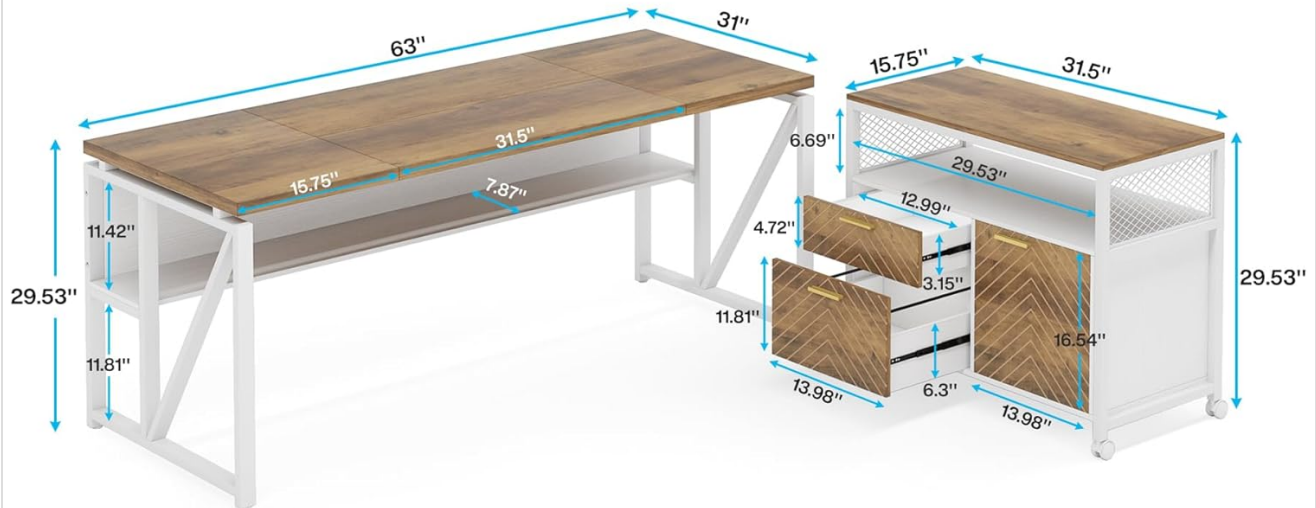


Image: The desk and cabinet components are shipped in two distinct packages.

## ASSEMBLY INSTRUCTIONS

Assembly requires careful attention to detail. It is recommended to use hand tools only to avoid damaging the particle board components. While one person can assemble the unit, certain steps may be easier with assistance.

### General Assembly Tips:

- Unpack all components and lay them out on a clean, soft surface to prevent scratches.
- Identify all parts and hardware using the provided list in your physical manual.
- Follow the step-by-step diagrams in your physical instruction booklet precisely.
- Do not overtighten screws, especially into particle board, to prevent stripping.
- Ensure all connections are firm and stable as you proceed.

### Desk Assembly:

The main desk unit forms a spacious work surface. The design allows for the filing cabinet to be positioned on either the left or right side, offering a reversible configuration to suit your office layout.



Image: The L-shaped desk configuration with the cabinet on the right.



Image: The L-shaped desk configuration with the cabinet on the left.

### **Lateral File Cabinet Assembly:**

The lateral file cabinet is a separate unit that can be attached to the desk to form an L-shape or used independently. Pay close attention to the drawer slide installation for smooth operation.

# 63" X 31" Spacious Desk



Image: Detailed view of the lateral file cabinet's features.

## PRODUCT FEATURES AND OPERATION

### 63-inch Computer Desk:

The desk provides a large work surface measuring approximately 63 inches in length, 31 inches in width, and 30 inches in height. It is designed to accommodate a laptop, multiple monitors, and various office accessories. A wide storage shelf is integrated beneath the desktop, offering additional space for books or office supplies.



Image: Dimensions and under-desk storage of the 63-inch computer desk.

### **32-inch Lateral Filing Cabinet:**

The mobile office storage cabinet measures approximately 32 inches in length, 16 inches in width, and 30 inches in height. It features a secondary work surface suitable for a printer or scanner. The cabinet includes a smaller drawer for office supplies and a larger drawer designed for hanging letter-size filing folders. A concealed space behind the doors offers additional storage for larger items. The cabinet is equipped with casters for easy repositioning.

### **Reversible Design:**

The two-piece design allows for flexible configuration. The desk and filing cabinet can be arranged as an L-shaped unit with the cabinet on either the left or right side, or they can be used as separate freestanding pieces of furniture.



Image: The desk configured as a straight, freestanding unit.

## MAINTENANCE

---

To maintain the appearance and longevity of your desk and cabinet, follow these care instructions:

- **Cleaning:** Wipe surfaces with a damp cloth. Avoid harsh chemicals or abrasive cleaners that may damage the finish.
- **Spills:** Clean spills immediately to prevent staining or damage to the wood finish.
- **Protection:** Use coasters under beverages and placemats under hot items to protect the desktop.
- **Hardware:** Periodically check and tighten all screws and fasteners to ensure stability.
- **Movement:** When moving the furniture, lift it rather than dragging it to prevent damage to the legs and frame.

## TROUBLESHOOTING

---

### Common Issues and Solutions:

- **Difficulty during assembly:** Ensure you are using the correct hardware for each step. Some parts or hardware may appear similar but are specific to certain sections. Refer to the detailed diagrams in your physical manual.
- **Mislabeled parts:** In rare cases, parts or hardware may be mislabeled. If you encounter this, compare the physical components to the diagrams and dimensions provided in the manual to identify the correct pieces.
- **Wobbly desk/cabinet:** Check that all screws are fully tightened. Ensure the furniture is placed on a level surface. Adjustable feet (if present) can be used to stabilize the unit.
- **Drawers not sliding smoothly:** Verify that the drawer slides are installed correctly and are aligned. Ensure no

debris is obstructing the tracks.

- **Missing parts:** If any parts are missing, please contact customer support with your product model number and the specific part number from the manual.

## SPECIFICATIONS

Feature	Detail
Brand	Tribesigns
Model Name	F1665
Product Dimensions	54"D x 63"W x 29"H (Overall L-shape)
Color	Walnut
Style	Modern
Base Material	Metal
Finish Type	Painted
Special Feature	Reversible configuration
Room Type	Bedroom, Dormitory, Office
Product Care Instructions	Wipe with Damp Cloth
Item Weight	120 Pounds
Number of Shelves	3 (including under-desk shelf and cabinet shelves)
Drawer Type	File Drawer (Letter Size)
Included Components	Tools for assembly
Assembly Required	Yes
Date First Available	December 24, 2022



Image: Detailed dimensions of the desk and cabinet components.

## WARRANTY AND SUPPORT

---

For warranty information or customer support, please refer to the contact details provided in your product packaging or visit the official Tribesigns website. Please have your model number (F1665) and purchase date available when contacting support.