



[Manuals.plus](#) /

> [COBI](#) /

> COBI Historical Collection WWII Sd. Kfz. Ferdinand Tank Instruction Manual

COBI 2583

COBI Historical Collection WWII Sd. Kfz. Ferdinand Tank Instruction Manual

Model: 2583

[Contents](#) [Assembly](#) [Introduction](#) [Safety Information](#) [Package](#)
[Features](#) [Specifications](#) [Maintenance](#) [Troubleshooting](#) [Support](#)

1. INTRODUCTION

This manual provides detailed instructions for the assembly and care of your COBI Historical Collection WWII Sd. Kfz. Ferdinand Tank building block model (Model 2583). The Ferdinand was a German heavy tank destroyer used during World War II, known for its powerful 88mm anti-tank gun and thick armor. This 1:28 scale model accurately recreates this historical vehicle with 1,268 high-quality elements.



Figure 1: Assembled COBI Sd. Kfz. Ferdinand Tank model.

2. SAFETY INFORMATION

WARNING: CHOKING HAZARD - Small parts. Not for children under 3 years.

- Keep all small parts away from young children to prevent accidental ingestion.
- Ensure all building blocks are securely connected during assembly to avoid loose pieces.
- Dispose of packaging materials responsibly.

3. PACKAGE CONTENTS

Before beginning assembly, please verify that all components are present in your package. The COBI Sd. Kfz. Ferdinand Tank model includes:

- 1268 high-quality building elements.
- 1 detailed commander figure.
- 1 nameplate for display.
- Clear and intuitive instruction manual with illustrations.



Figure 2: The product box illustrating the model and its key features.

4. ASSEMBLY INSTRUCTIONS

The COBI Sd. Kfz. Ferdinand Tank model is designed for intuitive assembly. Follow the step-by-step directions provided in the included printed manual. Each step is clearly illustrated to guide you through the construction process.

1. **Unpack Components:** Carefully open the packaging and sort the building elements. It is recommended to organize pieces by color or type to facilitate assembly.
2. **Follow Step-by-Step Guide:** Refer to the included instruction booklet. Each page details specific connections and placements of blocks.
3. **Ensure Secure Connections:** Press each block firmly into place to ensure a stable and durable model.
4. **Verify Progress:** Periodically compare your progress with the illustrations to ensure accuracy.

For best results, assemble the model on a clean, flat surface. Take your time and enjoy the building process.

5. FEATURES AND FUNCTIONALITY

The COBI Sd. Kfz. Ferdinand Tank model incorporates several functional and detailed elements:

- **Removable Engine Replica:** A detailed block replica of the engine can be removed for display or inspection.
- **Working Tracks:** The model features functional tracks, allowing for realistic movement.
- **Movable Cannon:** The main cannon can be adjusted vertically and horizontally.
- **Recreated Interior Elements:** The model includes internal details for enhanced realism.
- **Opening Hatches:** Various hatches on the model can be opened.

- **Commander Figure:** A detailed figure of the vehicle commander, complete with accessories like binoculars and headphones, is included.

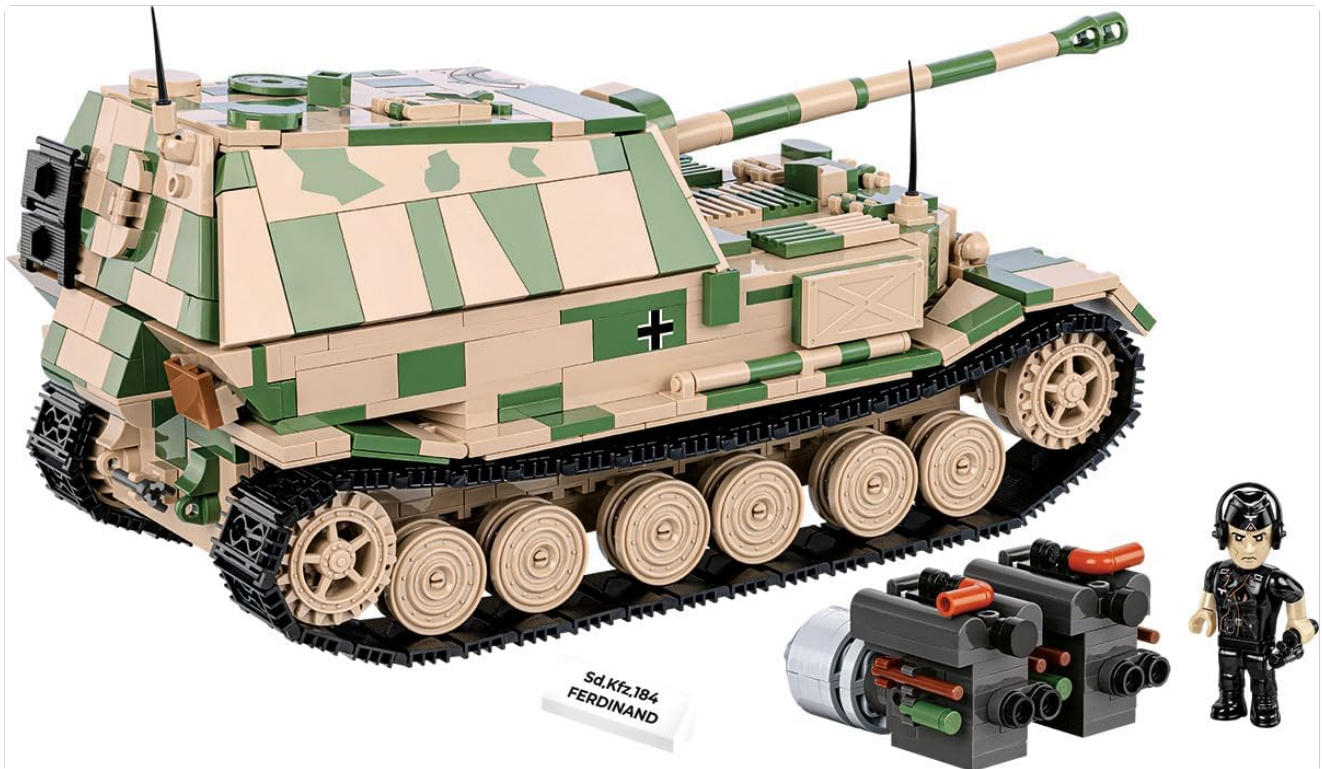


Figure 3: The model showcasing the removable engine and included commander figure.

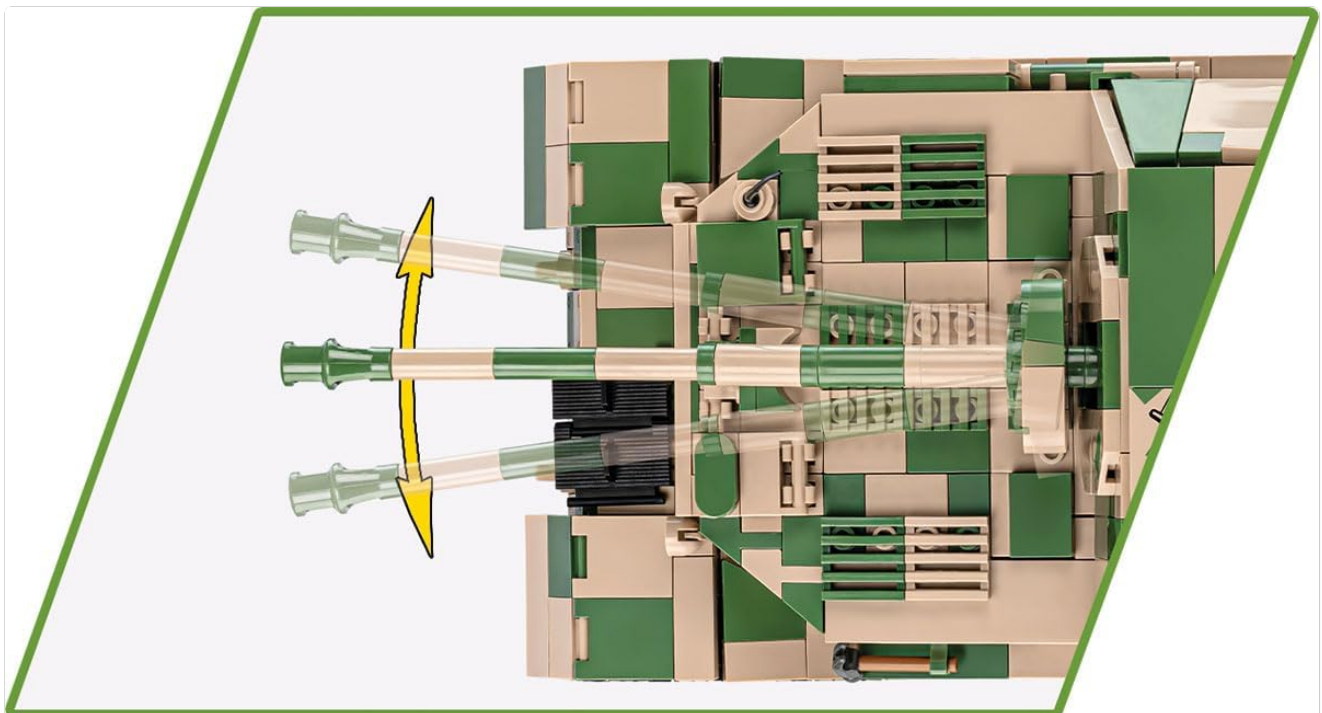


Figure 4: Illustration of the cannon's vertical and horizontal movement.

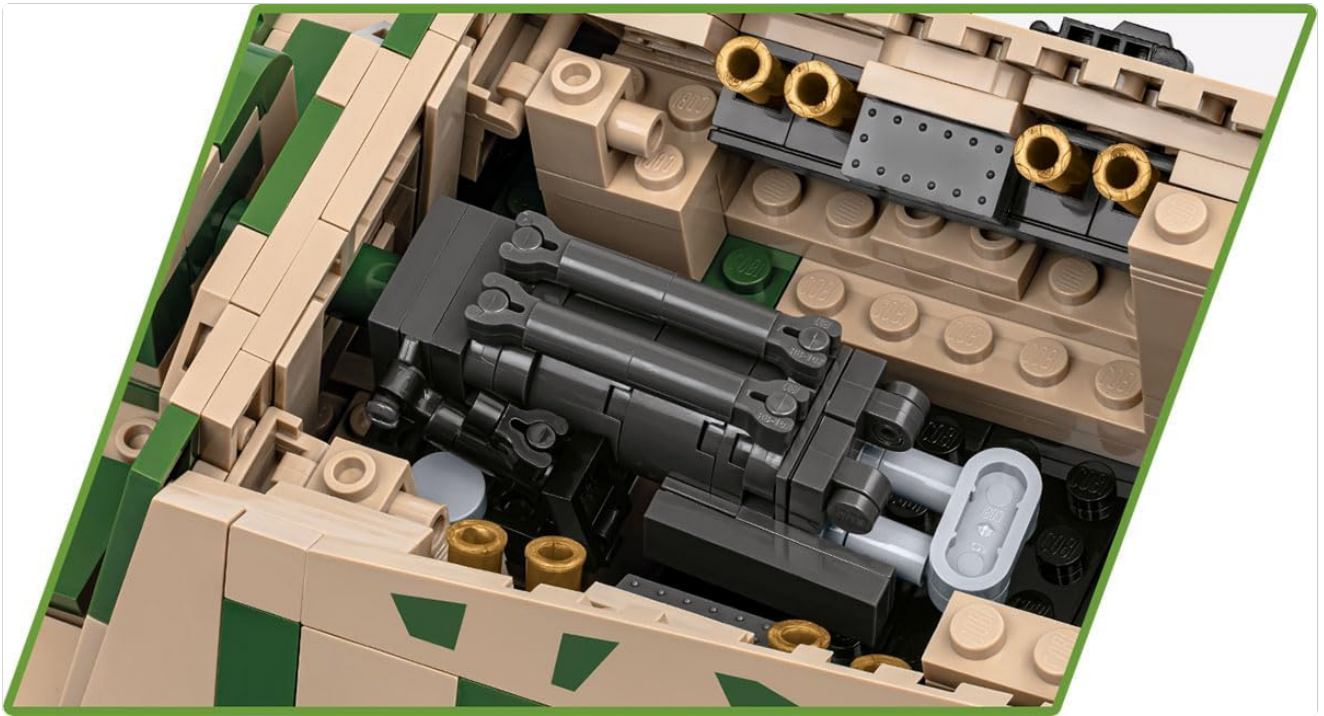


Figure 5: View of the recreated interior elements of the tank destroyer.

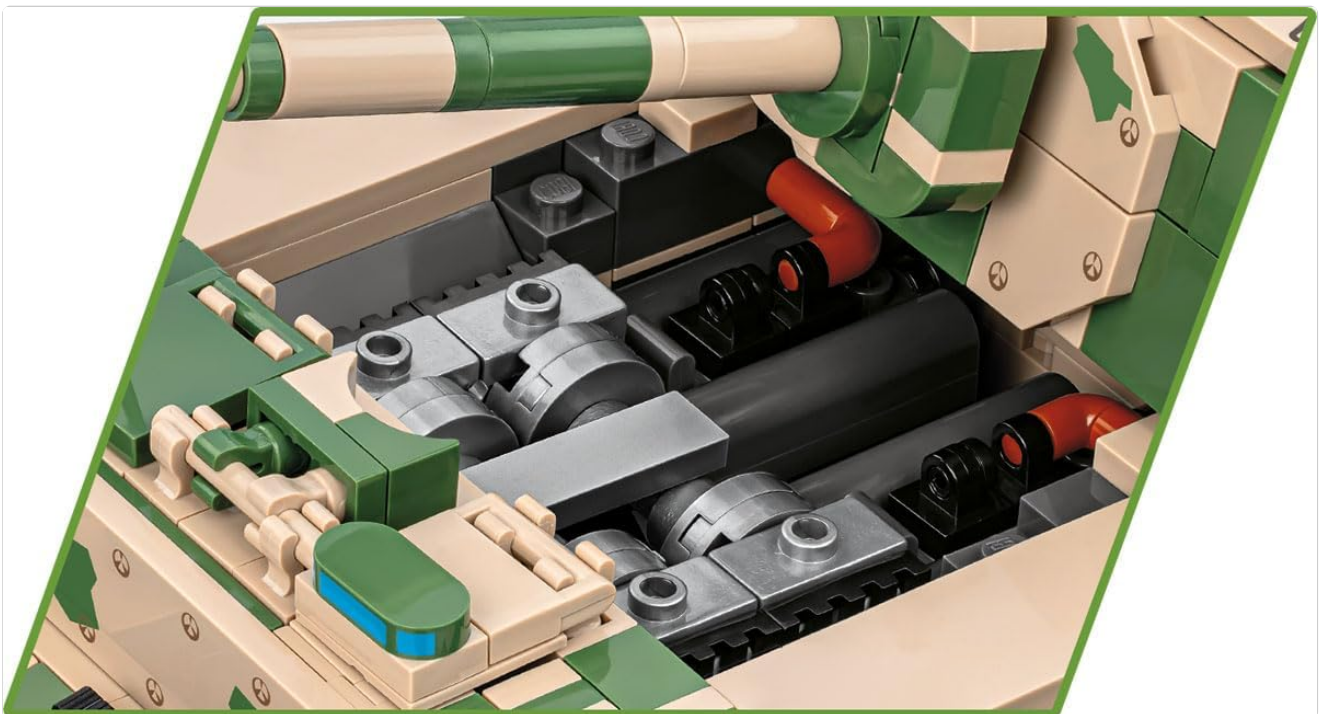


Figure 6: Close-up of the removable engine replica.

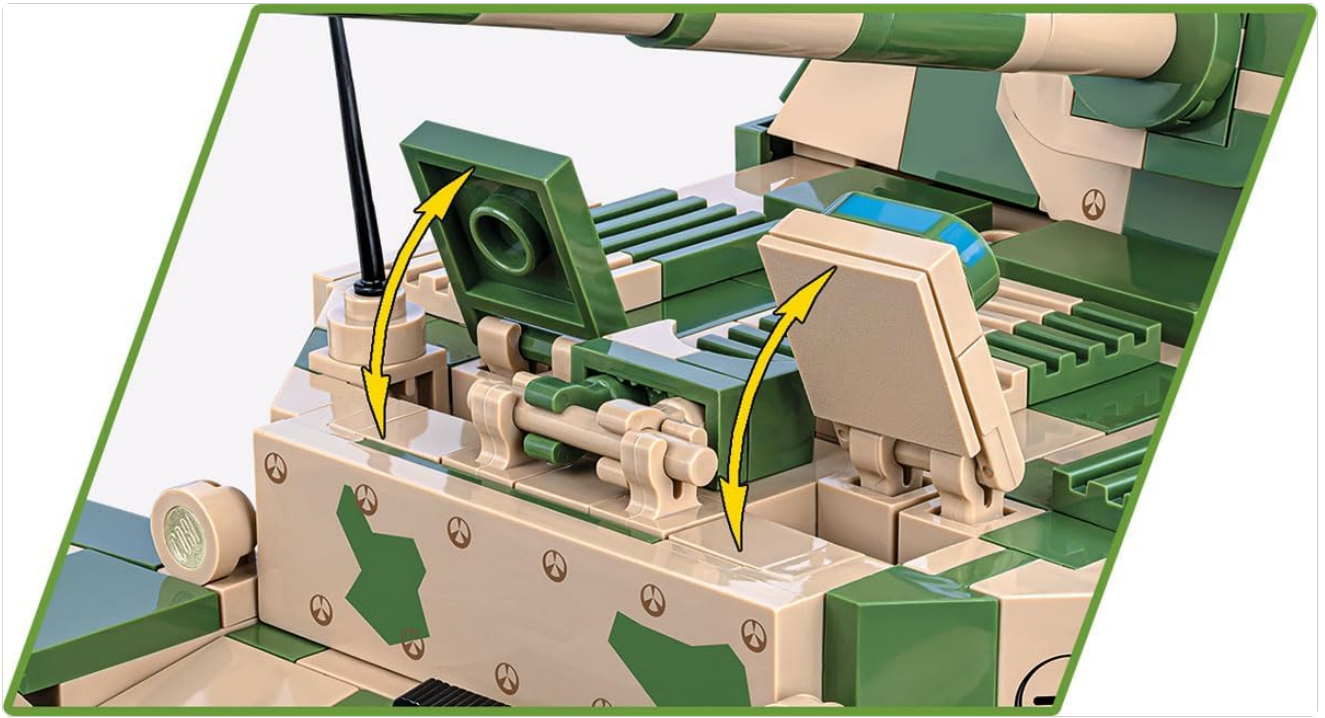


Figure 7: Demonstration of the model's opening hatches.



Figure 8: The detailed commander figure with accessories.

6. SPECIFICATIONS

Key specifications for the COBI Sd. Kfz. Ferdinand Tank model (Model 2583):

Attribute	Detail
Model Number	2583
Brand	COBI
Scale	1:28
Number of Elements	1268
Assembled Dimensions (L x W x H)	28.5 cm (11.2") x 12.5 cm (4.9") x 14 cm (5.5")
Item Weight	2.65 pounds
Recommended Age	9 years and up
Release Date	February 15, 2024

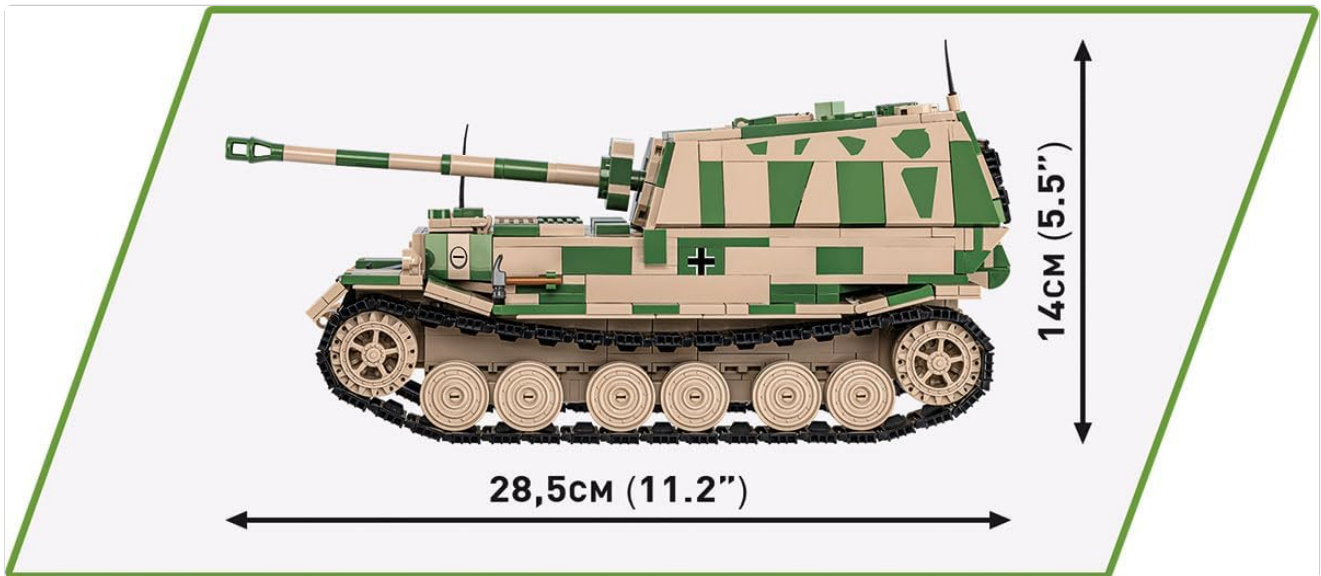


Figure 9: Side view with length and height dimensions.

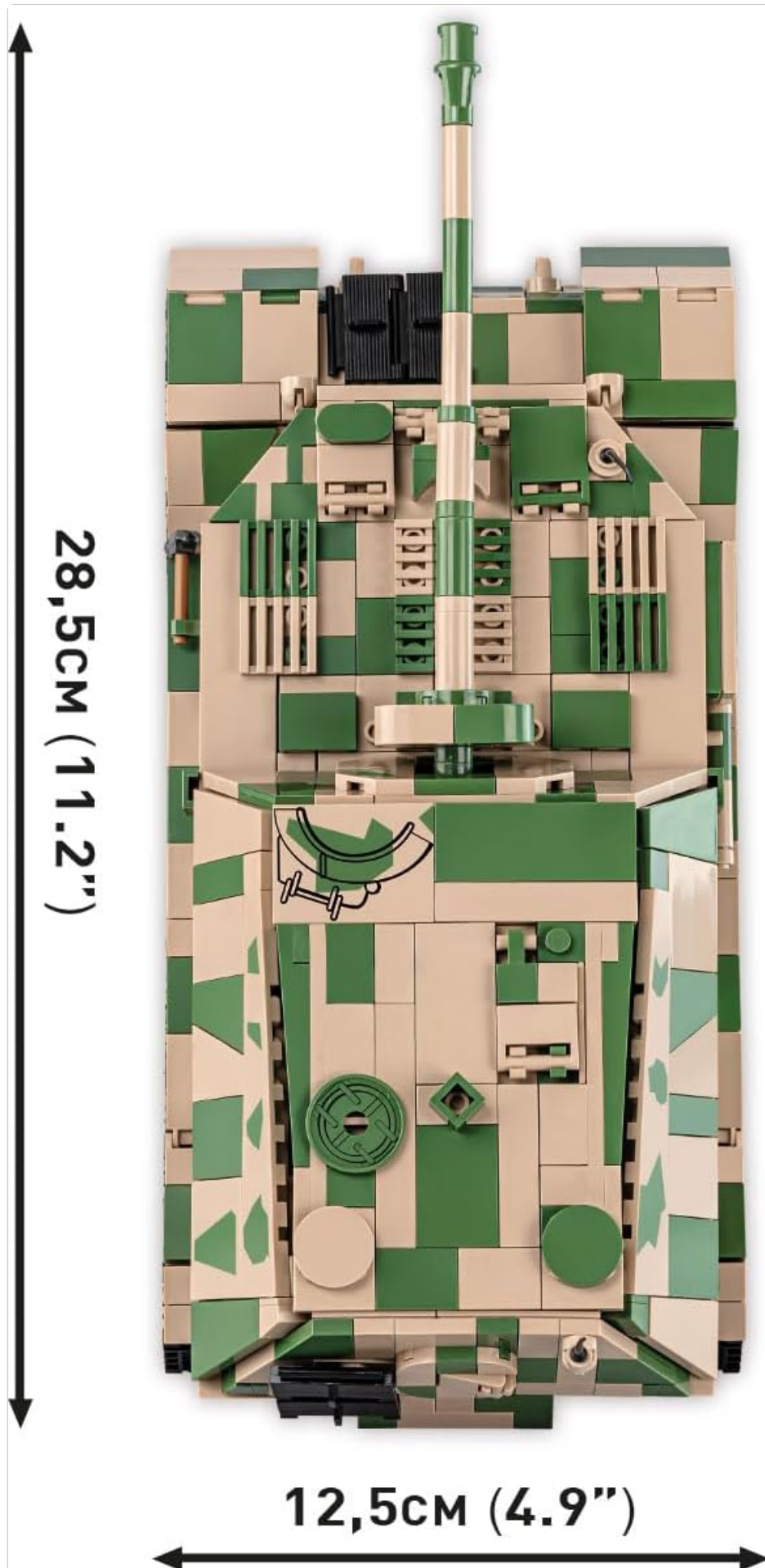


Figure 10: Top view with width and length dimensions.

Sd.Kfz. 184 FERDINAND

IN SERVICE - 1943 - 1945

PLACE OF ORIGIN - GERMANY

TYPE - HEAVY TANK DESTROYER

WEIGHT - 65T (143 300LB)

ARMOUR - 20-200MM (.8-7.9")

ARMAMENT - 8,8CM (3.46") KwK 43 L/71

ENGINE - MAYBACH 120TRM, 442KW (592HP)

SPEED - 30KM/H (19MPH)

RANGE - 150KM (93MI)

CREW - 6



Figure 11: Display plate with historical and technical data for the Sd.Kfz. 184 Ferdinand.

7. MAINTENANCE

To ensure the longevity and appearance of your COBI model, follow these simple maintenance guidelines:

- **Cleaning:** Dust the model regularly with a soft, dry cloth or a soft brush. For more stubborn dirt, a slightly damp cloth can be used, but avoid excessive moisture.
- **Storage:** Store the model in a cool, dry place away from direct sunlight to prevent discoloration or warping of the plastic elements.
- **Handling:** Handle the model carefully, especially when moving it, to avoid accidental detachment of parts.
- **Part Replacement:** In case of lost or damaged parts, contact COBI customer support for assistance.

8. TROUBLESHOOTING

If you encounter any issues during or after assembly, consider the following common solutions:

- **Missing Parts:** Double-check all packaging materials and the assembly area. If a part is genuinely missing, contact COBI customer support.
- **Loose Connections:** Ensure all blocks are pressed firmly together. If a connection remains loose, verify that the correct parts are being used as per the instructions.
- **Assembly Difficulty:** Review the instruction manual carefully, paying close attention to the illustrations for the problematic step. Sometimes, a small detail can be overlooked.
- **Model Instability:** Re-examine the base and structural components for any incorrectly placed or loosely

connected blocks.

9. WARRANTY AND SUPPORT

COBI products are manufactured to high-quality standards. For any questions, concerns, or support regarding your Sd. Kfz. Ferdinand Tank model, please contact COBI customer service directly. Information regarding warranty policies and contact details can typically be found on the official COBI website or within the product packaging. Visit the official COBI website for further assistance:cobi.pl