

[Manuals.plus](#) /

› [IDEALHOUSE](#) /

› IDEALHOUSE Storage Chest with Wheels (Model SC01) User Manual

IDEALHOUSE SC01

IDEALHOUSE Storage Chest with Wheels (Model SC01) User Manual

Model: SC01 | Brand: IDEALHOUSE

INTRODUCTION

Thank you for choosing the IDEALHOUSE Storage Chest, Model SC01. This versatile wooden storage bench is designed to provide ample storage and comfortable seating, featuring easy-glide wheels for mobility and safety hinges for secure operation. This manual provides essential information for assembly, safe operation, and maintenance to ensure long-lasting use of your product.



Image: The IDEALHOUSE Storage Chest (Model SC01) in white, presented in a living space.

SAFETY INFORMATION

- **Weight Capacity:** Do not exceed the maximum weight capacity of 350 lbs (approximately 2 adults) on the top surface of the chest. Overloading can cause damage or injury.
- **Lid Safety:** The lid is equipped with safety support hinges to prevent sudden closing. Always open and close the lid slowly and with care to avoid finger pinching.
- **Rounded Corners:** The chest features rounded corners and edges to minimize the risk of injury.
- **Stability:** Ensure the chest is placed on a level surface. When moving, unlock the casters. When stationary, engage the brakes on the casters to prevent unintended movement.
- **Children:** Keep children away from the chest during assembly. Do not allow children to play inside the chest to prevent suffocation.

18MM THICK BOARDS

Maximum withstand 350lbs (2 people)

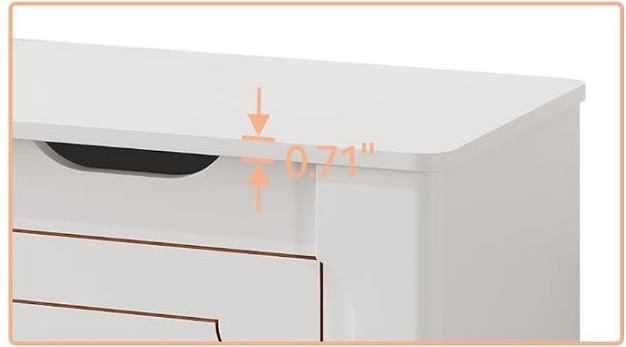


Image: The storage chest supporting two individuals, highlighting its robust 350 lbs load capacity.

PACKAGE CONTENTS

Before beginning assembly, please verify that all components listed below are present and undamaged. If any parts are missing or damaged, please contact customer support.

- 1 x Storage Chest (disassembled components)
- 1 x Assembly Kit (hardware, screws, tools if applicable)
- 1 x Instructions Manual (this document)

SETUP AND ASSEMBLY

Assembly is required for this storage chest. Follow the included instructions carefully. It is recommended to assemble the unit on a soft, clean surface to prevent scratches.

1. **Unpack Components:** Carefully remove all parts from the packaging and lay them out on a protected surface. Identify each part using the provided parts list.
2. **Attach Casters:** Secure the four industrial casters to the bottom panel of the chest. Ensure the two casters with brakes are positioned on the same side for easier locking.
3. **Assemble Frame:** Connect the side panels, front panel, and back panel to the bottom panel using the provided hardware. Tighten all connections securely.
4. **Install Lid and Hinges:** Attach the lid to the main body of the chest using the safety support hinges and connecting hinges. Ensure the hinges are properly aligned for smooth operation and safety.
5. **Final Checks:** Verify all screws are tightened and the chest is stable. Test the lid's opening and closing mechanism to ensure the safety hinges function correctly.



Image: Detail of the 360-degree rotating casters, including the brake mechanism for stability.

OPERATING INSTRUCTIONS

- **Opening the Lid:** Gently lift the lid. The safety support hinges will hold the lid open at various angles, preventing it from slamming shut.
- **Accessing Storage:** The U-shaped cutout design allows for easy one-handed access to items stored inside, while also providing ventilation.
- **Moving the Chest:** To move the chest, ensure the brakes on the casters are disengaged. The 360-degree rotating casters allow for smooth movement in any direction.
- **Securing the Chest:** To keep the chest stationary, engage the brakes on the two designated casters by pressing down the locking button.
- **Storage Capacity:** The chest provides ample space for blankets, pillows, cushions, clothes, books, and other household items.

SAFE LID

Securely Stay Open at Any Angle to Accidental Slamming

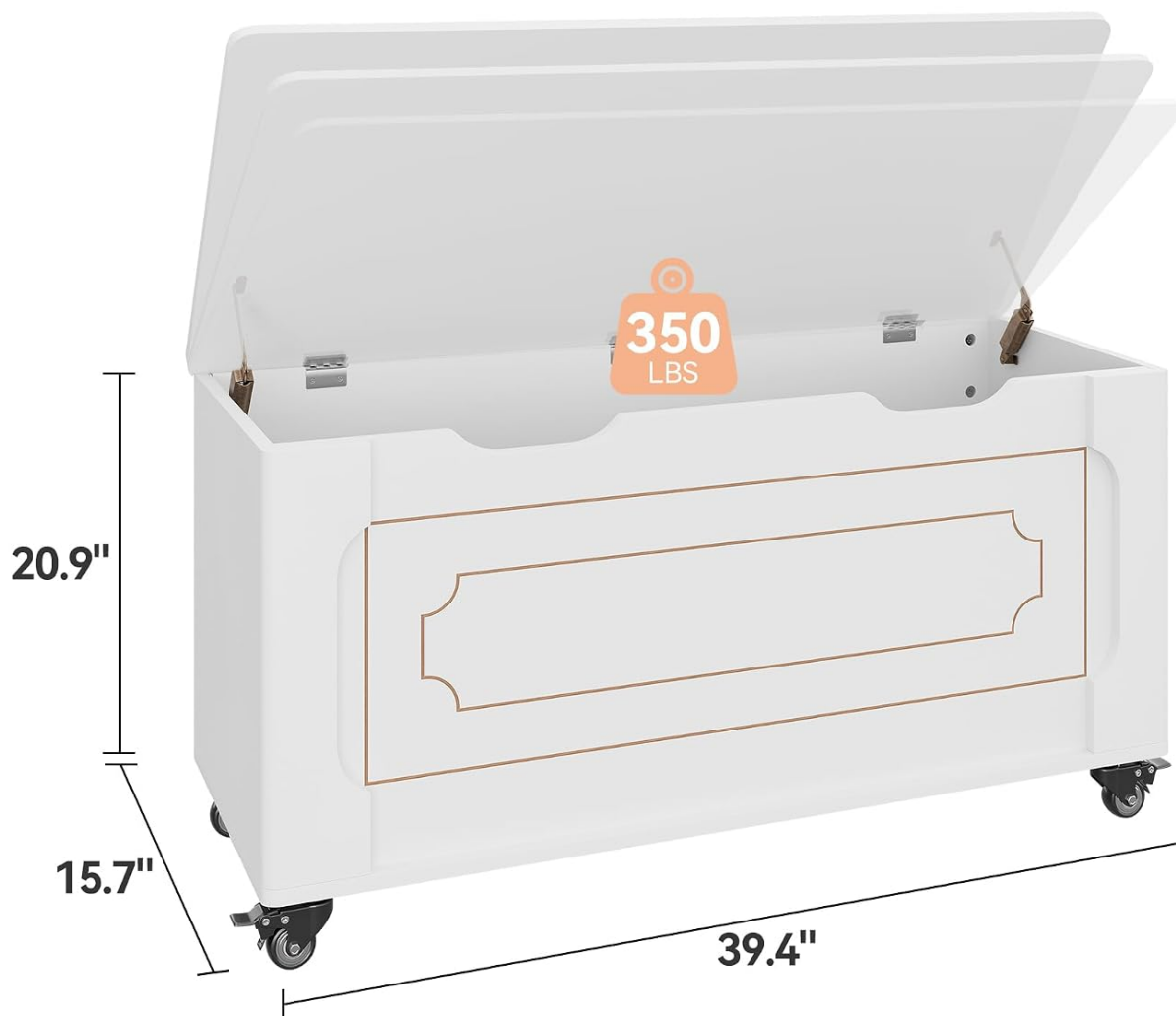


Image: The storage chest with its lid open, illustrating the safety hinges and internal dimensions.



Safety Hinges

Image: Detail of the safety hinges, designed to prevent the lid from slamming shut.

MAINTENANCE

To maintain the appearance and longevity of your IDEALHOUSE Storage Chest, follow these simple care instructions:

- **Cleaning:** Wipe the surface with a dry, soft cloth. Avoid using abrasive cleaners, harsh chemicals, or excessive

moisture, as these can damage the engineered wood finish.

- **Spills:** In case of spills, wipe immediately with a dry cloth to prevent staining or water damage.
- **Caster Care:** Periodically check the casters for any debris or hair that might impede smooth movement. Clean as necessary.
- **Hinge Inspection:** Occasionally inspect the safety hinges and connecting hinges to ensure they are secure and functioning properly. Tighten any loose screws if needed.

TROUBLESHOOTING

Problem	Possible Cause	Solution
Lid does not stay open or slams shut.	Safety hinges are not properly installed or are damaged.	Ensure hinges are correctly installed and all screws are tightened. If damaged, contact customer support for replacement parts.
Chest is difficult to move or casters are stiff.	Caster brakes are engaged, or debris is caught in the wheels.	Disengage caster brakes. Check wheels for hair, dust, or other obstructions and clean them.
Chest feels unstable or wobbly.	Loose assembly screws or uneven placement.	Check and tighten all assembly screws. Ensure the chest is placed on a flat, level surface.

SPECIFICATIONS

Model Number	SC01
Brand	IDEALHOUSE
Product Dimensions (D x W x H)	39.4" x 15.7" x 20.9"
Material	Engineered Wood (MDF Board)
Color	White
Maximum Weight Recommendation	350 Pounds
Item Weight	26.5 Pounds
Casters	4 industrial casters, 2 with brakes
Safety Features	2 Safety Support Hinges, Rounded Corners, U-Shape Cutout
Assembly Required	Yes
UPC	196336893482

WARRANTY AND SUPPORT

For warranty information or technical support, please refer to the retailer's policy or contact IDEALHOUSE customer service directly. Keep your purchase receipt for any warranty claims.

For further assistance, you may visit the IDEALHOUSE Store on Amazon:[IDEALHOUSE Store](#)