



Manuals.plus /

› WinZo /

› WinZo WZ5023 Tall One-Piece Dual Flush Toilet User Manual

## WinZo WZ5023

# WinZo WZ5023 Tall One-Piece Dual Flush Toilet User Manual

Model: WZ5023

## 1. INTRODUCTION

---

Thank you for choosing the WinZo WZ5023 Tall One-Piece Dual Flush Toilet. This manual provides essential information for the safe installation, operation, and maintenance of your new toilet. Please read these instructions thoroughly before beginning installation and keep them for future reference.

The WinZo WZ5023 is designed for comfort and efficiency, featuring an ADA compliant 18.75-inch seat height and a powerful dual flush system to conserve water.

## 2. SAFETY INFORMATION

---

- Always wear appropriate personal protective equipment, such as safety glasses and gloves, during installation.
- Turn off the main water supply before starting any installation or maintenance work.
- Ceramic is heavy and fragile. Handle the toilet with care to prevent injury or damage. It is recommended to have two people for lifting and positioning.
- Ensure all connections are secure and leak-free before restoring water supply.
- If you are unsure about any part of the installation process, consult a qualified plumber.

## 3. PACKAGE CONTENTS

---

Verify that all components are present and undamaged before beginning installation:

- One-piece toilet with pre-installed fill valve and flush valve
- Soft-close toilet seat
- Toilet seat bolts
- Toilet push button (dual flush mechanism)
- Wax ring
- Floor mounted bolts and caps
- Installation manual (this document)



Figure 3.1: Overview of the WinZo WZ5023 Tall One-Piece Dual Flush Toilet. This image displays the complete toilet unit, highlighting its sleek, one-piece design and comfortable height.

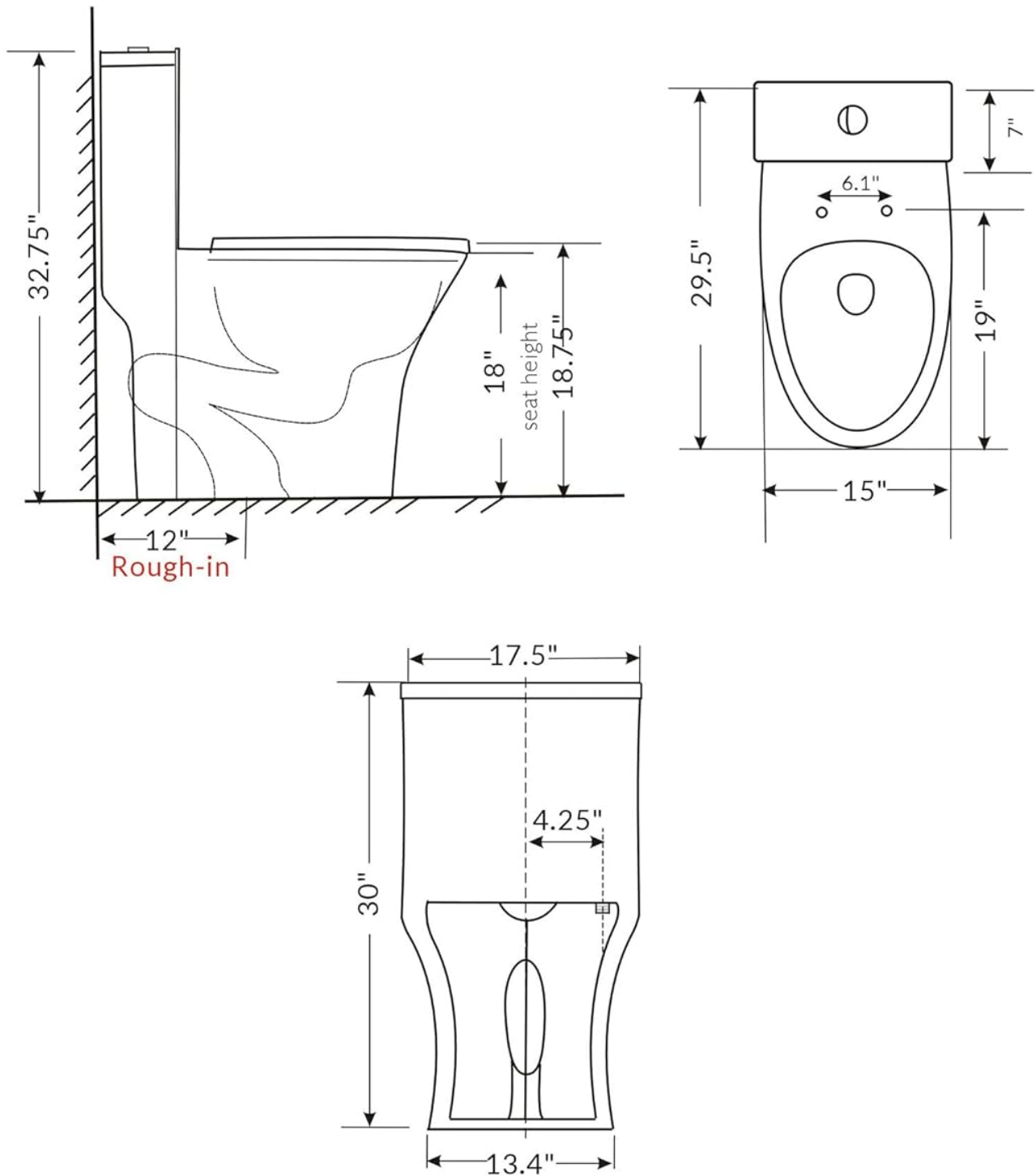
## 4. SPECIFICATIONS

---

<b>Feature</b>	<b>Description</b>
Model Number	WZ5023
Color	White
Product Dimensions (D x W x H)	29.5" x 17.5" x 32.75"
Material (Toilet)	Ceramic
Material (Seat)	UF heavy duty
Item Weight	122 Pounds
Installation Type	Floor Mounted
Shape	Oval
Seat Height	18.75" (ADA Compliant)
Rough-in	Standard 12"
Flush System	Dual Flush (0.8 GPF / 1.6 GPF)

# Specification:

High Efficiency One Piece Toilet WZ5023



**ATTENTION:** Dimensions may vary by up to 3/8". It is highly recommended to pull all dimensions of actual model for installation and measuring purposes.

Figure 4.1: Detailed dimensions and rough-in requirements for the WinZo WZ5023 toilet. This diagram is crucial for proper installation planning.

## 5. SETUP AND INSTALLATION

---

## 5.1 Pre-Installation Checks

- Ensure your bathroom has a standard 12-inch rough-in measurement from the wall to the center of the drain pipe.
- Confirm the water supply shut-off valve is accessible and in good working order.
- Clear the installation area of any obstructions.

## 5.2 Floor Bolt Installation

1. Install the floor bolts into the flange, ensuring they are securely tightened.
2. Place the wax ring evenly around the toilet horn on the bottom of the toilet or directly onto the floor flange.

## 5.3 Setting the Toilet

1. Carefully lower the toilet onto the floor bolts, aligning the holes in the toilet base with the bolts. Press down firmly and evenly to compress the wax ring.
2. Install washers and nuts onto the floor bolts. Tighten them alternately and evenly until the toilet is stable, but do not overtighten to avoid cracking the ceramic.
3. Attach the decorative caps over the nuts.

## 5.4 Connecting Water Supply

1. Connect the flexible water supply line from the shut-off valve to the fill valve inlet on the toilet tank. Hand-tighten first, then use a wrench for a final quarter-turn. Do not overtighten.
2. Slowly turn on the water supply valve and check for leaks.

## 5.5 Installing the Toilet Seat

1. Insert the seat bolts into the holes on the toilet bowl rim.
2. Place the soft-close toilet seat onto the bolts and secure it with the provided fasteners. Ensure the quick-release mechanism is properly engaged.

# 6. OPERATING INSTRUCTIONS

---

## 6.1 Dual Flush System

Your WinZo WZ5023 toilet features a water-saving dual flush system:

- **Half Flush (0.8 GPF):** Press the smaller button on the top of the tank for liquid waste. This uses less water.
- **Full Flush (1.6 GPF):** Press the larger button for solid waste. This provides a powerful flush for effective waste removal.

WZ5023

## One Piece Toilet

### Premium Vitreous China Construction

Smooth surface & easy to clean

### UF Soft Closing Seat

Durable material,  
Close quietly and slowly.  
Quick install and release.

### Sleek look, Skirted design

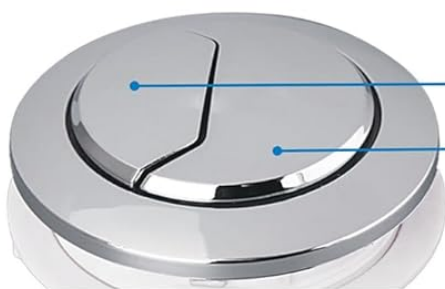
Concealed trapway,  
no groove, no corner.  
easy to clean.

### Side opening holes provided

Easy installation.

**18" Extra Tall Bowl**  
easy sitting up & down

### Dual Flush 0.8/1.6GPF-Optional for half or full flush



Half Flush 0.8 GPF

Full Flush 1.6 GPF



Figure 6.1: The dual flush buttons on the tank lid and the internal flush mechanism. The smaller button activates a half flush, and the larger button activates a full flush.

### 6.2 Soft-Close Seat

The toilet seat is equipped with a soft-close feature to prevent slamming. Gently push the seat or lid down, and it will close slowly and quietly on its own.

### 6.3 Product Overview Video



Video 6.1: This video provides a visual overview of the WinZo Tall One-Piece Toilet, showcasing its modern design and features. While not a step-by-step instruction, it offers a general understanding of the product's appearance and functionality.

## 7. MAINTENANCE

---

### 7.1 Cleaning the Toilet

- Clean the ceramic surfaces with a soft cloth and a mild, non-abrasive bathroom cleaner. Avoid harsh chemicals, abrasive pads, or strong acids, as these can damage the finish.
- For the toilet seat, use a soft cloth with mild soap and water. The UF heavy-duty material is durable but can be damaged by strong cleaners.
- The skirted design of the toilet makes it easy to clean the exterior surfaces.



Figure 7.1: The WinZo WZ5023 toilet with the seat in the upright position, demonstrating accessibility for cleaning the bowl and rim.

### 7.2 Removing the Soft-Close Seat for Cleaning

The quick-release feature allows for easy removal of the toilet seat for thorough cleaning:

1. Locate the quick-release buttons or tabs near the hinges of the seat.
2. Press the buttons or lift the tabs to disengage the seat from the bolts.

3. Lift the seat straight up to remove it.
4. Clean the seat and the toilet rim thoroughly.
5. To reattach, align the seat with the bolts and press down until it clicks into place.

## 8. TROUBLESHOOTING

---

Problem	Possible Cause	Solution
Weak Flush	Low water level in tank; partially closed water supply valve; clogged rim jets or trapway.	Ensure water supply valve is fully open. Check water level in tank and adjust fill valve if necessary. Clean rim jets and clear any obstructions in the trapway.
Continuous Running Water	Faulty flapper/flush valve seal; fill valve not shutting off; overflow tube issues.	Inspect the flush valve seal for debris or wear and replace if needed. Adjust the fill valve to ensure it shuts off properly when the tank is full. Check the overflow tube for cracks or damage.
Leaks at Base	Improperly seated wax ring; loose floor bolts; cracked toilet base.	Tighten floor bolts evenly (do not overtighten). If leaking persists, the toilet may need to be removed and the wax ring replaced. Inspect the ceramic for cracks.
Toilet Seat Loose	Loose seat bolts.	Tighten the seat bolts. Ensure the quick-release mechanism is fully engaged.

## 9. WARRANTY AND SUPPORT

---

For warranty information and customer support, please refer to the documentation provided with your purchase or visit the official WinZo store. You can find more information and contact details at the [WinZo Store on Amazon](#).