

[Manuals.plus](#) /

› [Bestqool](#) /

› BestQool Red Light Therapy Mobile Stand Instruction Manual - Model B0CM5XH43P

Bestqool B0CM5XH43P

BestQool Red Light Therapy Mobile Stand Instruction Manual

Model: B0CM5XH43P

Brand: Bestqool

INTRODUCTION

Thank you for choosing the BestQool Red Light Therapy Mobile Stand. This manual provides essential information for the safe and efficient assembly, operation, and maintenance of your new mobile stand. Please read this manual thoroughly before use and retain it for future reference.

SAFETY INFORMATION

- Ensure all wheels are locked when the stand is in a stationary position to prevent accidental movement.
- Do not exceed the maximum weight capacity of 88 lbs (40 kg) to maintain stability and prevent damage.
- Keep hands clear of moving parts during adjustment of the pull rod and panel blankets.
- Use only with compatible red light therapy panels.
- Regularly inspect the stand for any signs of wear or damage. Discontinue use if any issues are found.
- This stand is designed for indoor use. Avoid exposure to extreme temperatures or moisture.

PACKAGE CONTENTS

Please verify that all components are present and in good condition before assembly.

- Stand Body (main frame with pull rod mechanism)
- Wheels (x4)
- Panel Blankets/Supports (x2)
- M3 Screws (for blankets)
- Hex Key (for M3 screws)
- User Manual

SETUP AND ASSEMBLY

Follow these steps to assemble your BestQool Red Light Therapy Mobile Stand. For a visual guide, please refer to the installation video below.

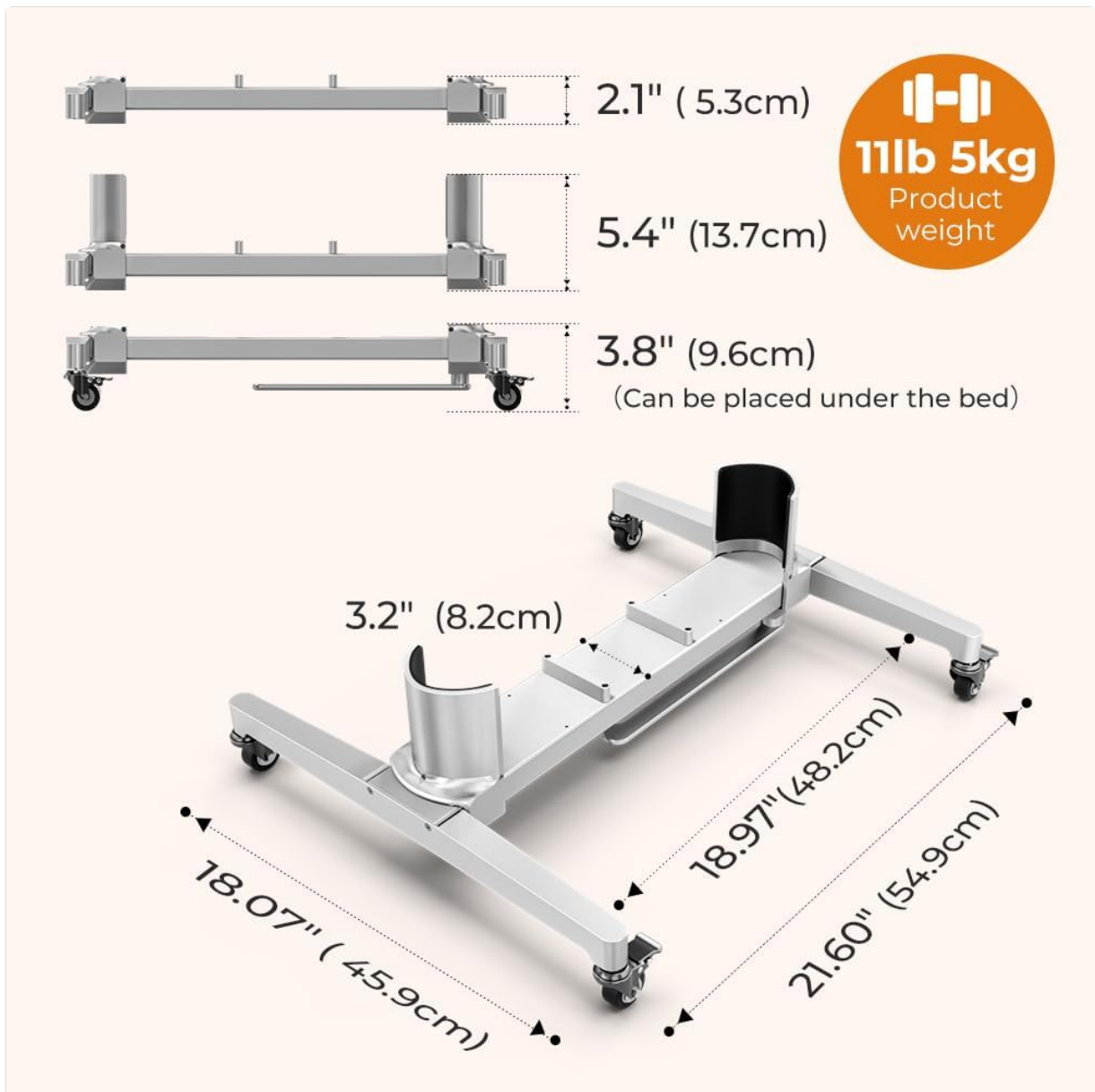
Installation Video Guide

Your browser does not support the video tag.

This video provides a step-by-step guide on how to assemble the BestQool Red Light Therapy Mobile Stand, demonstrating each part and the assembly process clearly.

1. **Attach the Wheels:** Flip the main stand body upside down. Attach the four wheels to the designated slots on the stand. Ensure all wheels are securely fastened and then lock them to prevent movement during further assembly.
2. **Install Panel Blankets:** Attach the two panel blankets (supports) onto the main stand body, one on each side. These blankets will cradle your red light therapy panel.
3. **Secure Blankets with Screws:** Use the provided M3 screws and hex key to firmly secure the panel blankets in place.
4. **Prepare for Panel Placement:** Extend the pull rod mechanism to an angle greater than 90 degrees. Adjust the panel blankets to a position that is wider than your red light therapy panel. This creates space for easy placement.
5. **Place the Red Light Panel:** Carefully place your red light therapy panel into the center of the adjusted blankets.
6. **Secure the Panel:** Adjust the blankets to the appropriate position to snugly hold the panel. Push the pull rod inward to lock the blankets and the panel securely in place.

Product Dimensions and Weight



This image displays the key dimensions of the mobile stand: 21.60 inches (54.9cm) length, 18.07 inches (45.9cm) width, and a height of 3.2 inches (8.2cm) when folded. The product weighs 11 lbs (5 kg).

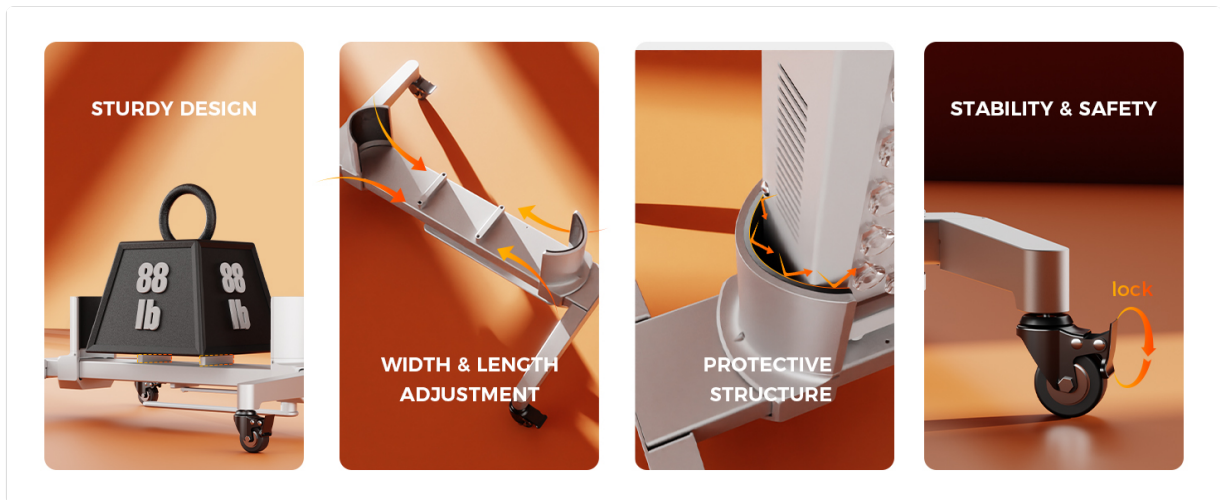


This diagram illustrates the adjustable design of the stand, showing a maximum width of 17.3 inches (44cm) and a minimum width of 7 inches (18cm) for panel use. It also indicates a maximum panel thickness of 2.8 inches (7cm).

OPERATING INSTRUCTIONS

The BestQool Mobile Stand is designed for ease of use and versatility. Once your red light therapy panel is securely mounted, you can adjust the stand to suit your needs.

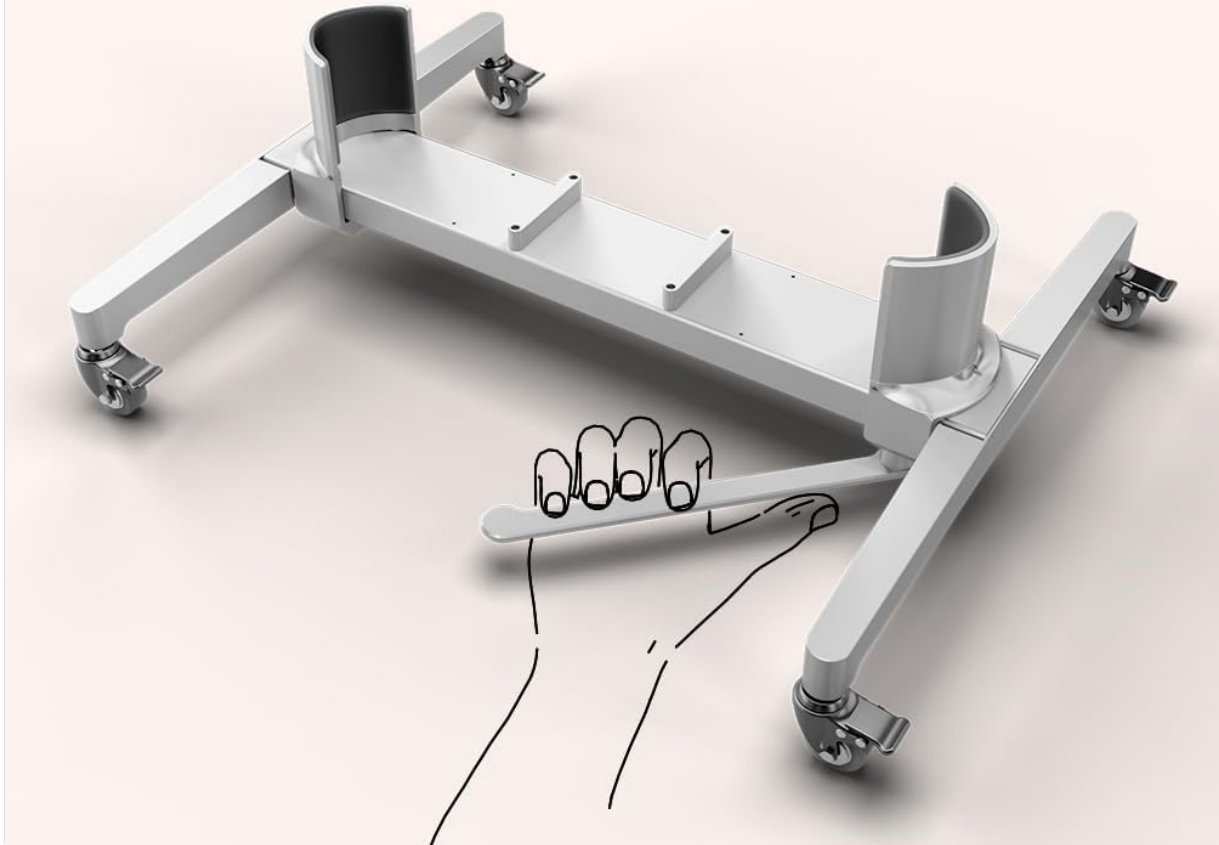
- **Mobility:** The stand is equipped with smooth-rolling wheels. Unlock the wheel locks to move the stand effortlessly from one location to another. Lock the wheels when the stand is in your desired position for stability during use.
- **Adjusting Panel Angle:** The ergonomic pull-rod allows for easy adjustment of the panel's angle. Push or pull the rod to achieve the desired angle for your therapy session. The reliable locking wheels ensure safety during use, preventing any accidental movement or slippage.
- **Versatile Usage:** The adjustable length and width make this stand compatible with 99% of red light therapy panels. It can be used in various settings such as living rooms, bedrooms, offices, outdoors, or gyms.



This image demonstrates various usage scenarios, including vertical positioning for full-body therapy while standing, and horizontal positioning for targeted therapy while sitting or lying down.

One Push Fixing

Say goodbye to cumbersome operation, a gentle push to fix the panel light



This image highlights the 'One Push Fixing' mechanism, allowing for easy and secure attachment of the panel light with a simple push.

MAINTENANCE

- **Cleaning:** Wipe the stand with a soft, dry cloth. Avoid using abrasive cleaners or solvents that could damage the finish.
- **Inspection:** Periodically check all screws and connections to ensure they are tight. Inspect the wheels for smooth operation and the locking mechanism for proper function.
- **Storage:** When not in use, store the stand in a clean, dry place away from direct sunlight and extreme temperatures.

TROUBLESHOOTING

- **Stand is unstable:** Ensure all four wheels are locked. Check that the panel blankets are securely fastened with the M3 screws. Verify that the pull rod is fully engaged and locked after adjusting the panel.
- **Difficulty moving the stand:** Ensure all wheel locks are disengaged. Check for any obstructions around the wheels.
- **Panel not fitting securely:** Ensure the panel blankets are adjusted to the correct width and the pull rod is pushed inward to lock the panel firmly. The stand is designed to fit 99% of panels, but some very specific

dimensions might require slight repositioning.

SPECIFICATIONS

Product Name	BestQool Red Light Therapy Mobile Stand
Model Number	B0CM5XH43P
Material	High-quality Aluminum
Product Dimensions	24.02 x 20.08 x 4.33 inches (packaged)
Assembled Dimensions (approx.)	21.60" (54.9cm) L x 18.07" (45.9cm) W x 3.2" (8.2cm) H (folded)
Product Weight	11 lbs (5 kg)
Maximum Load Capacity	88 lbs (40 kg)
Compatibility	Compatible with 99% of Red Light Therapy Panels
Features	Adjustable Length & Width, Locking Wheels, Ergonomic Pull-Rod, Easy Assembly

WARRANTY AND SUPPORT

BestQool stands behind the quality of its products. Each item has a unique code that we verify before shipping, ensuring authenticity and quality.

If you encounter any difficulties during installation or use, or have any questions regarding your product, please do not hesitate to contact our customer support team. We are committed to providing you with a satisfactory solution. For support, please refer to the contact information provided on the product packaging or the official BestQool website.