



Manuals.plus /

- › Leebein /
- › Leebein Electric Spin Scrubber User Manual

Leebein YMG-820

Leebein Electric Spin Scrubber User Manual

Model: YMG-820

1. PRODUCT OVERVIEW

The Leebein Electric Spin Scrubber (Model YMG-820) is designed to simplify your cleaning tasks with its powerful motor, adjustable features, and versatile brush heads. It is ideal for deep cleaning various surfaces in your bathroom, kitchen, and other areas of your home.



Figure 1: Leebein Electric Spin Scrubber with included accessories.

Key Features:

- **Powerful Motor:** Two adjustable spin speeds (350 RPM/450 RPM) for effective cleaning.
- **Long Battery Life:** Upgraded 2500mAh*2 battery provides 60-90 minutes of runtime on a 2.5-hour USB-C fast charge.
- **Adjustable Angles:** 4 adjustable angles (90°, 120°, 150°, 180°) for reaching difficult spots.
- **Extendable Handle:** Adjustable length from 15 inches to 52 inches for comfortable use without bending or kneeling.
- **Remote Control:** Unique remote control feature allows speed adjustment and power on/off without direct interaction with the main unit.
- **8 Replaceable Brush Heads:** Versatile brushes for various cleaning scenarios.



Figure 2: Overview of the scrubber's key features and specifications.

2. WHAT'S INCLUDED

Your Leebein Electric Spin Scrubber package includes the following components:

- 1 x Remote Handle
- 1 x YMG-820 Scrubber Unit
- 1 x Extended Rod
- 1 x Large Flat Brush
- 1 x Pointed Brush
- 1 x Small Flat Brush
- 1 x Dome Brush
- 1 x Wool Brush
- 1 x Fiber Brush (Scouring Pad)
- 1 x Sponge Brush
- 1 x Cloth Brush
- 1 x User Manual
- 1 x USB-C Charging Cable



Figure 3: All components included in the package.

3. SETUP AND ASSEMBLY

Follow these steps to assemble your electric spin scrubber:

1. **Charge the Battery:** Before first use, fully charge the scrubber using the provided USB-C charging cable. The LED light on the machine indicates battery status. A full charge takes approximately 2.5

hours.

2. **Attach the Extended Rod (Optional):** For longer reach, connect the extended rod to the main scrubber unit. Ensure it clicks securely into place.



Figure 4: The extended handle allows for cleaning without bending or kneeling.

3. **Select and Attach Brush Head:** Choose the appropriate brush head for your cleaning task. Align the brush head with the base of the scrubber unit and twist until it locks securely.



Figure 5: Examples of different brush heads and their uses.



Figure 6: More specialized brush heads for diverse cleaning needs.

4. OPERATING INSTRUCTIONS

Using your Leebein Electric Spin Scrubber is straightforward:

1. **Power On:** Press the power button on the handle to turn on the scrubber.
2. **Adjust Speed:** Use the speed adjustment button (M button) to switch between the two spin speeds (350 RPM and 450 RPM) as needed for your cleaning task.
3. **Adjust Angle:** Press the angle adjustment button to change the head angle to one of the four available positions (90°, 120°, 150°, 180°). This allows you to clean hard-to-reach areas effectively.



Ajustable Length & Angles

Meet all your needs

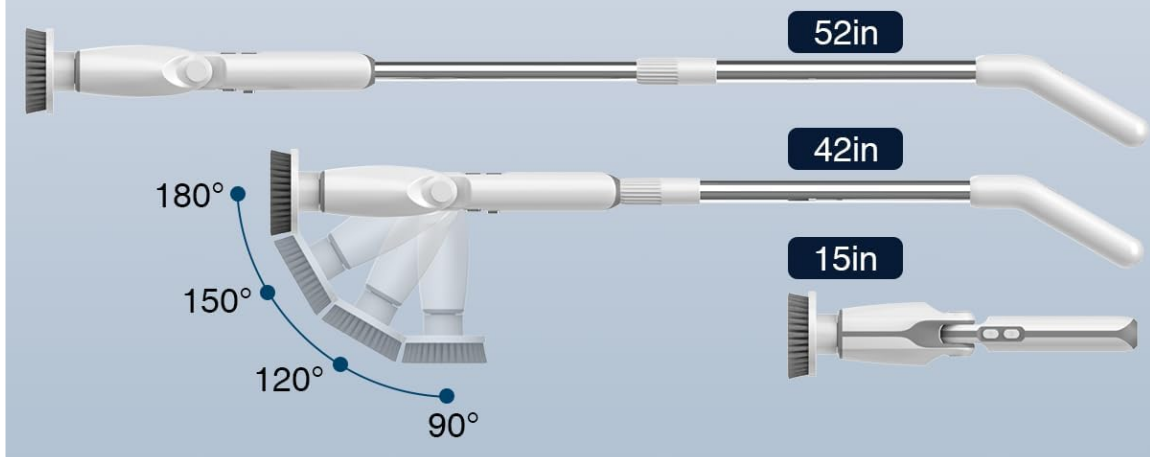


Figure 7: The scrubber's adjustable length and angle features.

4. **Remote Control Usage:** The included remote control allows you to adjust the speed or turn the machine on/off without needing to reach the main unit, especially useful when using the extended handle.
5. **Cleaning:** Apply appropriate cleaning solution to the surface or brush head. Guide the scrubber over the area to be cleaned, allowing the spinning brush to do the work.
6. **Power Off:** Press the power button again to turn off the scrubber when finished.

Brush Head Guide:

- **Dome Brush:** Ideal for curved surfaces like bathtubs, toilets, and sinks.
- **Large Flat Brush:** Suitable for large flat surfaces such as tile floors, walls, and pools.
- **Small Flat Brush:** Perfect for smaller flat areas, sinks, and countertops.
- **Corner Brush (Pointed Brush):** Designed for cleaning grout lines, corners, faucets, and edges.

- **Cloth Brush:** Gentle cleaning for wooden floors and furniture.
- **Sponge Brush:** Excellent for windows, glass, and car surfaces.
- **Wool Brush:** Soft brush for delicate surfaces or polishing.
- **Fiber Brush (Scouring Pad):** For tough stains on kitchen surfaces, stovetops, and other hard-to-clean areas.

Your browser does not support the video tag.

Video 1: Demonstration of the Leebein Electric Spin Scrubber in action, showcasing its features and various uses.

5. MAINTENANCE AND CARE

- **Cleaning the Unit:** After each use, wipe down the scrubber unit with a damp cloth. Avoid submerging the main unit in water.
- **Cleaning Brush Heads:** Rinse brush heads thoroughly under running water after each use. Allow them to air dry completely before storing.
- **Restoring Bristles:** If bristles become bent, sprinkle boiling water over them. This can help them recover their original shape.
- **Storage:** Store the scrubber and its accessories in a dry place away from direct sunlight. The unit can be hung using the provided wall mount.

6. TROUBLESHOOTING

Problem	Possible Cause	Solution
Scrubber does not turn on.	Low battery or unit not charged.	Charge the scrubber fully using the USB-C cable. Check LED battery indicator.
Brush head does not spin.	Brush head not properly attached or motor issue.	Ensure the brush head is securely twisted onto the unit. If the issue persists, contact customer support.
Reduced cleaning performance.	Worn-out brush head or insufficient power.	Replace the brush head if worn. Ensure the unit is fully charged.
Remote control not working.	Remote battery low or interference.	Ensure line of sight to the scrubber. If the remote uses batteries, replace them.

If you encounter any problems not listed here, please contact Leebein customer support for assistance.

7. SPECIFICATIONS

Feature	Detail
Model Number	YMG-820
Brand	Leebein
Color	White
Handle Material	Stainless Steel
Product Dimensions	5"L x 3"W x 52"H (Extended)
Item Weight	2.7 Pounds
Battery	2 x 2500mAh Lithium Ion (included)
Charging Time	Approx. 2.5 hours (USB-C Fast Charge)
Runtime	60-90 minutes
Spin Speeds	350 RPM / 450 RPM
Adjustable Angles	90°, 120°, 150°, 180°

8. WARRANTY AND SUPPORT

Leebein offers a **2-Year Extended Protection Plan** for your electric spin scrubber. This warranty covers manufacturing defects and ensures long service life for your product.

For any questions, troubleshooting assistance, or to claim your warranty, please do not hesitate to contact the Leebein support team. Refer to the contact information provided in the packaging or visit the official Leebein website.

We are dedicated to providing high-quality products and excellent customer service.