

## Manuals+

[Q & A](#) | [Deep Search](#) | [Upload](#)

manuals.plus /

› [Stylrtop](#) /

› [Stylrtop Smart Camera Lock P150C User Manual](#)

## Stylrtop P150C

# Stylrtop Smart Camera Lock P150C User Manual

Model: P150C | Brand: Stylrtop

## 1. PRODUCT OVERVIEW

The Stylrtop Smart Camera Lock P150C is an advanced 3-in-1 security solution integrating a smart lock, doorbell, and video intercom. It offers keyless entry with multiple unlocking methods and enhanced monitoring capabilities for residential and commercial front doors.

### Key Features:

- **3-in-1 Functionality:** Combines smart lock, doorbell, and 1080P HD camera with built-in Wi-Fi.
- **Multiple Unlocking Methods:** User codes, fingerprints, app remote control, Alexa voice control, and physical key.
- **Two-Way Intercom:** Communicate with visitors directly from your smartphone.
- **Real-time Monitoring:** Check your door's status anytime, anywhere.
- **Emergency Power:** Features a USB port for emergency power.
- **Enhanced Security:** Personal access codes stored locally on encryption chips; living human fingerprint recognition.



*Image: Stylrtop Smart Camera Lock P150C with its accompanying mobile app interface.*

# 3-in-1 Keyless Entry Door Security Solution

**Keyless Fingerprint Lock**

**2K HD Camera**

**Doorbell**



*Image: Visual representation of the lock's integrated 3-in-1 features.*

## 2. PACKING LIST

Please ensure all components are present before beginning installation:

- Exterior Assembly (Front Panel with Keypad/Camera)
- Interior Assembly (Rear Panel with Thumbturn)
- Mounting Plate
- Lithium Battery
- Keys (Physical)
- Plug (for interior assembly)
- Double-sided Tape Mounting Plate
- Deadbolt Latch
- Strike Plate and Box
- Screws (various sizes: A, B, C, D, E, F)

- User Manual
- Service Card

## 3. INSTALLATION GUIDE

---

This section provides step-by-step instructions for installing your Stylrtop Smart Camera Lock P150C. For a visual guide, please refer to the installation video below.

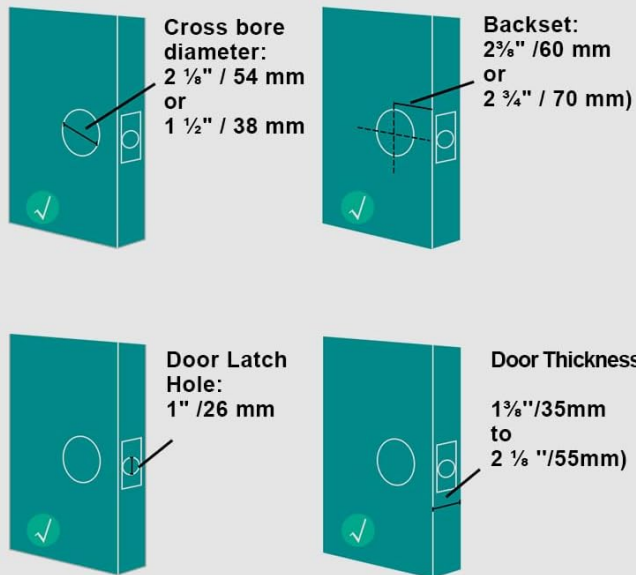
### 3.1. Door Compatibility Check

Before installation, verify your door's dimensions and compatibility:

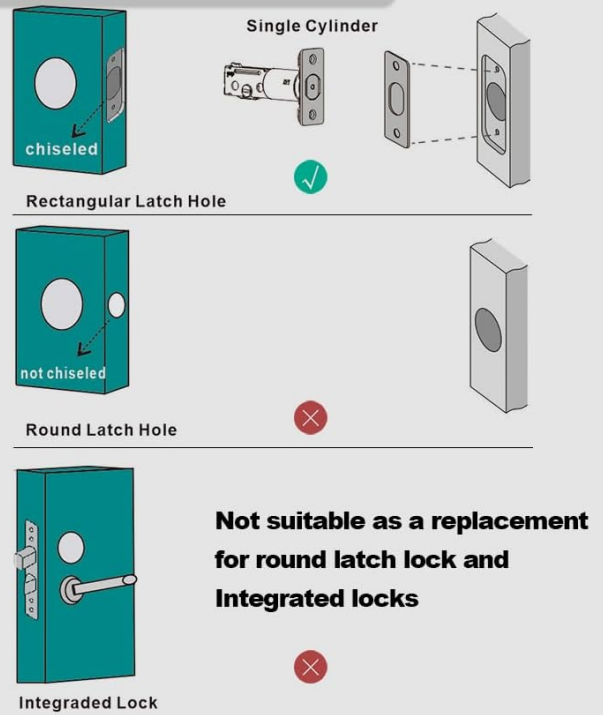
- **Door Thickness:** 1 $\frac{3}{8}$ " (35mm) to 2 $\frac{1}{8}$ " (55mm)
- **Backset:** 2 $\frac{3}{8}$ " (60mm) or 2 $\frac{3}{4}$ " (70mm)
- **Cross Bore Diameter:** 2 $\frac{1}{8}$ " (54mm) or 1 $\frac{1}{2}$ " (38mm)
- **Door Latch Hole:** 1" (26mm)

The lock is compatible with most US standard doors. It is not suitable as a replacement for round latch locks and integrated locks.

## Door Size



## Door Compatibility



## Lock Size

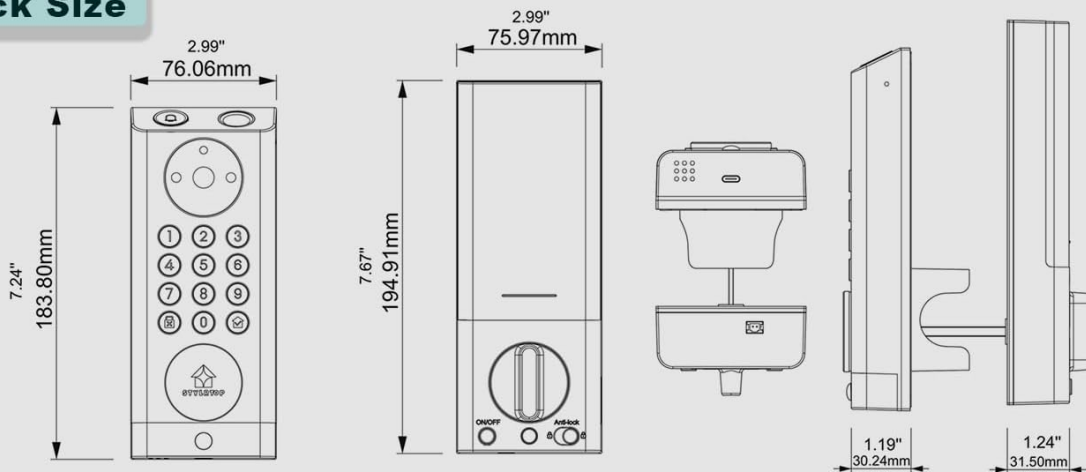


Image: Door size and compatibility requirements.

## 3.2. Step-by-Step Installation

1. **Install the Latch:** Ensure the latch is correctly oriented with 'TOP' facing upwards. Adjust the backset if necessary (60mm or 70mm).
2. **Install the Exterior Assembly:** Route the cable and tailpiece through the latch. Apply double-sided tape to secure the exterior assembly to the door.
3. **Install the Mounting Plate:** Attach the rubber gasket to the mounting plate. Run the wires through the mounting plate and secure it with appropriate screws (B, C, or D based on door thickness).
4. **Install the Interior Assembly:** Adjust the L/R switch on the internal circuit board based on your door's opening direction (R for right-hand, L for left-hand). Wire the cable to the interior assembly and connect the tailpiece. Secure the interior assembly with screws (F).
5. **Install Battery and Cover:** Insert the lithium battery and attach the battery cover.
6. **Insert the Plug:** Place the small plug into the designated hole on the interior assembly.

## Installation Video:

## 4. OPERATING INSTRUCTIONS

The Stylrtop Smart Camera Lock P150C offers five convenient ways to unlock your door:



Image: Overview of the five unlocking methods.

### 4.1. Fingerprint Unlock

Place your registered fingerprint on the scanner for quick and secure access. The lock is designed to recognize living human fingerprints only.

### 4.2. Keypad Code Unlock

Enter your programmed user code on the touchscreen keypad. Personal access codes are stored securely on local encryption chips.

### 4.3. App Remote Control

Control your lock remotely using the Tuya Smart app. This allows for remote unlocking, monitoring, and managing access logs.

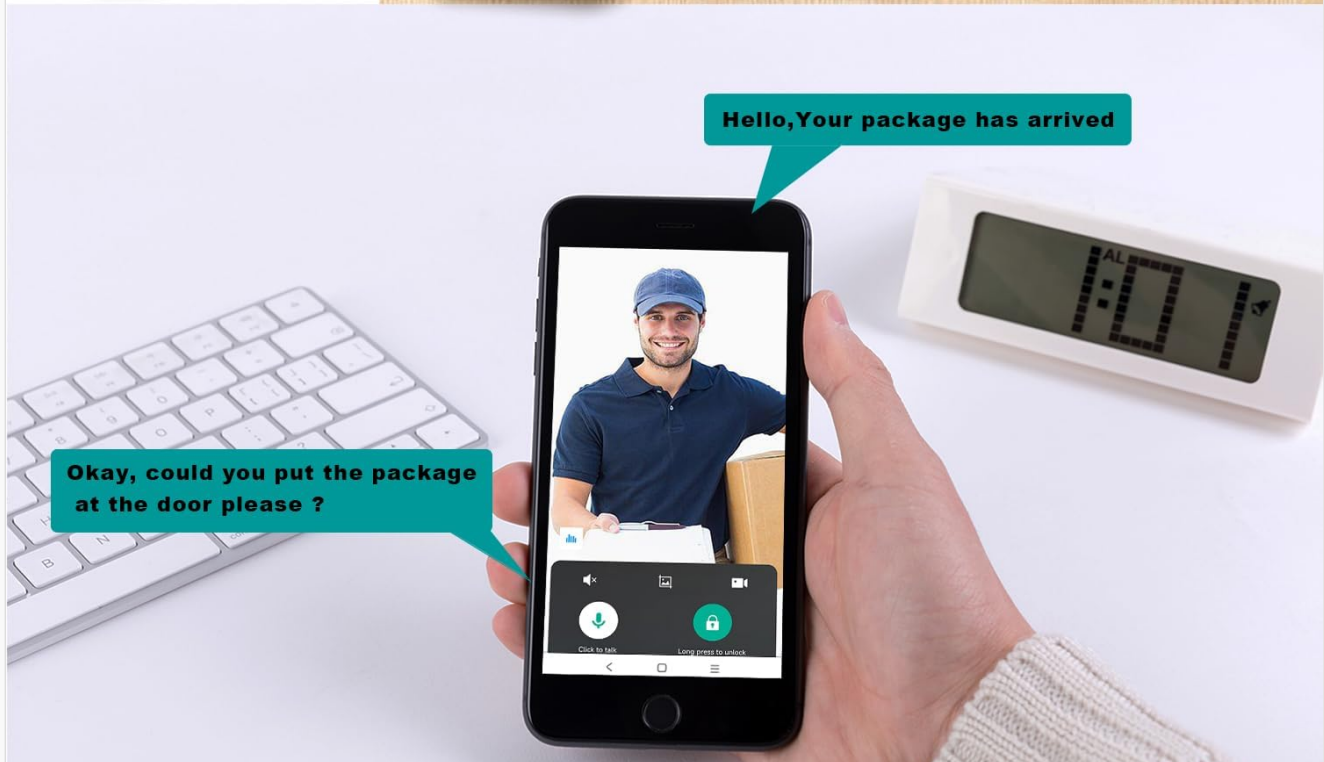


Image: Features of the 2K HD Camera, including remote unlock via app.

### 4.4. Alexa Voice Control

Integrate your smart lock with Alexa for convenient voice-activated unlocking (requires proper setup through the app).

### 4.5. Physical Key Unlock

Use the provided physical keys as a traditional backup unlocking method.

### 4.6. App and Wi-Fi Connection

To connect the lock to the Tuya Smart app and Wi-Fi, follow these steps:

1. Activate the keypad by pressing any key.
2. Press the menu key and verify administrator access.

3. Press number 3 to enter network connection settings.
4. Press number 1 to reset Wi-Fi. The LED indicator light will flash.
5. Download the Tuya Smart app from your device's app store (iOS/Android).
6. In the app, click 'Add Device' and select 'Video Lock (Wi-Fi)' under 'Camera & Lock'.
7. Ensure the lock is in Wi-Fi pairing mode (LED flashing).
8. Choose your 2.4 GHz Wi-Fi network (5G networks are not compatible) and enter the password.
9. Scan the QR code displayed in the app with the lock's camera. You will hear a prompt sound upon successful recognition.

*Video: Instructions on how to connect the Stylrtop Smart Camera Lock P150C to the app and Wi-Fi.*

**Important Note:** If the battery level is below 30%, some functions, including video streaming, may not work to ensure the basic functions of the lock are operating properly.

## 5. MAINTENANCE

---

- **Cleaning:** Use a soft, dry cloth to clean the lock's exterior. Avoid abrasive cleaners or solvents that could damage the finish or electronic components.
- **Battery Replacement:** The lock uses 1 Lithium Ion battery. Replace the battery when you receive low power alerts to ensure continuous operation.
- **Firmware Updates:** Regularly check the Tuya Smart app for any available firmware updates to ensure optimal performance and security.
- **Environmental Conditions:** While designed for durability, extreme temperatures or prolonged exposure to harsh weather may affect performance.

## 6. TROUBLESHOOTING

---

For detailed troubleshooting steps, please refer to the official Troubleshooting Guide PDF available on the product page. Below are some common issues and general advice:

- **Lock not responding:** Check battery level. Ensure the lock is powered on.
- **Fingerprint not recognized:** Ensure your finger is clean and dry. Re-register your fingerprint if issues persist.
- **Wi-Fi connectivity issues:** Ensure your router is 2.4 GHz compatible. Check router load and signal strength. Try resetting the Wi-Fi on the lock as per section 4.6.
- **App not connecting:** Verify your phone's Wi-Fi connection. Ensure the app is updated to the latest version.
- **Doorbell notifications delayed:** Check your internet connection speed and stability.

If you encounter persistent issues, please contact customer support.

## 7. SPECIFICATIONS

---

Feature	Detail
Brand	Stylrtop
Model Name	P15X C (P150C)
Lock Type	Biometric, Deadbolt, Keypad, Fingerprint Wi-Fi Lock with Camera

Special Features	WiFi Deadbolt, Fingerprint, 1080 P HD Camera, Auto-Lock, Compatible with Alexa
Material	Aluminum
Color	Gray
Item Dimensions L x W x H	8 x 7 x 1 inches
Item Weight	2.5 Pounds
Power Source	1 Lithium Ion battery (included)
Connectivity Protocol	Wi-Fi (2.4 GHz only)
Controller Type	Amazon Alexa, App

## 8. WARRANTY AND SUPPORT

---

Stylrtop is committed to providing high-quality products and excellent customer service. We hope the world flourishes and people live in peace. Love life, love family, love yourself.

### Warranty:

This product comes with a **1-year money back guarantee** following the date of purchase.

### Customer Support:

We offer **lifetime customer support** for your Stylrtop Smart Camera Lock P150C. Please feel free to contact us at any time for assistance.

#### North America Support:

[Chituo@outlook.com](mailto:Chituo@outlook.com)

[Support\\_US@stylrtop.com](mailto:Support_US@stylrtop.com)

#### Other Areas Support:

[Support@stylrtop.com](mailto:Support@stylrtop.com)