



[Manuals.plus](#) /

› [Loisall](#) /

› Loisall Upholstered Platform Bed with Trundle (Full Size, Grey) - Instruction Manual GX000352AA

Loisall GX000352AA

Loisall Upholstered Platform Bed with Trundle (Full Size, Grey)

Model: GX000352AA

Brand: Loisall



Figure 1.0: Loisall Full Size Upholstered Platform Bed with Trundle, Drawers, and USB Plugs in Grey. This image displays the complete bed setup, including the main bed, the pull-out trundle, and the integrated storage drawers.

1. SAFETY INFORMATION

Please read and understand all instructions before beginning assembly and use. Failure to follow these instructions may result in injury or damage to the product.

- Keep all hardware and small parts out of reach of children.
- Assemble the product on a soft, non-abrasive surface to prevent scratches.
- Ensure all connections are securely tightened before use. Periodically check and re-tighten as necessary.
- Do not use power tools for assembly unless specifically instructed, as overtightening may damage components.
- Do not stand or jump on the bed.
- Use only the recommended mattress size for this bed frame.

2. PACKAGE CONTENTS

Verify that all parts and hardware are present before beginning assembly. If any parts are missing or damaged, contact customer service.

- Platform Bed Frame Components
- Trundle Bed Components
- Drawer Components (3 drawers)
- Headboard with Shelves and USB Ports
- Hardware Pack (screws, bolts, nuts, etc.)
- Assembly Instruction Manual

Note: This product ships in multiple packages and may arrive at different times.

3. SPECIFICATIONS

Product Name	Loisall Upholstered Platform Bed with Trundle
Model Number	GX000352AA
Size	Full (Main Bed)
Color	Grey
Product Dimensions (L x W x H)	87.4" x 56.3" x 47.2"
Item Weight	173 pounds
Special Features	Trundle, 3 Storage Drawers, Headboard Shelves, 2 USB Ports, 2 Power Plugs
Assembly Required	Yes
Compatible Mattress Size	Full (Main Bed), Twin (Trundle Bed)

UNIT INCH

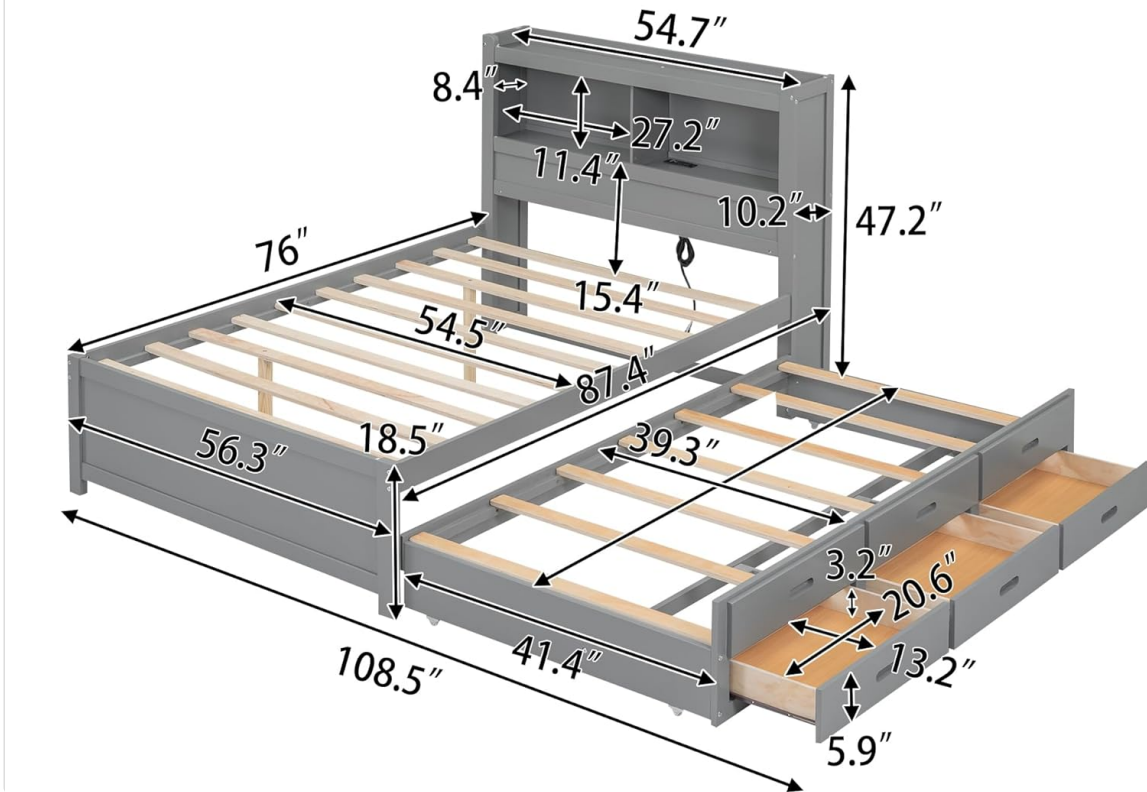


Image 3.1: Detailed dimensions of the Loissall Full Size Platform Bed with Trundle and Drawers. This diagram illustrates the length, width, and height measurements for the main bed frame, headboard, trundle, and integrated drawers, providing a comprehensive overview of the product's physical specifications.

4. SETUP INSTRUCTIONS

Follow these steps carefully to assemble your Loissall Upholstered Platform Bed. It is recommended to have two people for assembly.

4.1. Prepare the Area

- Clear a spacious area for assembly.
- Lay out all components and hardware, comparing them against the package contents list.

4.2. Assemble the Main Bed Frame

1. Connect the side rails to the headboard and footboard using the provided bolts and washers. Do not fully tighten yet.
2. Insert the center support beam(s) and attach them to the frame.
3. Place the wooden slats across the bed frame. Secure them using the pre-drilled holes and screws. Ensure even spacing.
4. Once all slats are in place, fully tighten all bolts on the main bed frame.



Image 4.2.1: Side view of the assembled Loisall Platform Bed frame, showcasing the main bed structure, the integrated trundle, and the three storage drawers. This image provides a visual reference for the overall assembly of the bed's primary components.

4.3. Assemble the Trundle Bed

1. Assemble the trundle frame according to the separate instructions for the trundle unit.
2. Attach the wheels to the bottom of the trundle frame.
3. Place the trundle slats onto the trundle frame and secure them.
4. Slide the assembled trundle unit under the main bed frame.



Image 4.3.1: The Loisall Platform Bed with its trundle unit partially extended from beneath the main bed. This view highlights the independent structure of the trundle and its rolling mechanism, demonstrating how it can be pulled out for use.

4.4. Assemble the Storage Drawers

1. Assemble each drawer box by connecting the sides, front, and back panels.
2. Slide the bottom panel into the grooves.
3. Attach the drawer pulls to the front panels.
4. Insert the assembled drawers into the designated slots within the trundle unit.



Image 4.4.1: A close-up view of the three storage drawers integrated into the trundle unit of the Loisall Platform Bed. Two drawers are shown partially open, revealing their interior space and the smooth gliding mechanism.



Image 4.4.2: The Loisall Platform Bed with both the trundle bed and all three storage drawers fully extended. This image demonstrates the maximum functional footprint of the bed, highlighting its dual-purpose design for sleeping and storage.

4.5. Connect USB Ports and Power Plugs

1. Locate the power cord extending from the headboard.
2. Plug the power cord into a standard wall outlet.
3. Ensure the connection is secure. The USB ports and power plugs on the headboard are now ready for use.



Image 4.5.1: A detailed view of the Loisall bed's headboard, focusing on the integrated USB charging ports and standard power outlets. This image shows the convenient access points for electronic devices.

5. OPERATING INSTRUCTIONS

5.1. Using the Trundle Bed

- To extend the trundle bed, gently pull the trundle unit from under the main bed frame using the designated handle or front panel.
- The trundle is equipped with wheels for smooth movement.
- To retract, push the trundle unit back under the main bed until it is fully nested.
- The trundle can be completely separated from the main bed for flexible placement.

5.2. Using the Storage Drawers

- The three drawers are integrated into the trundle unit.

- Pull the drawer handles to open and push to close.
- These drawers are suitable for storing bedding, clothing, or other personal items. Avoid overloading.

5.3. Using the USB Ports and Power Plugs

- Once the bed's power cord is plugged into a wall outlet, the two USB ports and two standard power plugs on the headboard are active.
- Connect your electronic devices (e.g., smartphones, tablets, lamps) to charge or power them conveniently.
- Do not exceed the maximum power rating for the outlets.

6. MAINTENANCE AND CARE

- **Cleaning:** Wipe the upholstered surfaces and wooden components with a dry, soft cloth. For stubborn spots, a slightly damp cloth with mild soap can be used, followed by immediate drying. Avoid harsh chemicals or abrasive cleaners.
- **Hardware:** Periodically check all bolts, screws, and connections to ensure they remain tight. Retighten as needed to maintain stability and safety.
- **Trundle and Drawers:** Keep the tracks and wheels of the trundle and drawers free from dust and debris to ensure smooth operation.
- **USB/Power Outlets:** Ensure the power cord is not pinched or damaged. Do not attempt to repair the electrical components yourself.

7. TROUBLESHOOTING

Problem	Possible Cause	Solution
Bed feels wobbly or unstable.	Loose hardware connections.	Check and tighten all bolts and screws on the bed frame.
Trundle or drawers are difficult to open/close.	Debris in tracks, misaligned components, or overloaded drawers.	Clean tracks. Ensure trundle/drawers are correctly aligned. Reduce load in drawers.
USB ports or power plugs are not working.	Power cord not plugged in, wall outlet not active, or device issue.	Ensure the bed's power cord is securely plugged into a working wall outlet. Test the wall outlet with another device. Check device's charging cable.
Missing parts during assembly.	Packaging error or lost during unpacking.	Review package contents list. Contact Loisall customer service for replacement parts.

8. WARRANTY AND CUSTOMER SUPPORT

For any questions, concerns, or assistance with your Loisall Upholstered Platform Bed, please do not hesitate to contact our customer service representatives. While specific warranty details are not provided in this manual, our team is available to help with product inquiries, missing parts, or assembly guidance. Please refer to your purchase documentation or the retailer's website for specific warranty terms and contact information.