

## Manuals+

[Q & A](#) | [Deep Search](#) | [Upload](#)

Manuals.plus /

› [Zeadio](#) /

› Zeadio Gimbal Sling Handgrip Handle User Manual for DJI RS 2, RSC 2, RS 3, RS 3 Pro Stabilizers

## Zeadio Gimbal Sling Handgrip Handle

# Zeadio Gimbal Sling Handgrip Handle

## USER MANUAL

### 1. Introduction

---

Thank you for choosing the Zeadio Gimbal Sling Handgrip Handle. This accessory is designed to enhance the versatility and comfort of your DJI RS series gimbal, particularly for achieving stable low-angle shots. This manual provides essential information for the proper setup, operation, and maintenance of your handgrip.

### 2. Product Overview and Components

---

The Zeadio Gimbal Sling Handgrip Handle is constructed from a durable combination of silicone and aluminum alloy, offering both strength and a comfortable, non-slip grip. It features multiple mounting points for accessories and a robust attachment mechanism for your gimbal.

# Product Overview

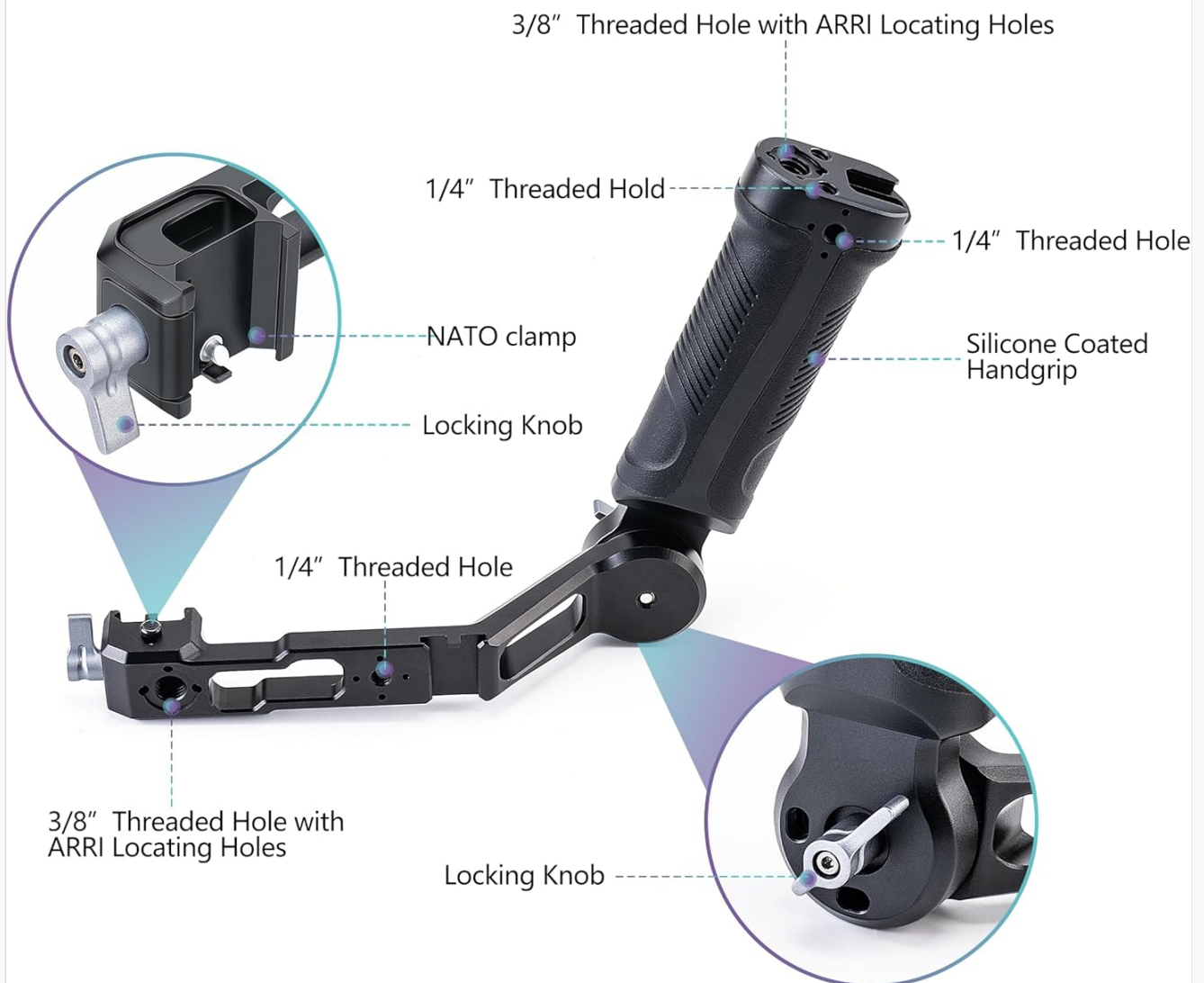


Image: Overview of the Zeadio Gimbal Sling Handgrip Handle, highlighting key components such as the NATO clamp, locking knob, silicone-coated handgrip, 1/4" threaded holes, and 3/8" threaded holes with ARRI locating holes.

- **NATO Clamp:** Securely attaches the handgrip to your gimbal. Features a locking knob and an anti-removal stud for quick and safe operation.
- **Rosette Joint:** A built-in stainless steel rosette joint allows for 360-degree fine-tuning of the handgrip angle, providing flexibility for various shot angles.
- **Mounting Points:** Equipped with multiple 1/4" and 3/8" threaded holes, ARRI locating holes, and two cold shoe mounts for attaching accessories like LED lights, sound receivers, or monitors.
- **Silicone Grip:** The non-slip soft silicone grip ensures a comfortable and secure hold during operation.

### 3. Compatibility

This Zeadio Gimbal Sling Handgrip Handle is **ONLY compatible with DJI RS 2, DJI RSC 2, DJI RS 3, and DJI RS 3 Pro stabilizers.**

ONLY compatible with DJI RS 2 / RSC 2 / RS 3 / RS 3 Pro



Image: The Zeadio handgrip shown attached to different DJI RS series gimbals, including RS 2, RSC 2, RS 3, and RS 3 Pro, illustrating its compatibility.

## 4. Setup Instructions

1. **Identify Attachment Point:** Locate a NATO rail on your compatible DJI RS series gimbal.
2. **Attach Handgrip:** Align the NATO clamp of the Zeadio handgrip with the NATO rail on your gimbal. Slide the clamp onto the rail.
3. **Secure Handgrip:** Tighten the locking knob on the NATO clamp until the handgrip is firmly secured to the gimbal. Ensure the anti-removal stud is engaged for added safety.
4. **Verify Stability:** Gently test the attachment to ensure there is no wobble or looseness before operating your equipment.

## 5. Operating Instructions

## 5.1. Angle Adjustment

The integrated rosette joint allows for quick and precise angle adjustments to achieve desired shooting positions, especially for low-angle shots.

1. **Loosen Adjustment Knob:** Locate the adjustment knob on the rosette joint. Loosen it counter-clockwise.
2. **Adjust Angle:** Rotate the handgrip to your desired angle. The rosette joint allows for 360-degree adjustment.
3. **Secure Angle:** Tighten the adjustment knob clockwise until the handgrip is securely fixed in the new position.

# 180° Quick Angle Adjustment

tightened by a ratchet knob  
adjust 180° in seconds

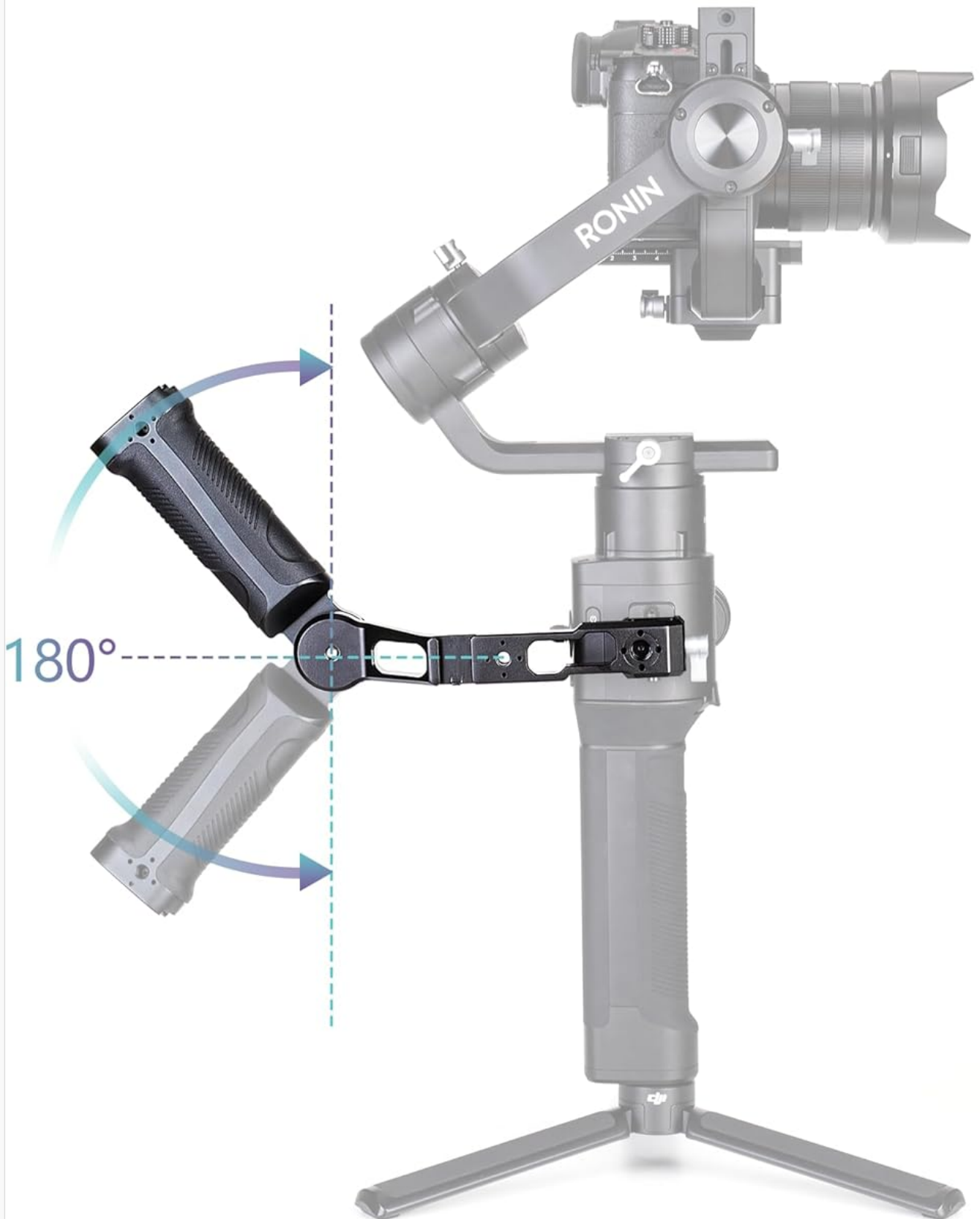


Image: The handgrip shown adjusting its angle by 180 degrees, illustrating the flexibility provided by the rosette joint for quick angle changes.

## 5.2. Attaching Accessories

Utilize the various mounting points to expand your setup with additional accessories.

- **1/4" and 3/8" Threaded Holes:** Use these standard threads to attach monitors, microphones, or other compatible accessories.
- **ARRI Locating Holes:** For accessories with ARRI-style anti-twist pins, ensuring a secure, rotation-free attachment.
- **Cold Shoe Mounts:** Ideal for attaching LED lights, wireless receivers, or other cold shoe compatible devices.

## Multiple Mounting Points for More Accessories



Cold Shoe, 1/4" Threaded Holes,  
3/8" Threaded Holes for ARRI

Image: The handgrip demonstrating its multiple mounting points, including cold shoe, 1/4" threaded holes, and 3/8" threaded holes for ARRI pins, with an example of an attached accessory.

## 6. Maintenance

- **Cleaning:** Wipe the handgrip with a soft, dry cloth to remove dust and debris. For stubborn dirt, a slightly damp

cloth can be used, followed by immediate drying. Avoid harsh chemicals or abrasive cleaners.

- **Storage:** Store the handgrip in a cool, dry place away from direct sunlight and extreme temperatures.
- **Inspection:** Periodically check all screws and connections to ensure they are tight and secure.

## 7. Troubleshooting

- **Handgrip feels loose after attachment:** Ensure the NATO clamp's locking knob is fully tightened. Check that the NATO rail on your gimbal is clean and free of obstructions.
- **Angle adjustment is difficult or slips:** Loosen the rosette joint adjustment knob slightly, reposition, and then tighten firmly. Ensure no debris is caught in the joint mechanism.
- **Accessories not attaching securely:** Verify that the accessory's screw or mount type matches the handgrip's mounting points (e.g., 1/4" screw for 1/4" hole, cold shoe for cold shoe mount). Ensure screws are tightened appropriately.

## 8. Specifications

### Product Dimension

The product dimension of the new stabilizer handle is 6.89 x 2.36 x 1.89 inches.



Image: Diagram illustrating the dimensions of the Zeadio Gimbal Sling Handgrip Handle, showing its length, width, and height.

Feature	Detail
Compatibility	DJI RS 2, RSC 2, RS 3, RS 3 Pro
Load Capacity	Up to 8 kg / 17.6 lbs
Material	Aluminum Alloy, Silicone
Weight	300 Grams
Color	Black
Dimensions	6.89 x 2.36 x 1.89 inches (175mm x 60mm x 48mm)
Mounting Points	1/4" threaded holes, 3/8" threaded holes with ARRI locating holes, Cold Shoe mounts

## 9. Warranty and Support

---

For warranty information and customer support, please refer to the Zeadio official website or contact your retailer. Keep your purchase receipt for warranty claims.

