



[Manuals.plus](#) /

> [BIG RED](#) /

> [BIG RED T830025-1 Heavy Duty Hydraulic Steel Service Floor Jack Instruction Manual](#)

BIG RED T830025-1

BIG RED T830025-1 Heavy Duty Hydraulic Steel Service Floor Jack Instruction Manual

Model: T830025-1

[Safety Information](#)

[Setup](#)

[Operation](#)

[Maintenance](#)

[Troubleshooting](#)

[Specifications](#)

[Warranty &](#)

[Support](#)

INTRODUCTION

Thank you for choosing the BIG RED T830025-1 Heavy Duty Hydraulic Steel Service Floor Jack. This manual provides important information for the safe operation, maintenance, and troubleshooting of your new floor jack. Please read and understand all instructions before use to ensure proper function and prevent injury or damage.



Image: The BIG RED T830025-1 Floor Jack, a red hydraulic jack with a black handle and wheels.

SAFETY INFORMATION

WARNING: Failure to follow these instructions may result in serious injury or property damage.

- Always read and understand the entire manual before operating the jack.
- Do not exceed the rated capacity of 3 tons (6,000 lbs).
- Use only on a hard, level surface.
- Always use jack stands to support the vehicle immediately after lifting. The jack is a lifting device only, not a vehicle support device.
- Ensure the vehicle is in park (or gear for manual transmission) and the parking brake is engaged. Block wheels that are not being lifted.
- Center the load on the saddle. Off-center loads can cause the jack to tip.
- Keep hands and feet clear of moving parts and the area under the vehicle.
- Do not modify the jack or use it for purposes other than its intended use.

- Wear appropriate personal protective equipment, such as safety glasses.
- Inspect the jack before each use for any damage, leaks, or loose parts. Do not use if damaged.
- Lower the load slowly and carefully.

SETUP AND INITIAL PREPARATION

Before using your BIG RED T830025-1 floor jack, ensure it is properly assembled and prepared.

1. **Connect the Handle:** Insert the two handle sections together. Place the assembled handle into the handle socket on the jack.
2. **Secure the Handle:** Turn the handle clockwise until it is fully tightened and secured in the socket. This also closes the release valve for lifting.
3. **Purge Air from Hydraulic System (Bleeding):**
 - With the jack fully lowered, remove the oil filler plug (if present, refer to diagram in full manual).
 - Pump the handle rapidly 10-15 times without a load.
 - Replace the oil filler plug. This helps remove any trapped air.

WIDE LIFTING RANGE

Be flexible with the height you need

↑ 18.31" Max. Height

↓ 5.12" Min. Height



HOW TO USE



Step 1

Connect the handles and place them in the handle socket.



Step 2

Turn the handle clockwise to the end and tighten the socket screw.



Step 3

Pump the handle up and down to raise the saddle up to desired height.

OPERATING INSTRUCTIONS

Follow these steps for safe and effective operation of your floor jack.

Lifting a Vehicle:

1. **Prepare the Vehicle:** Park the vehicle on a hard, level surface. Engage the parking brake and place the transmission in park (or lowest gear for manual). Block the wheels that are not being lifted.
2. **Position the Jack:** Roll the jack under the vehicle, positioning the saddle directly under the manufacturer's recommended lifting point. Consult your vehicle's owner's manual for proper lifting points.
3. **Raise the Vehicle:** With the handle fully tightened clockwise (release valve closed), pump the handle up and down to raise the saddle. Continue pumping until the vehicle is lifted to the desired height.
4. **Install Jack Stands:** Immediately after lifting, place appropriately rated jack stands under the vehicle's frame or designated support points. Ensure the vehicle is securely resting on the jack stands before performing any work.
5. **Slightly Lower Jack:** Once jack stands are in place, slowly turn the handle counter-clockwise to slightly lower the jack until the vehicle's weight is fully supported by the jack stands. The jack should remain in contact with the vehicle as a secondary safety measure.

Lowering a Vehicle:

1. **Raise Vehicle Slightly:** Pump the jack handle a few times to lift the vehicle slightly off the jack stands.
2. **Remove Jack Stands:** Carefully remove the jack stands from under the vehicle.
3. **Lower Vehicle:** Slowly turn the handle counter-clockwise to open the release valve. The vehicle will begin to lower. Control the lowering speed by adjusting how much you turn the handle.
4. **Remove Jack:** Once the vehicle is fully lowered to the ground, remove the floor jack.



1 STEEL FRONT WHEELS

2 360° ROTATION CASTERS

HIGH-GRADED ALUMINUM FRAME AND LIFTING UNIT

6000 LBS
Rated Capacity 

Car Pickup MPV

 This product can only be functioned as a lifting tool and DO NOT working on/under the vehicle unless it is fully supported by jack stands.

Image: Illustration of the jack's steel front wheels, 360-degree rotation casters, and its 6000 lbs rated capacity for cars, pickups, and MPVs. A warning states the product is a lifting tool only and requires jack stands for under-vehicle work.

MAINTENANCE

Regular maintenance ensures the longevity and safe operation of your floor jack.

- **Lubrication:** Periodically lubricate all moving parts with light machine oil.
- **Hydraulic Oil Level:** Check the hydraulic oil level every three months. With the jack fully lowered and on a level surface, remove the oil filler plug. The oil level should be just below the filler hole. Add high-quality hydraulic jack oil if needed. Do not overfill.
- **Cleaning:** Keep the jack clean from dirt, grease, and corrosive materials.
- **Storage:** Store the jack in a dry, protected area with the ram fully retracted to prevent rust and seal damage.
- **Inspection:** Before each use, inspect for any signs of damage, leaks, or wear. Pay close attention to welds, wheels, and the hydraulic cylinder.

TROUBLESHOOTING

This section addresses common issues you might encounter with your floor jack.

Problem	Possible Cause	Solution
Jack will not lift load.	<ul style="list-style-type: none">• Release valve open.• Low hydraulic oil.• Air in hydraulic system.• Overload.	<ul style="list-style-type: none">• Turn handle clockwise to close valve.• Check and add hydraulic oil.• Bleed air from system (see Setup).• Reduce load; do not exceed capacity.
Jack lifts slowly or erratically.	<ul style="list-style-type: none">• Low hydraulic oil.• Air in hydraulic system.• Worn or damaged seals.	<ul style="list-style-type: none">• Check and add hydraulic oil.• Bleed air from system (see Setup).• Contact qualified service personnel.
Jack leaks hydraulic fluid.	<ul style="list-style-type: none">• Loose fittings.• Damaged seals.	<ul style="list-style-type: none">• Tighten fittings.• Contact qualified service personnel.
Jack will not lower.	<ul style="list-style-type: none">• Release valve stuck or blocked.	<ul style="list-style-type: none">• Gently turn handle counter-clockwise. If still stuck, contact service.

SPECIFICATIONS

Key technical specifications for the BIG RED T830025-1 Floor Jack.

Model: T830025-1

Brand: BIG RED

Capacity: 3 Ton (6,000 lbs)

Material: Alloy Steel

Minimum Lifting Height: 5-1/8 inches (13.0 cm)

Maximum Lifting Height: 18-5/16 inches (46.5 cm)

Product Dimensions (L x W x H): 22.5" x 12.9" x 6.90" (57.2 x 32.8 x 17.5 cm)

Handle Length: 39.3 inches (99.8 cm)

Item Weight: 27.34 kg (60.27 lbs)

Vehicle Service Type: Car, Light Trucks, SUVs

Features: Single Piston Quick Lift Pump, Detachable Handle, Foam Bumper, 360-degree Swivel Casters, Built-in Safety Valve.

PRODUCT SPECIFICATION

PRODUCT SIZE: 22.5" X 12.9" X 6.90"

RATED CAPACITY: 6000 LB

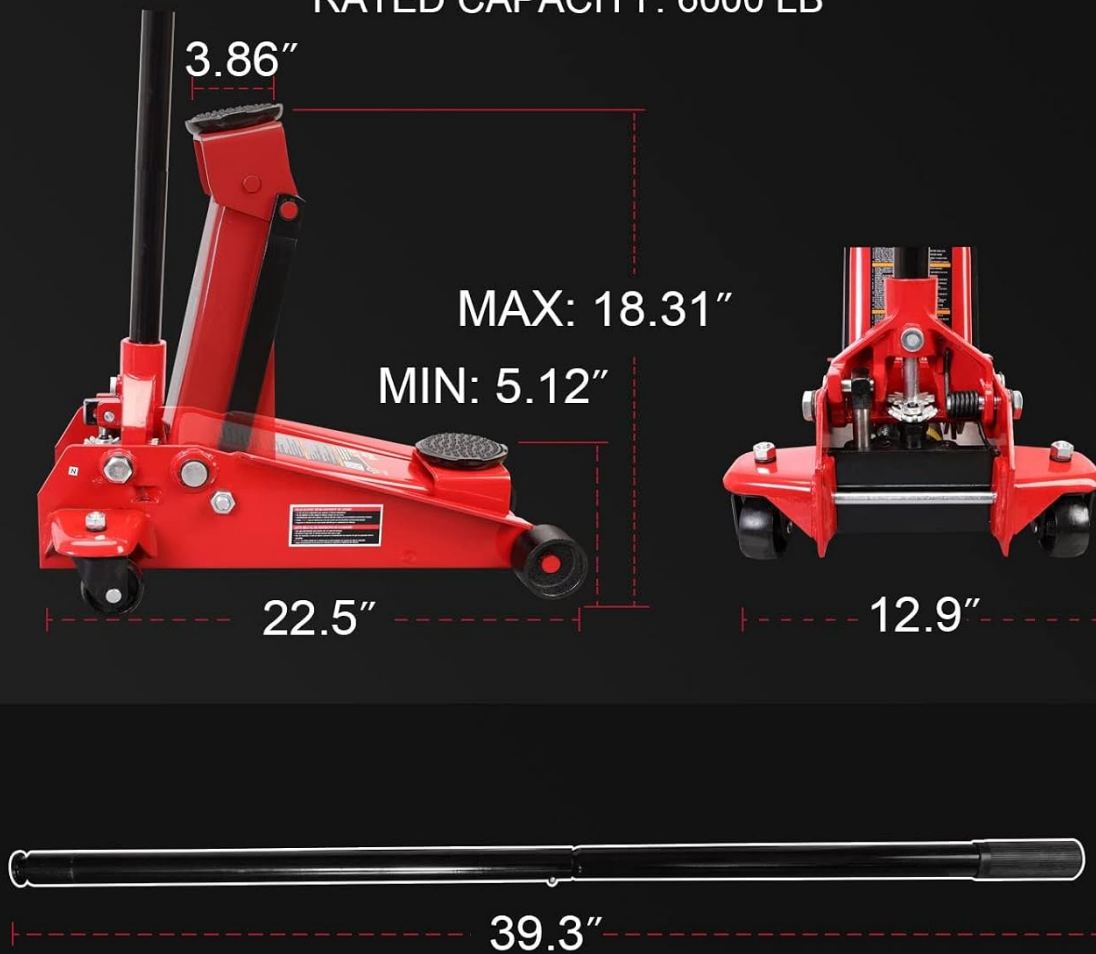


Image: Detailed product specification diagram showing the jack's dimensions, minimum and maximum lifting heights, and handle length.

WARRANTY AND SUPPORT

This BIG RED T830025-1 Floor Jack comes with a **1-year warranty** from the date of purchase, covering defects in materials and workmanship under normal use.

For warranty claims, technical assistance, or to order replacement parts, please contact BIG RED customer support. Keep your purchase receipt as proof of purchase.

Contact information for BIG RED customer support can typically be found on the manufacturer's official website or on the product packaging.