



Manuals.plus /

› WINGBO /

› WINGBO SYCF8002 80-Inch Industrial Ceiling Fan without Light - User Manual

WINGBO SYCF8002

WINGBO SYCF8002 80-Inch Industrial Ceiling Fan without Light - User Manual

Model: SYCF8002 | Brand: WINGBO

1. IMPORTANT SAFETY INFORMATION

Please read and understand this entire manual before attempting to assemble, operate, or install the product. Failure to follow these instructions could result in electric shock, fire, or serious personal injury.

- Ensure all electrical connections comply with local codes, ordinances, and the National Electrical Code (NEC).
- Always disconnect power at the main circuit breaker before installation or maintenance.
- To reduce the risk of electric shock, ensure the fan is properly grounded.
- Mount the fan directly to a structural ceiling joist or an outlet box marked 'Acceptable for Fan Support of 35 lbs (15.9 kg) or less'.
- Do not operate the fan with damaged blades. Replace all blades if any are damaged.
- Maintain a minimum clearance of 7 feet (2.1 meters) from the floor to the trailing edge of the blades.

2. PACKAGE CONTENTS

Verify that all components are present before beginning installation. If any parts are missing or damaged, contact WINGBO customer service.

- Motor Housing Assembly
- 8 Aluminum Fan Blades
- Downrods (4.5", 12", 24")
- Canopy
- Mounting Bracket

- Remote Control
- Receiver
- Hardware Pack (screws, washers, wire nuts, cotter pins)



Image: All components included in the package for the WINGBO 80-inch industrial ceiling fan.

3. SPECIFICATIONS

Detailed technical specifications for the WINGBO SYCF8002 ceiling fan.

Feature	Specification
Brand	WINGBO
Model Name	SYCF8002
Color	Charcoal Gray
Electric Fan Design	Ceiling Fan
Power Source	DC
Style	Industrial
Product Dimensions	80"D x 80"W x 31"H
Room Type	Living Room, Bedroom, Covered Outdoor
Special Feature	No Light, Reversible Motor, Quiet Operation
Recommended Uses	Indoor
Mounting Type	Downrod Mount
Controller Type	Remote Control
Number of Speeds	6
Number of Blades	8
Blade Material	Aluminum
Blade Length	80 Inches
Item Weight	13.7 Kilograms

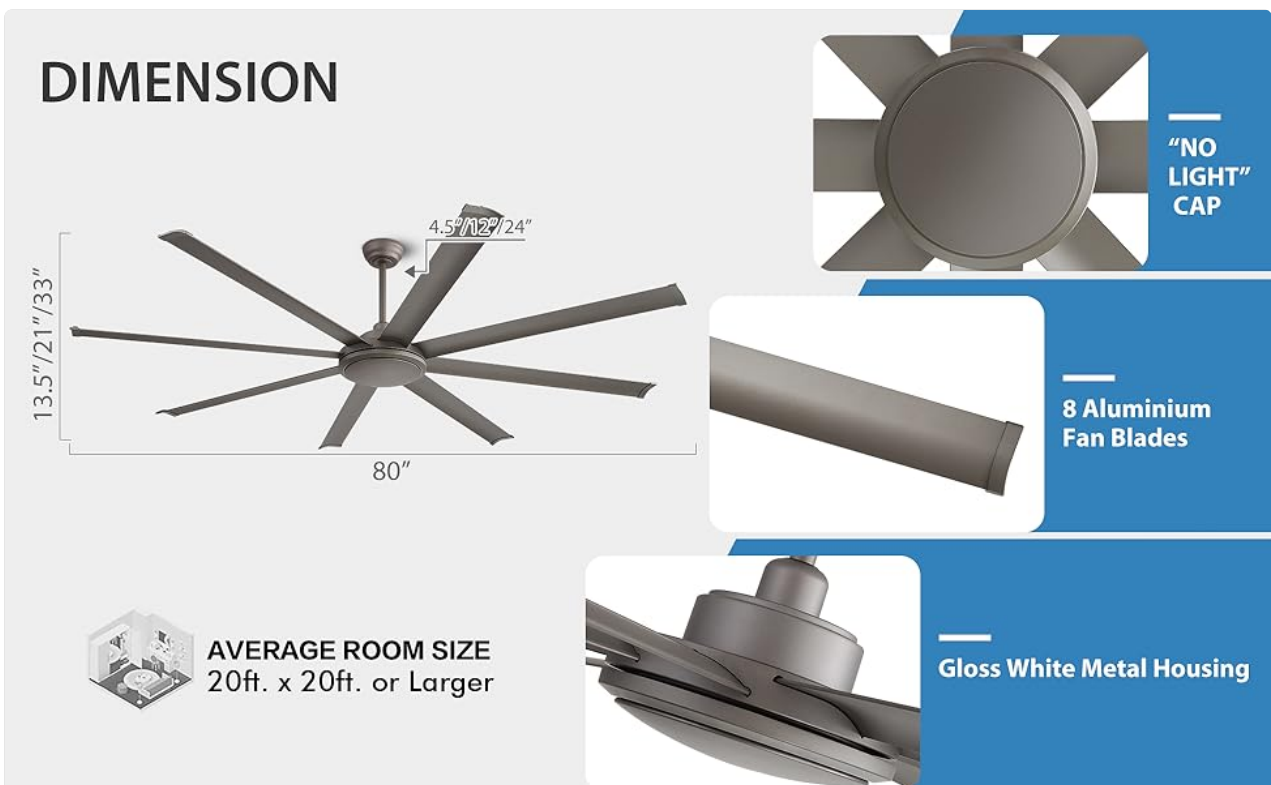


Image: Dimensions and key components of the ceiling fan.

4. SETUP AND INSTALLATION

Follow these steps for proper installation of your WINGBO ceiling fan. Professional installation is recommended if you are not familiar with electrical wiring.

4.1 Blade Assembly

1. Attach the blade holders to each of the 8 aluminum fan blades using the provided screws.
2. Secure each assembled blade to the motor housing, ensuring all screws are tightened.

4.2 Downrod and Canopy Assembly

3. Thread the electrical wires from the motor through the chosen downrod (4.5", 12", or 24").
4. Secure the downrod to the motor housing using the provided pin and screws.
5. Slide the canopy and decorative cover onto the downrod.

4.3 Mounting and Wiring

6. Secure the mounting bracket to the ceiling joist or approved outlet box.
7. Carefully lift the fan assembly and hang it from the mounting bracket.
8. Connect the electrical wires from the fan to the receiver, and then connect the receiver wires to the household wiring (Live, Neutral, Ground) using wire nuts. Ensure all connections are secure.
9. Tuck all wires neatly into the junction box.
10. Slide the canopy up and secure it to the mounting bracket with screws.



Image: Various downrod lengths and ceiling mounting options.

Your browser does not support the video tag.

Video: Detailed installation guide for the WINGBO Industrial Ceiling Fan without Light. This video demonstrates the step-by-step

assembly and wiring process.

5. OPERATING INSTRUCTIONS

Your WINGBO ceiling fan is controlled by the included remote. Ensure the receiver is properly installed and power is supplied to the fan.

5.1 Remote Control Functions



REVERSIBLE QUIET MOTOR

You can choose 6 different speeds according to your needs



Image: Remote control with labeled functions.

- **Fan Control:** Power on/off the fan.
- **Speed (1-6):** Adjust fan speed from 1 (lowest) to 6 (highest).
- **Follow/Reverse:** Changes the direction of the fan blades.
- **Nature Mode:** Activates a fluctuating speed setting to simulate natural breezes.

5.2 Reversible Motor Function

The fan features a reversible DC motor for year-round comfort.

- **Summer Mode (Downward Airflow):** Press the 'Follow/Reverse' button to set blades to rotate counter-clockwise, pushing cool air down.
- **Winter Mode (Upward Airflow):** Press the 'Follow/Reverse' button again to set blades to rotate clockwise, drawing cool air up and circulating warm air.

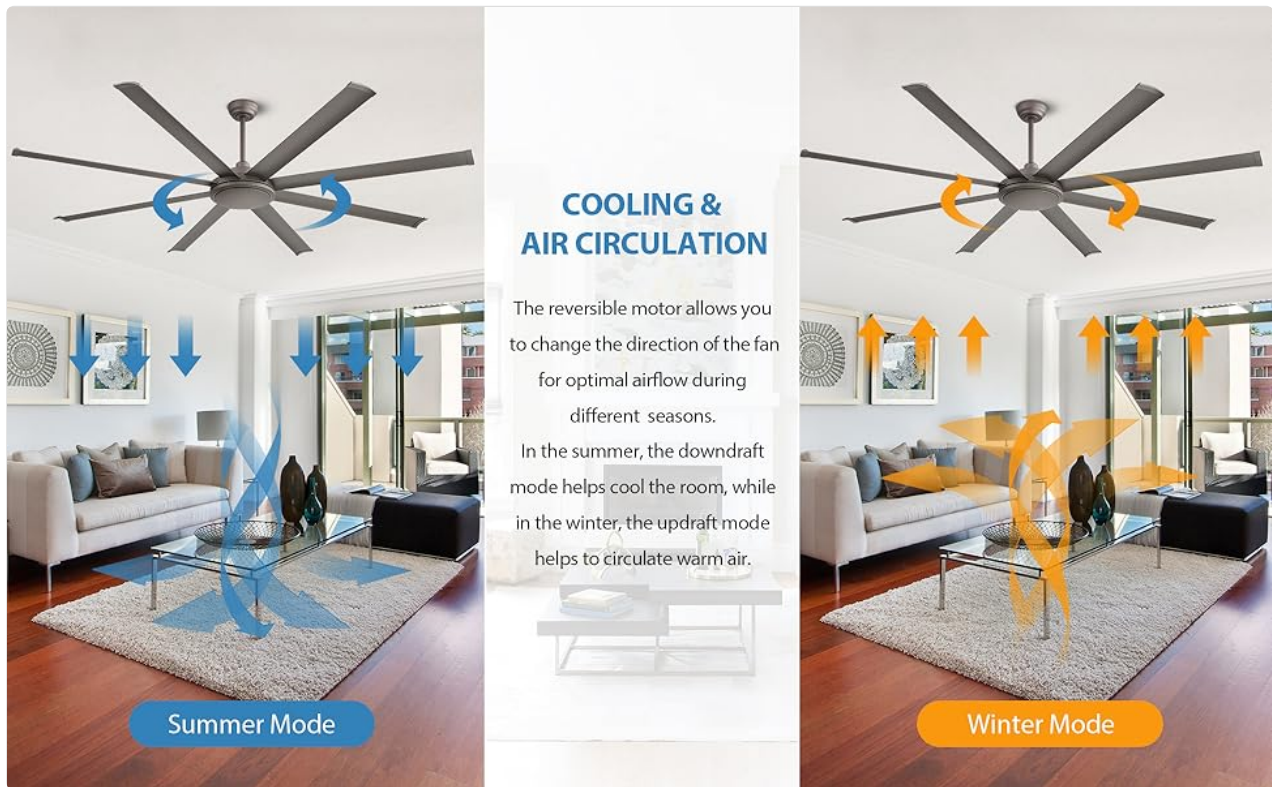


Image: Cooling and air circulation modes (Summer and Winter).

Image: Six adjustable speeds for cooling and air circulation.

6. MAINTENANCE

Regular maintenance ensures optimal performance and longevity of your ceiling fan.

- **Cleaning:** Periodically clean the fan blades and motor housing with a soft, damp cloth. Do not use abrasive cleaners or solvents.
- **Tighten Fasteners:** Check all screws and fasteners on the fan blades and mounting hardware annually. Tighten any loose connections.
- **Lubrication:** The DC motor is permanently lubricated and does not require additional oiling.

7. TROUBLESHOOTING

If you experience issues with your fan, refer to the following common problems and solutions:

Problem	Possible Cause	Solution
Fan does not start	No power to the fan	Check circuit breaker and wall switch.
	Loose wire connections	Turn off power, check all wire connections.
	Remote control battery low or faulty	Replace remote control batteries. Ensure remote is paired with receiver.
Fan is noisy	Loose fan blades or mounting hardware	Tighten all screws on blades and mounting bracket.
	Improperly balanced blades	Use a blade balancing kit (not included) to balance blades.
Fan wobbles excessively	Loose mounting bracket or unbalanced blades	Ensure mounting bracket is securely fastened. Balance blades if necessary.

8. WARRANTY AND SUPPORT

WINGBO is committed to providing high-quality products and customer satisfaction.

- **Motor Warranty:** 10 Years
- **Accessories Warranty:** 3 Years
- **Technical Support:** 24/7 assistance available.

For warranty claims, technical assistance, or to order replacement parts, please contact WINGBO customer service through the retailer where the product was purchased or visit the official WINGBO website.

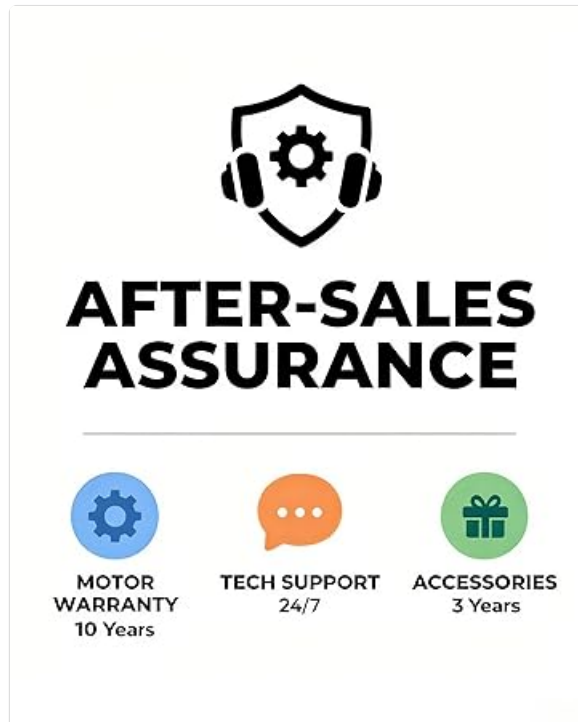


Image: WINGBO After-Sales Assurance details.

