



Manuals.plus /

› WINGBO /

› WINGBO 72 Inch DC Ceiling Fan Instruction Manual Model SYCF7202

WINGBO SYCF7202

WINGBO 72 Inch DC Ceiling Fan Instruction Manual

Model: SYCF7202

[Contents](#) [Installation](#) [Operation](#) [Safety Information](#) [Package](#) [Maintenance](#) [Troubleshooting](#) [Specifications](#) [Support](#)

1. SAFETY INFORMATION

Read and understand all instructions before beginning installation. Failure to follow these instructions may result in electric shock, fire, or serious personal injury.

- Ensure the main power supply is disconnected before installation or maintenance.
- All electrical connections must be made in accordance with local codes, ordinances, and national electrical codes.
- Consult a qualified electrician if you are unfamiliar with electrical wiring.
- The mounting structure must be capable of supporting the fan's weight (approximately 22.7 pounds).
- Do not operate the fan with damaged blades or housing.
- Keep hands, clothing, and other objects clear of the fan blades during operation.
- This fan is suitable for indoor use in damp locations.

2. PACKAGE CONTENTS

Verify that all components listed below are included in your package. If any parts are missing or damaged, contact WINGBO customer support.

- DC Ceiling Fan Motor Assembly
- 5 Reversible Carved Solid Wood Blades
- 3 Downrods (4.5", 12", and 24" lengths)

- Mounting Bracket
- Canopy and Canopy Cover
- Remote Control with Wall Holder
- Hardware Pack (screws, washers, wire nuts)
- Instruction Manual



Image: WINGBO 72 Inch DC Ceiling Fan and its remote control.

3. INSTALLATION GUIDE

Follow these steps for proper installation. Professional installation is recommended for safety and optimal performance.

3.1 Prepare for Installation

- Turn off power at the circuit breaker.
- Ensure the electrical box is securely mounted and capable of supporting the fan's weight.
- Gather necessary tools: screwdriver, wire strippers, ladder, safety glasses.

3.2 Assemble the Blades

1. Attach each of the 5 solid wood blades to the blade arms using the provided screws and washers. Ensure screws are tightened securely.

2. Connect the assembled blade arms to the motor housing.



Premium Quality Blades

The fan blades are made of a high-quality solid natural wood that makes them highly durable and efficient

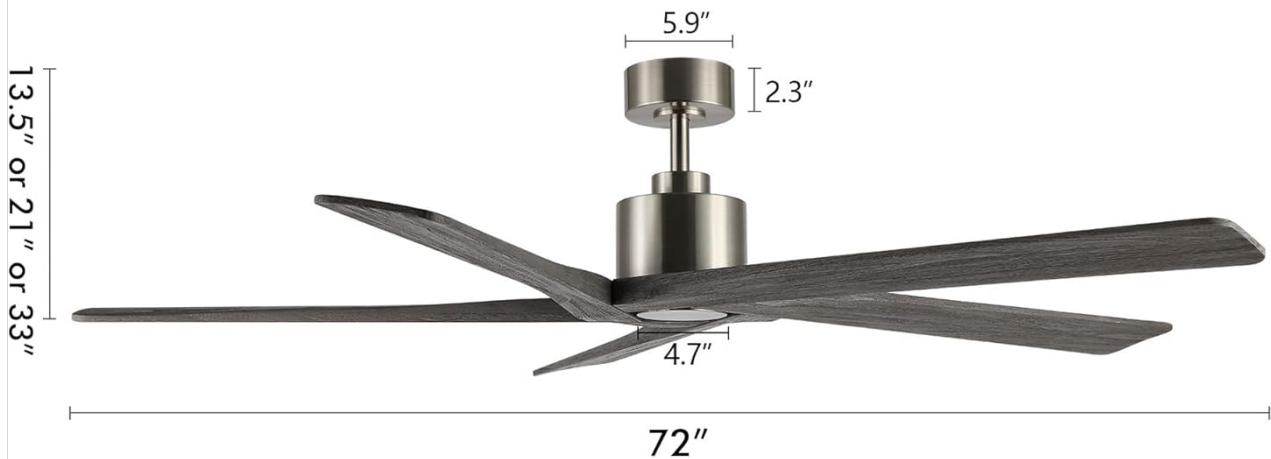
Image: Close-up of a premium quality solid wood blade, highlighting its texture and durability.

3.3 Mount the Downrod and Canopy

1. Select the appropriate downrod length (4.5", 12", or 24") for your ceiling height.
2. Feed the motor wires through the downrod.
3. Secure the downrod to the motor assembly with the provided pin and screws.
4. Slide the canopy and canopy cover over the downrod.

Dimension

4.5", 12" and 24" down rod included



Mounting options



Downrod



Angled



Ideal for room
25'x25' or Larger

Image: Fan dimensions and available downrod lengths (4.5", 12", 24") for various mounting options, including angled ceilings.

3.4 Wiring and Final Mounting

1. Attach the mounting bracket to the ceiling electrical box.
2. Carefully lift the fan assembly and hang it on the mounting bracket.
3. Make all electrical connections (live, neutral, ground) using wire nuts, ensuring secure connections.
4. Tuck all wires neatly into the electrical box.
5. Slide the canopy up and secure it to the mounting bracket with screws.

4. OPERATING INSTRUCTIONS

Your WINGBO DC Ceiling Fan is controlled by the included remote. Ensure batteries are installed correctly in the remote control.

4.1 Remote Control Functions



Image: The remote control for the WINGBO ceiling fan, showing buttons for fan speed (1-6), fan control, follow/reverse, and nature mode.

- **Fan Speed (1-6):** Press buttons 1 through 6 to select desired fan speed, with 6 being the highest.
- **Fan On/Off:** Press the central fan icon button to turn the fan on or off.
- **Reverse Function:** Press the "Follow/Reverse" button (circular arrow icon) to change the direction of the fan blades. This is useful for seasonal adjustments.
- **Timer:** Use the 1H, 2H, 4H, or 8H buttons to set the fan to turn off automatically after the selected duration.
- **Nature Mode:** Press the "Nature Mode" button (wavy lines icon) for a natural breeze effect, where fan speed varies randomly.

4.2 Seasonal Operation (Reverse Function)



6-SPEEDS REVERSIBLE

Summer Mode

forward direction
force the air down

Winter Mode

reverse direction gently
draw the air up

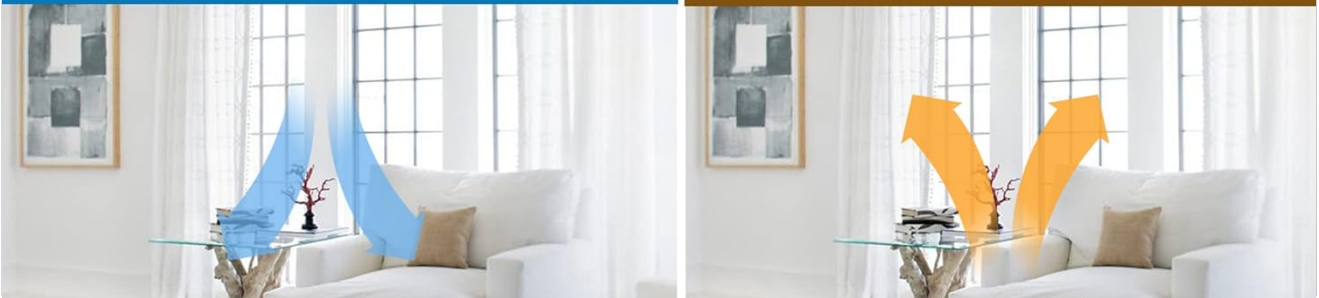


Image: A visual guide explaining the 6-speed reversible function, showing how Summer Mode (forward direction) forces air down and Winter Mode (reverse direction) gently draws air up.

- **Summer Mode (Counter-clockwise rotation):** The fan blades rotate counter-clockwise, pushing air downwards to create a cooling breeze.
- **Winter Mode (Clockwise rotation):** The fan blades rotate clockwise, drawing air upwards to circulate warm air trapped near the ceiling. This helps distribute heat more evenly without creating a direct draft.

5. MAINTENANCE

Regular maintenance ensures the longevity and optimal performance of your ceiling fan.

- **Cleaning:** Periodically clean the fan blades and motor housing with a soft, damp cloth. Do not use abrasive cleaners or solvents.
- **Blade Inspection:** Check the fan blades for any signs of damage or warping. Ensure all blade screws are

tight. Loose blades can cause wobbling and noise.

- **Motor:** The DC motor is designed for long-lasting, quiet operation and typically requires no lubrication.
- **Electrical Connections:** Annually inspect all electrical connections for tightness.

6. TROUBLESHOOTING

If you experience issues with your WINGBO ceiling fan, consult the following common problems and solutions:

Problem	Possible Cause	Solution
Fan does not start	No power to the fan; loose wire connections; remote control not paired or batteries dead.	Check circuit breaker. Ensure all wire connections are secure. Replace remote batteries or re-pair remote according to instructions.
Fan wobbles	Loose blade screws; unbalanced blades; loose mounting bracket.	Tighten all blade screws. Ensure blades are installed evenly. Check mounting bracket for secure attachment to the ceiling.
Noisy operation	Loose screws; internal motor issue; fan not properly balanced.	Check and tighten all screws on the fan and mounting bracket. Ensure blades are balanced. If noise persists, contact customer support.
Remote control not working	Dead batteries; remote not paired; interference.	Replace remote batteries. Re-pair the remote control with the fan. Ensure no obstructions or strong interference sources are present.

7. SPECIFICATIONS

Feature	Detail
Brand	WINGBO
Model Name	72 Inch DC Ceiling Fan
Model Number	SYCF7202
Color	Nickel and Gray
Product Dimensions	72"D x 72"W x 33"H
Blade Length	72 Inches
Number of Blades	5
Motor Type	DC
Number of Power Levels	6
Control Method	Remote
Special Feature	No Light, Patent No.: D983955S
Indoor/Outdoor Usage	Indoor (suitable for damp places)
Item Weight	22.7 pounds

8. WARRANTY AND SUPPORT

For warranty information, technical support, or to order replacement parts, please contact WINGBO customer service.

Visit the official WINGBO store for more products and support: **WINGBO Store**

Please have your model number (SYCF7202) and purchase date available when contacting support.