

Manuals+

[Q & A](#) | [Deep Search](#) | [Upload](#)

Manuals.plus /

› [HomeStock](#) /

› HomeStock Medieval Dining Set 7-Piece Instruction Manual

HomeStock Medieval Dining Set 7-Piece

HomeStock Medieval Dining Set 7-Piece Instruction Manual

Model: Medieval Dining Set 7-Piece | Brand: HomeStock

INTRODUCTION

Thank you for purchasing the HomeStock Medieval Dining Set. This manual provides essential information for the safe assembly, proper use, and maintenance of your new 7-piece dining set, which includes a 60-inch rectangular table and six chairs. Please read these instructions carefully before beginning assembly and retain this manual for future reference.



Image: The complete HomeStock Medieval Dining Set, featuring a rectangular table and six chairs, arranged in a dining room

setting.

SAFETY INFORMATION

- Always assemble the product on a soft, non-abrasive surface to prevent scratches.
- Ensure all bolts and screws are securely tightened before use. Periodically check and re-tighten as necessary.
- Do not overtighten fasteners, as this may damage the wood.
- Keep small parts and packaging materials away from children during assembly.
- Do not stand on the table or chairs.
- Place the dining set on a level surface to prevent wobbling and instability.
- Maximum weight capacity for each chair is 250 lbs (113 kg).
- Maximum weight capacity for the table is 150 lbs (68 kg).

PACKAGE CONTENTS

Before beginning assembly, verify that all components listed below are present and undamaged. If any parts are missing or damaged, please contact customer support.

Table Components:

- 1x Tabletop
- 4x Table Legs
- Hardware Pack (Bolts, Washers, Allen Wrench)

Chair Components (per chair):

- 1x Chair Backrest
- 1x Chair Seat
- 2x Front Legs
- 2x Back Legs
- Hardware Pack (Bolts, Washers, Allen Wrench)

SETUP AND ASSEMBLY

Follow these steps carefully to assemble your dining set. It is recommended to have two people for table assembly.

Table Assembly:

1. Carefully unbox all table components and lay them out on a clean, soft surface.
2. Attach each of the four table legs to the underside of the tabletop using the provided bolts and washers. Ensure the legs are oriented correctly. Hand-tighten all bolts initially.
3. Once all legs are attached, carefully flip the table upright. With the table standing on its legs, gradually tighten all bolts using the Allen wrench until secure. Do not overtighten.
4. Verify the table is stable and level.



Image: A close-up view of the assembled rectangular dining table, showcasing its wooden finish and sturdy legs.

Chair Assembly (Repeat for each of the six chairs):

1. Unpack all chair components for one chair.
2. Attach the chair backrest to the chair seat using the appropriate bolts. Ensure a snug fit.
3. Connect the front and back legs to the assembled seat and backrest structure. Pay attention to the leg orientation.
4. Hand-tighten all bolts first, then place the chair on a level surface. Gradually tighten all bolts using the Allen wrench until secure. Do not overtighten.
5. Repeat for the remaining five chairs.



Image: A pair of assembled dining chairs, featuring the distinctive X-back design and wooden construction.

OPERATING AND USAGE

- Use the dining set for its intended purpose: dining and seating.
- Avoid placing excessively hot items directly on the table surface. Use placemats or coasters.
- Distribute weight evenly on the table and chairs.
- Do not drag the table or chairs across the floor; lift them to move to prevent damage to the furniture and flooring.

MAINTENANCE

- **Cleaning:** Wipe surfaces with a soft, damp cloth. Avoid harsh chemicals or abrasive cleaners, which can damage the wood finish.
- **Spills:** Clean spills immediately to prevent staining or water damage.
- **Sunlight:** Avoid prolonged exposure to direct sunlight, which can cause fading or cracking of the wood.
- **Humidity:** Maintain a consistent humidity level in your home to prevent wood from expanding or contracting excessively.
- **Fasteners:** Periodically check and re-tighten all bolts and screws to ensure the stability and safety of the furniture.

TROUBLESHOOTING

Problem	Possible Cause	Solution
---------	----------------	----------

Problem	Possible Cause	Solution
Table/Chair wobbles	Uneven floor; loose fasteners	Ensure furniture is on a level surface. Check and tighten all bolts and screws.
Scratches on surface	Sharp objects; abrasive cleaning	Use furniture polish or touch-up pens for minor scratches. Use placemats/coasters.
Wood cracking/warping	Extreme temperature/humidity changes	Maintain stable room temperature and humidity. Avoid direct sunlight or heat sources.

SPECIFICATIONS

- **Product Type:** 7-Piece Dining Set (1 Table, 6 Chairs)
- **Table Dimensions:** Approximately 60" L x 36" W x 29.25" H
- **Chair Dimensions:** Approximately 18" L x 16" W x 38" H (Seat Height: 18")
- **Material:** Solid Wood
- **Color:** Brown (as depicted)

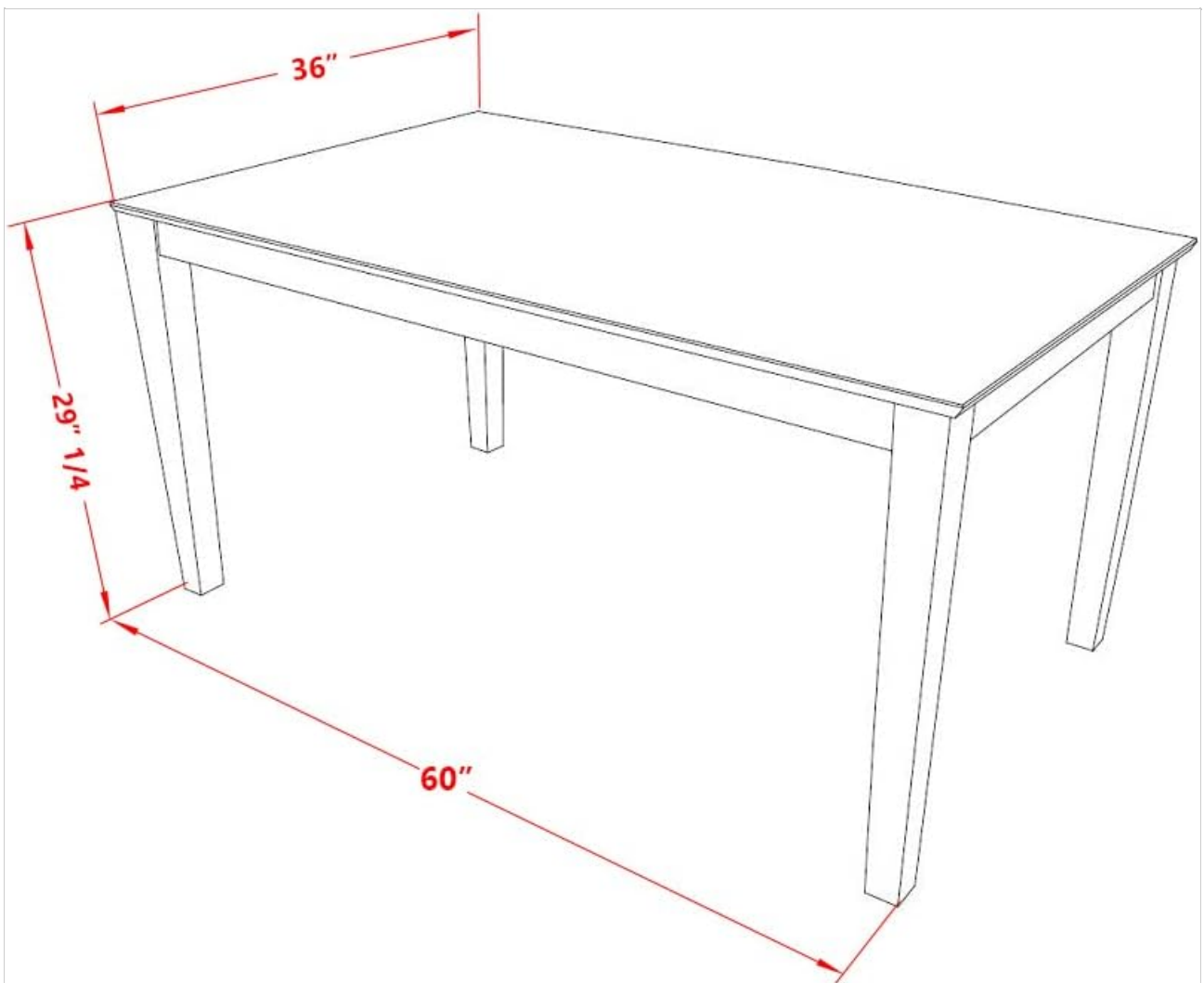


Image: Technical diagram illustrating the dimensions of the rectangular dining table: 60 inches length, 36 inches width, and 29 1/4 inches height.

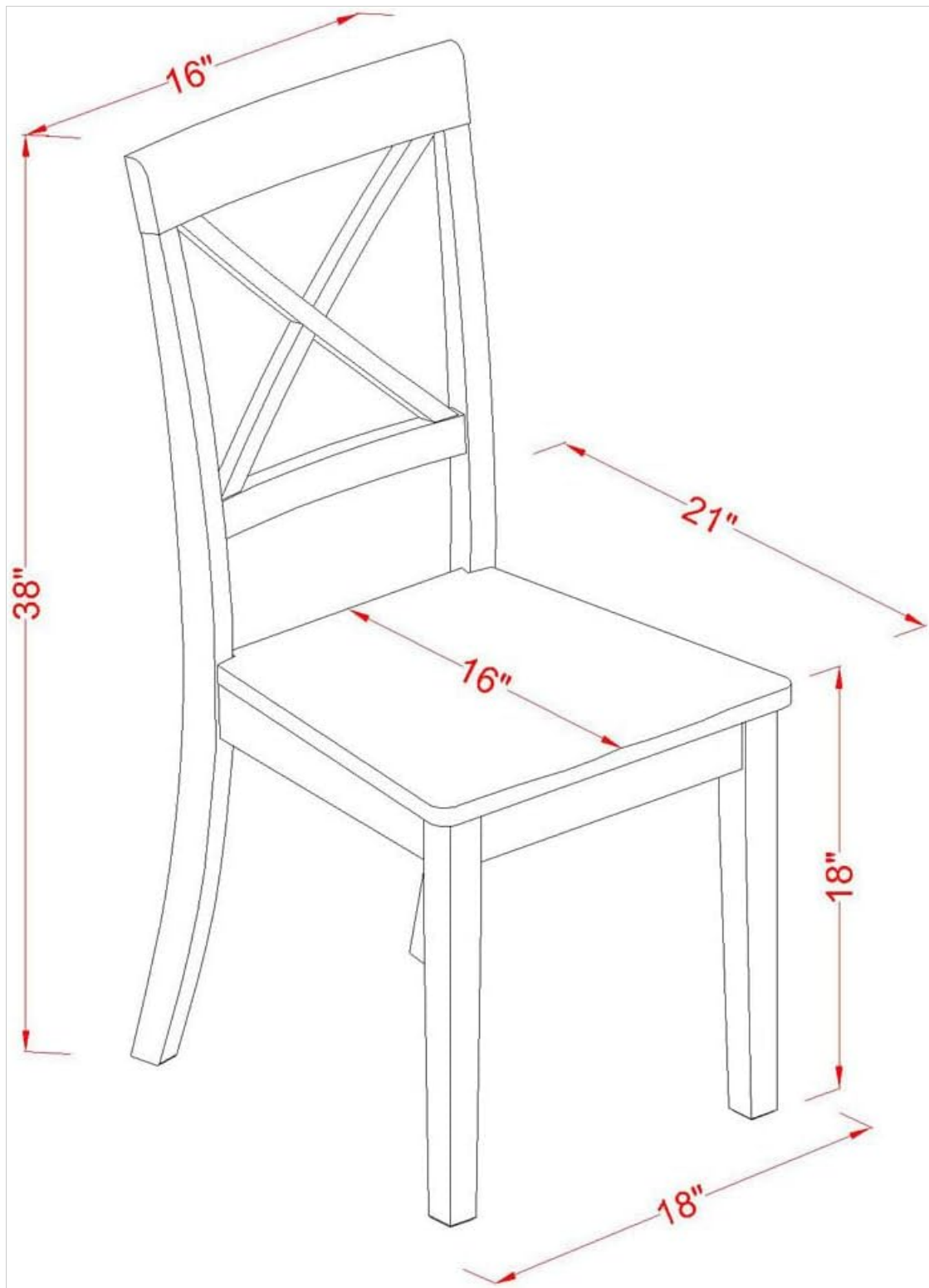


Image: Technical diagram illustrating the dimensions of a dining chair: 18 inches length, 16 inches width, 38 inches height, with a seat height of 18 inches.

WARRANTY AND SUPPORT

HomeStock products are manufactured with quality and care. For specific warranty details, please refer to the warranty card included with your purchase or visit the official HomeStock website. If you have any questions, require assistance with assembly, or need to report missing/damaged parts, please contact HomeStock customer support through the retailer where the product was purchased or via the contact information provided on our website.

For further assistance, please visit: [HomeStock Brand Page on Amazon](#)

