



[Manuals.plus](#) /

› [Midea](#) /

› Midea Portable Dishwasher MDC22P1AWW User Manual

Midea MDC22P1AWW

Midea Portable Dishwasher MDC22P1AWW User Manual

Model: MDC22P1AWW

Brand: Midea

INTRODUCTION

This user manual provides detailed instructions for the safe and efficient operation, installation, and maintenance of your Midea MDC22P1AWW portable dishwasher. Please read this manual thoroughly before using the appliance and retain it for future reference.

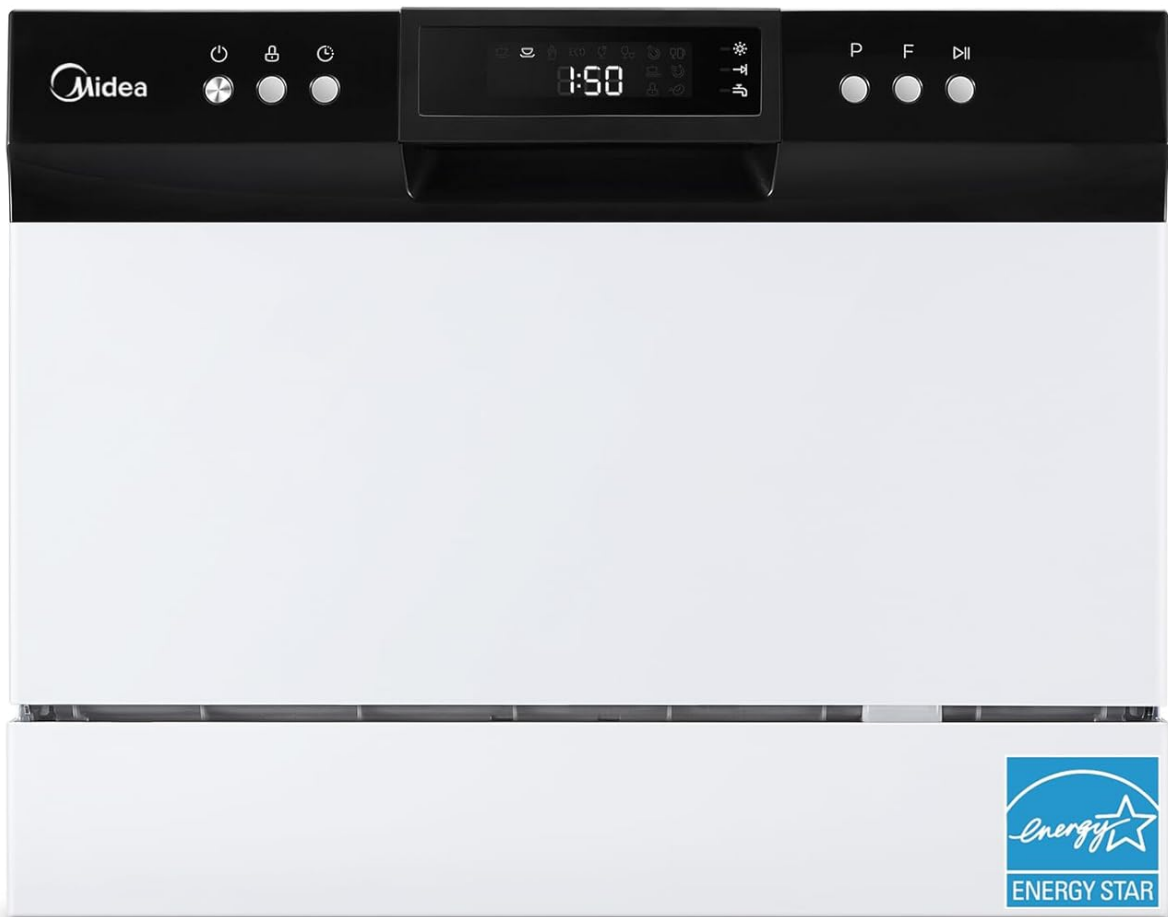


Figure 1: Front view of the Midea MDC22P1AWW Portable Dishwasher.

SAFETY INFORMATION

Always follow basic safety precautions when using electrical appliances to reduce the risk of fire, electric shock, and injury to persons.

- Read all instructions before using the dishwasher.
- Connect to a properly grounded outlet only.
- Do not operate a damaged appliance.
- Keep children away from the dishwasher during operation.
- Use only detergents and rinse aids recommended for dishwashers.

PRODUCT OVERVIEW

Key Features:

- **6 Place Setting:** A perfect size (H17.2"×W20.6"×D21.6") for 2-3 people, suitable for dorms, RVs, and apartments. This countertop dishwasher can fit up to 70 pieces of tableware and has a plate size of up to 10 inches in diameter.
- **8 Washing Cycles:** Includes Heavy, Normal, Baby-Care, ECO, Glass, Speed, Mini-party, and Rinse.
- **Extra-Drying Function:** Delivers sparkingly cleaned and dried dishes.
- **Heavy Program:** Cleans heavily soiled dishes with 12 washing nozzles and 360° spiral spray wash, using high water temperature (up to 68°C) and pressure.
- **Speed Program:** Cleans dishes in 45 minutes, with water consumption as low as 2.77 gallons.

- **Flexible Installation:** Can be connected to a faucet directly or fitted in a cupboard.

Dimensions and Capacity:

SMALL SIZE, LARGE CAPACITY

6 Place Settings Perfect for a Small Family

Kindly note: the dishwasher fits dishes max to 10" in diameter

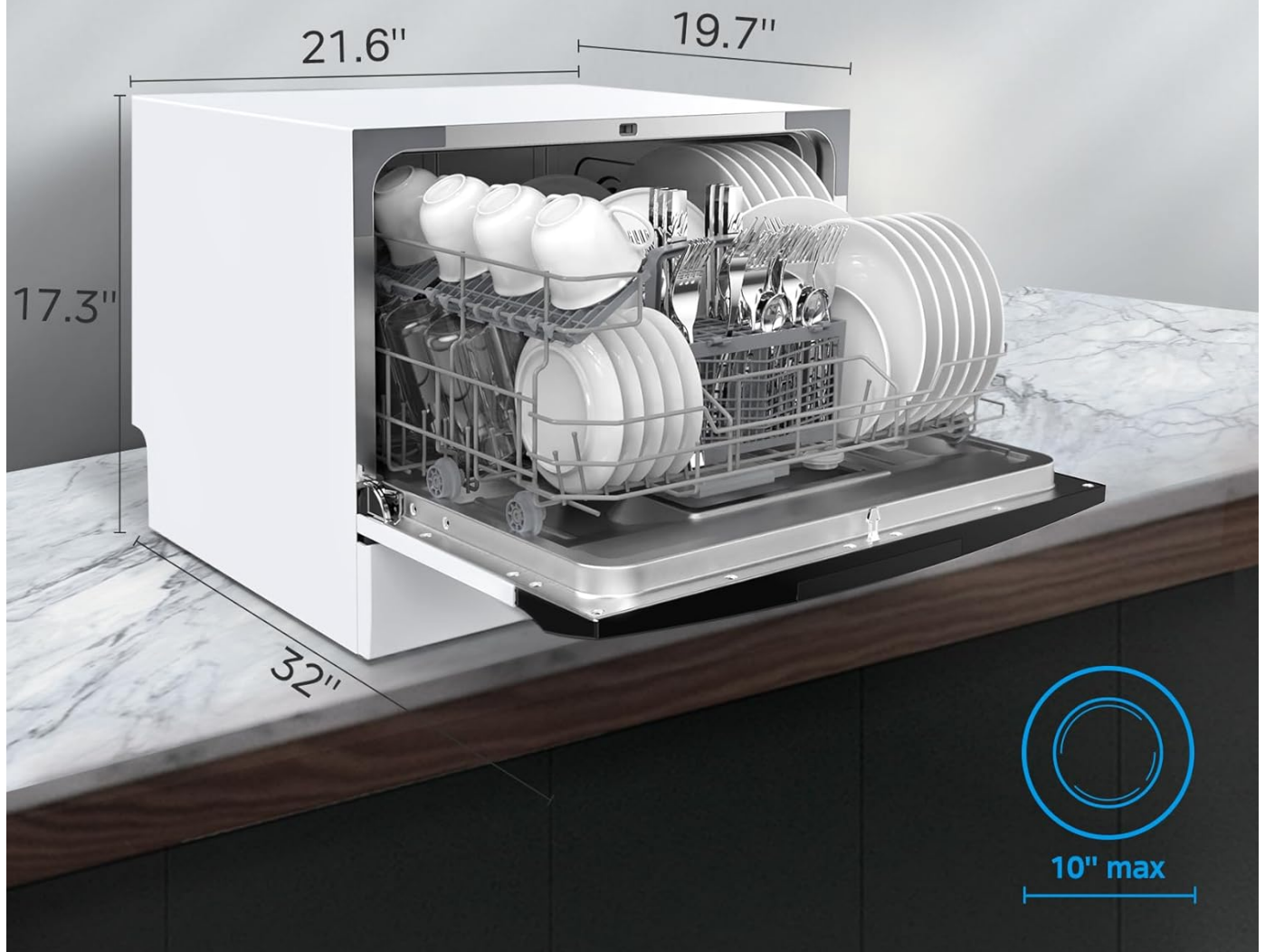


Figure 2: The dishwasher measures H17.2"×W20.6"×D21.6", ideal for compact spaces. It can hold up to 6 place settings.

6 PLACE SETTINGS

14 Categories. Up To 70 Pieces

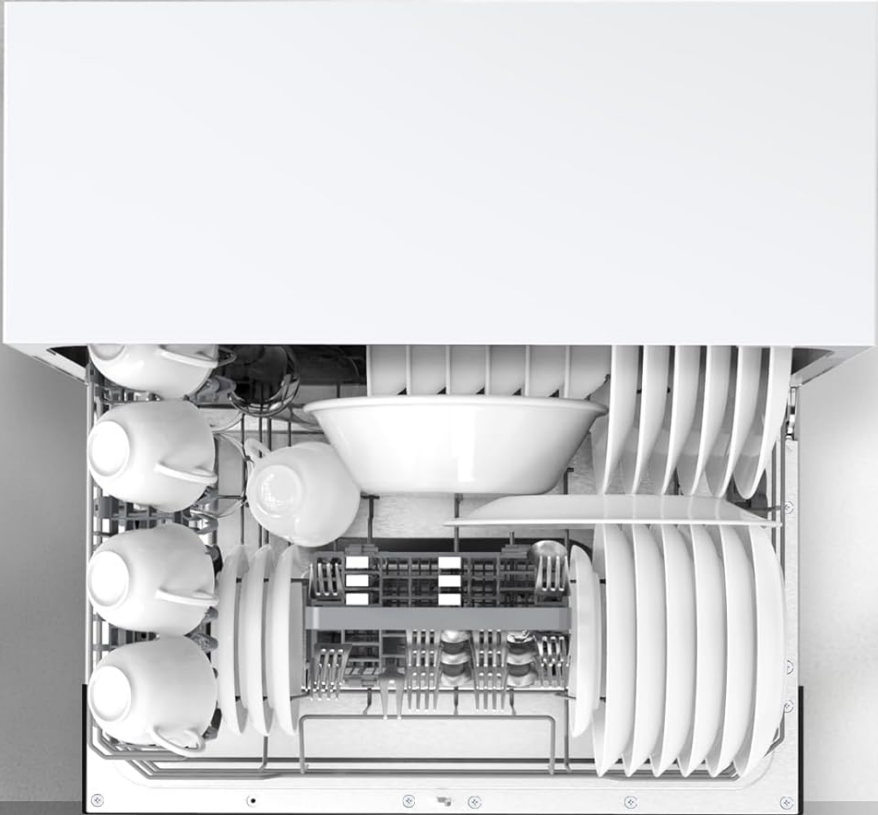


Figure 3: Example of 6 place settings, accommodating up to 70 pieces of tableware.

8 WASH CYCLES



Heavy 100 mins

Heavily soiled dishware



Normal 110 mins

Moderately soiled dishware



Baby Care 90 mins

Lightly soiled dishware



ECO 75 mins

Lightly soiled dishware



Glass 70 mins

Lightly soiled glasses and dishware



Speed 45 mins

Lightly soiled dishware



Rinse 24 mins

Lightly soiled glasses



Mini-party 20 mins

Lightly soiled glasses

Figure 4: Features like a large dish rack, removable cutlery basket, versatile cup shelves, and a slope cup rack allow for flexible loading.

SETUP AND INSTALLATION

The Midea portable dishwasher offers simple installation options, allowing it to be placed on a countertop or integrated into cabinetry.

Countertop Placement:

Ensure sufficient space on your countertop. The dishwasher can be placed next to a sink for easy water connection.

FLEXIBLE INSTALLATION

Compact Dishwasher Ideal for Tiny Kitchens



Figure 5: The dishwasher can be placed next to the sink or built-in.

Water Connection:

The dishwasher can be connected directly to a faucet using the quick-connect inlet hose (adapter included). For under-counter installation, a standard $\frac{3}{4}$ " male thread connector is required, and you may need to purchase a hose thread adapter.

How to connect ?

Connect Under Counter

Box included 59" inlet hose, only suitable for standard 3/4" male thread connector. Therefore, you may need to purchase a hose thread adapter.



Direct Connect With Faucet



Figure 6: Instructions for connecting the dishwasher under the counter or directly to a faucet.

Important: Ensure the distance between your countertop and wall cupboard is more than 17.5 inches for proper clearance.



Figure 7: Ensure adequate clearance above the dishwasher for proper operation and ventilation.

OPERATION

Control Panel:

DELAY START TIMER UP TO 24 HOURS



Figure 8: The control panel features an LED display and buttons for program selection, delay start, and additional functions.

Washing Programs:

Select the appropriate washing program based on the soil level of your dishes.

FLEXIBLE DESIGNS FOR MAXIMUM LOADING

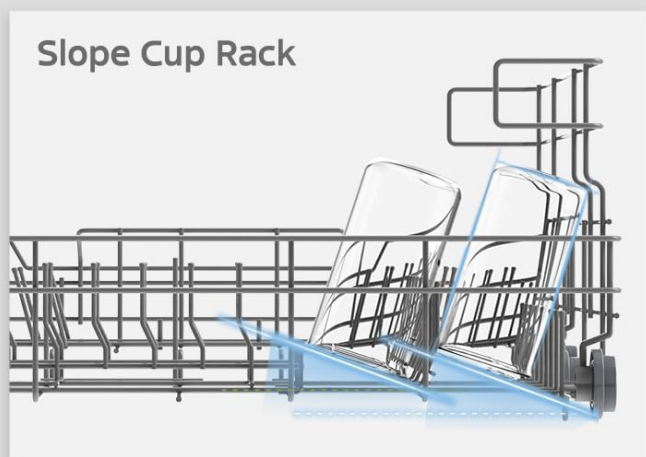
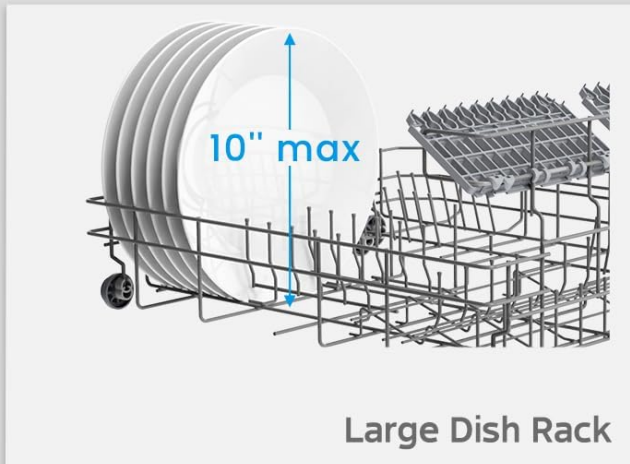


Figure 9: Overview of the 8 available wash cycles and their typical durations.

- **Heavy (100 mins):** For heavily soiled dishware.
- **Normal (110 mins):** For moderately soiled dishware.
- **Baby-Care (90 mins):** For lightly soiled dishware, suitable for baby items.
- **ECO (75 mins):** Energy-efficient cycle for lightly soiled dishware.
- **Glass (70 mins):** For lightly soiled glasses and dishware.
- **Speed (45 mins):** Quick wash for lightly soiled dishware.
- **Rinse (24 mins):** For rinsing lightly soiled glasses.
- **Mini-party (20 mins):** For quick cleaning during events.

Additional Functions:

- **Extra-Drying:** Enhances drying performance.
- **Delay Start:** Set a timer for the wash cycle to begin later (up to 24 hours).

DELAY START TIMER UP TO 24 HOURS



Figure 10: The delay start timer allows scheduling washes up to 24 hours in advance.

MAINTENANCE

Cleaning the Dishwasher:

Regular cleaning ensures optimal performance and longevity of your dishwasher.

- **Filter System:** Regularly check and clean the filter system to prevent food particle buildup.
- **Spray Arms:** Ensure the spray arm nozzles are not clogged.
- **Interior:** Wipe down the interior with a damp cloth after each use. Periodically run a cleaning cycle with a dishwasher cleaner.

Detergent and Rinse Aid:

Use only automatic dishwasher detergent. Fill the rinse aid dispenser as needed to ensure streak-free drying. For hard water areas, consider using dishwasher salt to soften the water, which helps prevent limescale buildup and improves cleaning results.

TROUBLESHOOTING

This section addresses common issues you might encounter with your dishwasher.

Problem	Possible Cause	Solution
Dishwasher does not start	Power cord not plugged in; Door not closed properly; Fuse blown or circuit breaker tripped.	Ensure power cord is securely plugged in; Close the door firmly; Check household fuse/circuit breaker.
"E1" error code (Longer inlet time)	Faucet not opened; Water intake restricted; Water pressure too low.	Open the water faucet completely; Check inlet hose for kinks or blockages; Verify household water pressure.
Dishes not clean	Improper loading; Insufficient detergent; Clogged spray arms; Filter system dirty.	Refer to loading guidelines; Use recommended amount of detergent; Clean spray arm nozzles; Clean filter system.
Noisy operation	Dishes rattling; Foreign object in pump; Water expulsion during cycle.	Ensure dishes are securely placed; Check for and remove any foreign objects; Water expulsion is normal during certain cycles.
Dishes not drying	No rinse aid; Extra-drying function not selected; Improper loading.	Refill rinse aid dispenser; Select extra-drying function; Ensure dishes are loaded to allow proper drainage and airflow.

SPECIFICATIONS

Specification	Value
Brand	Midea
Model Name	Dishwasher 6 place settings
Model Number	MDC22P1AWW
Installation Type	Countertop
Capacity	6 Place Settings
Product Dimensions (D x W x H)	19.69"D x 21.63"W x 17.25"H
Item Weight	44.1 Pounds
Voltage	120 Volts
Number of Cycles	8
Water Consumption	2.22 Gallons per Hour
Annual Energy Consumption	155 Kilowatt Hours Per Year
Noise Level	52 dB

Specification	Value
Material	Plastic
Included Components	Dishwasher, Quick-Connect Inlet Hose (Adapter Included), Tableware Basket, Water Pitcher, Drain Hose

WARRANTY AND SUPPORT

For detailed warranty information and customer support, please refer to the official Midea resources.

- **Installation Manual (PDF):** [Download Here](#)
- **Visit the Midea Store:** [Midea Official Store on Amazon](#)