

[Manuals.plus](#) /

> [soges](#) /

> soges Multi-Functional Kitchen Baker's Rack, White, Model 172-WH Instruction Manual

soges 172-WH

soges Multi-Functional Kitchen Baker's Rack

MODEL: 172-WH

Introduction

Thank you for choosing the soges Multi-Functional Kitchen Baker's Rack. This versatile storage unit is designed to enhance your kitchen organization, providing dedicated space for microwave ovens, other appliances, and various kitchen essentials. Its robust construction ensures stability and durability for long-term use. Please read this manual thoroughly before assembly and use to ensure proper installation and safe operation.

Safety Information

Always adhere to the safety warnings provided with the product. Ensure all components are securely fastened during assembly. Do not overload the shelves beyond their recommended weight capacity. Keep small parts away from children during assembly to prevent choking hazards. Place the rack on a level surface to prevent tipping.

Package Contents

Before beginning assembly, verify that all parts are present and undamaged. If any parts are missing or damaged, please contact customer support.

- Main frame components (metal tubes)
- Laminated wood shelves
- Hardware kit (screws, bolts, Allen wrench, etc.)
- S-shaped hooks
- Adjustable leg pads
- Assembly instructions (typically included)

Assembly Instructions

Assembly is required for this product. It is recommended to have two people for easier and faster assembly. Follow the step-by-step instructions and diagrams provided in the included assembly manual. Ensure all screws and bolts are tightened securely before use.

PRODUCT SIZE

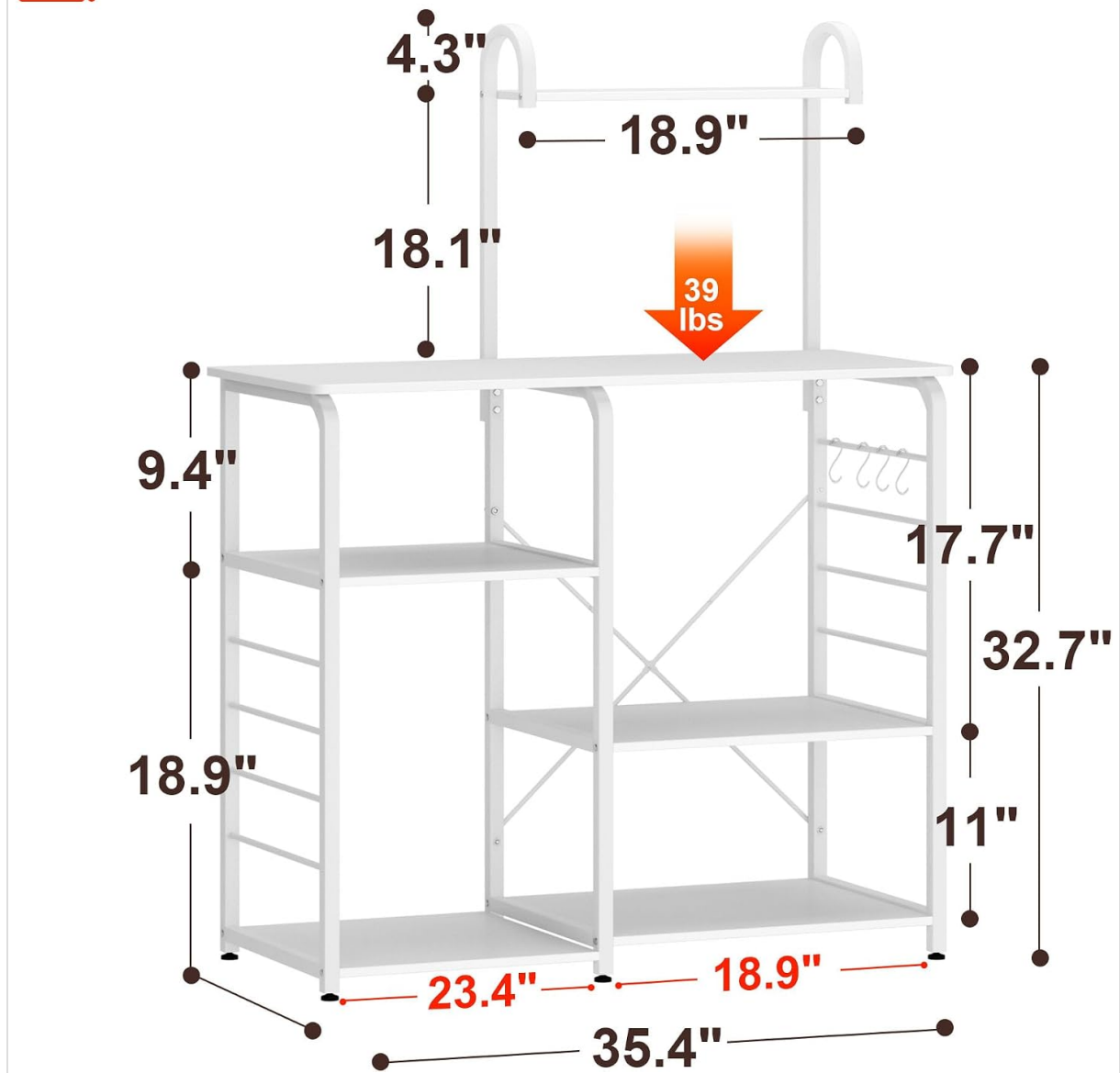


Figure 1: Dimensions of the soges Kitchen Baker's Rack. Refer to this diagram for component identification and placement during assembly.

Figure 2: Detailed view of key structural elements, including the X-shaped crossbar for enhanced stability, S-shaped hooks for utensil storage, and adjustable foot pads for leveling on uneven floors.

- 1. Unpack and Identify Parts:** Lay out all components and hardware. Compare them with the parts list in your assembly manual to ensure everything is present.
- 2. Assemble the Frame:** Connect the metal frame components using the provided screws and tools. Do not fully tighten screws until all parts are loosely assembled.
- 3. Attach Shelves:** Secure the laminated wood shelves to the frame. Ensure they are oriented correctly according to the diagrams.
- 4. Install X-shaped Crossbar:** Attach the X-shaped crossbar to the rear of the frame for added stability.

5. **Attach Hooks and Leg Pads:** Install the S-shaped hooks on the designated bar. Screw in the adjustable leg pads at the bottom of the frame.
6. **Final Tightening:** Once all components are in place, fully tighten all screws and bolts. Adjust the leg pads to ensure the rack is stable and level.

Operating Instructions

The soges Kitchen Baker's Rack is designed for versatile use in your kitchen or other areas requiring additional storage.



Figure 3: The assembled baker's rack, ready for use in a kitchen setting.

- **Appliance Placement:** The main countertop and upper shelves are suitable for microwave ovens, coffee makers, toasters, and other small kitchen appliances. Ensure appliances are placed centrally and do not exceed the shelf's weight capacity.
- **Storage Organization:** Utilize the multiple tiers for storing spices, dishes, cookware, and other kitchen items. The open design allows for easy access and visibility.
- **Utensil Hooks:** The included S-shaped hooks are ideal for hanging cooking tools such as spatulas, ladles, and oven mitts, keeping them within reach and freeing up drawer space.

- **Adjustable Leg Pads:** If the rack feels wobbly, adjust the leg pads at the bottom to stabilize the unit on uneven flooring.

Maintenance

To ensure the longevity and appearance of your baker's rack, follow these simple maintenance guidelines:

- **Cleaning:** Wipe the laminated wood panels and metal frame with a dry cloth to remove dust and spills. For stubborn stains, use a slightly damp cloth and mild detergent, then dry immediately. Avoid abrasive cleaners or harsh chemicals.
- **Inspection:** Periodically check all screws and bolts to ensure they remain tight. Re-tighten if necessary to maintain stability.
- **Avoid Excessive Moisture:** While the shelves are waterproof, prolonged exposure to excessive moisture should be avoided to prevent damage.

Troubleshooting

If you encounter any issues with your soges Kitchen Baker's Rack, consider the following:

- **Wobbling:** Ensure the rack is placed on a flat, level surface. Adjust the leg pads at the bottom of each support leg until the rack is stable. Check that all assembly screws are fully tightened.
- **Difficulty Assembling:** Refer back to the assembly instructions and diagrams. Ensure all parts are correctly oriented before tightening screws. Sometimes, loosening all screws slightly, adjusting components, and then re-tightening can resolve alignment issues.
- **Damaged or Missing Parts:** If you received damaged parts or are missing components, please contact customer support immediately for assistance.

Specifications

Feature	Detail
Brand	soges
Model Name	10CZWK172-WH
Product Dimensions (D x W x H)	16.5" x 35.4" x 51.9" (41.9 cm x 89.9 cm x 131.8 cm)
Material	Wood (laminated) and Powder Coated Metal
Color	White
Number of Shelves	5 (4-tier + 3-tier configuration)
Item Weight	30 Pounds (13.6 kg)
Mounting Type	Floor Mount (Freestanding)
Special Feature	Space Saving, Adjustable Leg Pads, X-frame design
Assembly Required	Yes
Product Care Instructions	Wipe with Dry Cloth

Warranty and Support

soges is committed to providing quality products and customer satisfaction. While specific warranty details are not provided in this manual, we offer a 24-hour immediate reply service for any issues or inquiries you may have regarding your kitchen microwave stand. If you encounter any problems, please contact us directly, and our support team will respond and offer a solution within 24 hours.