

[Manuals.plus](#) /

> [soges](#) /

> soges Kitchen Standing Baker's Rack (Model 10CZWK171-WH) Instruction Manual

## soges 10CZWK171-WH

# soges Kitchen Standing Baker's Rack

MODEL: 10CZWK171-WH

## Introduction

---

Thank you for choosing the soges Kitchen Standing Baker's Rack. This multi-layer storage solution is designed to enhance your kitchen organization, providing dedicated space for appliances, cookware, and other essentials. Its sturdy construction and versatile design make it suitable for various home and office settings.

## Safety Information

---

- Always assemble according to the instructions provided.
- Do not overload the shelves beyond their recommended weight capacity.
- Use caution when moving the cart, especially on uneven surfaces, to prevent tipping.
- Keep the area around the cart clear of obstacles to ensure stability and safe access.

## Package Contents

---

Before beginning assembly, please ensure all parts listed in the included hardware package are present.

The package typically contains:

- Wood panels (shelves)
- Metal frame components
- Pull-out wire basket
- S-shaped hooks
- Assembly hardware (screws, bolts, Allen wrench)
- Adjustable foot pads

## Setup and Assembly

Assembly of the soges Kitchen Standing Baker's Rack is straightforward. All necessary tools, such as an Allen wrench, are included in the packaging. Follow the step-by-step instructions provided in the manual that came with your product. The design incorporates an X-shaped crossbar for enhanced stability and adjustable foot pads to ensure the rack remains stable on uneven floors.

## PRODUCT SIZE

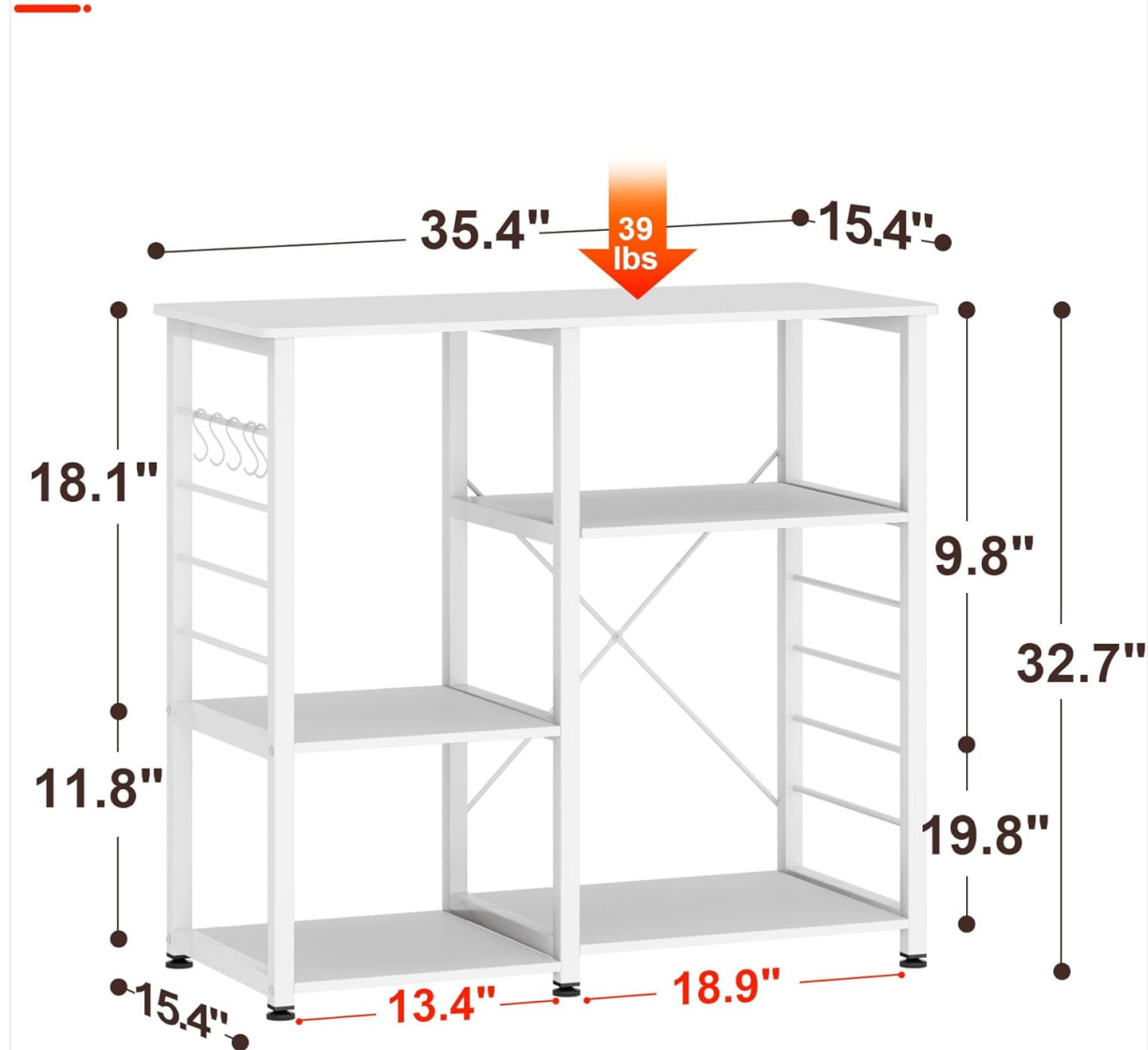


Figure 1: Product dimensions for assembly planning.

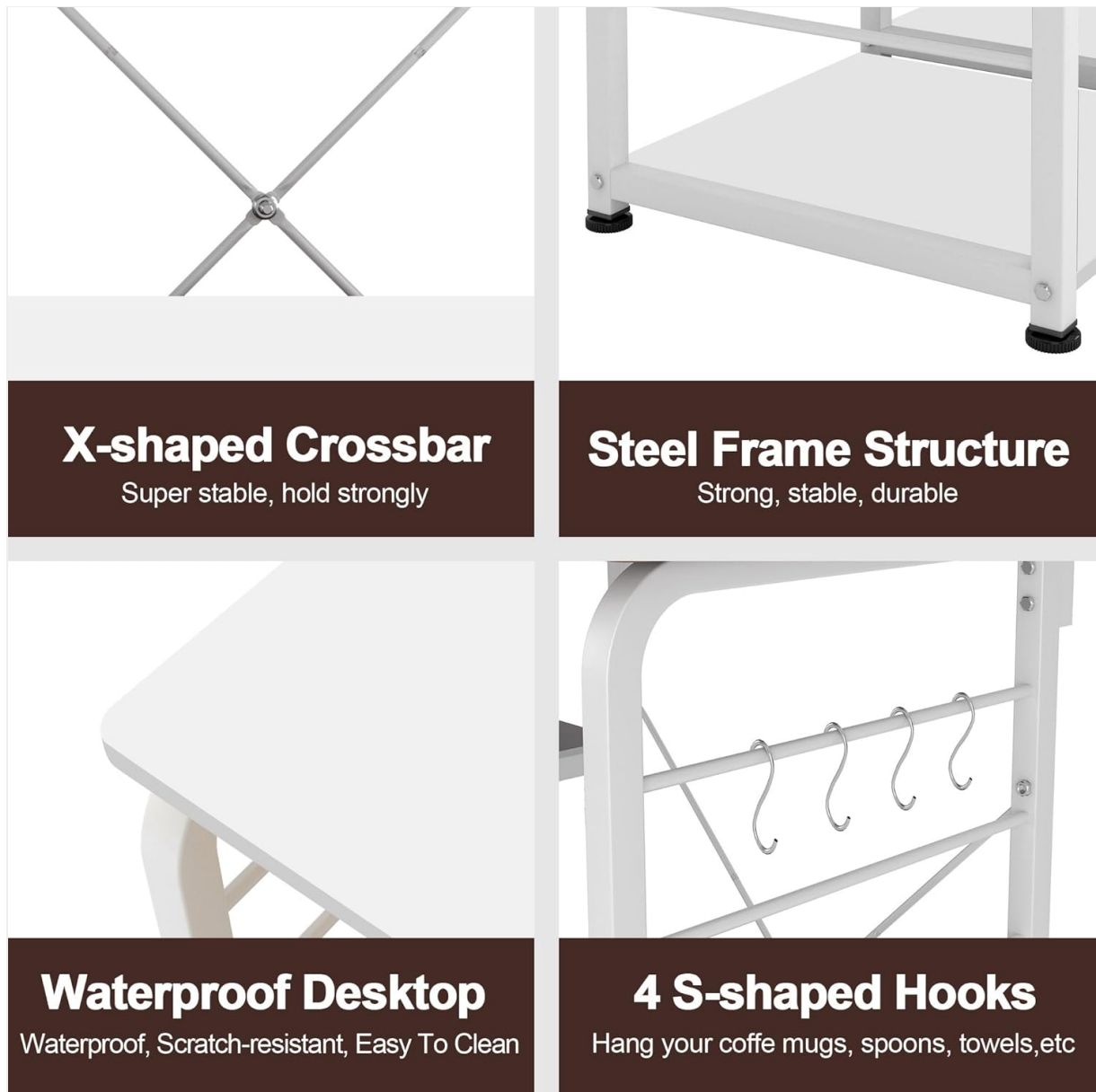


Figure 2: Key structural features including the X-shaped crossbar and adjustable foot pads.

For a visual guide on the assembly process, please refer to the video below:

Your browser does not support the video tag.

Video 1: Assembly and overview of the soges Kitchen Standing Baker's Rack.

## Operating Instructions

The soges Kitchen Standing Baker's Rack offers versatile storage options for your kitchen. Utilize the five-tier shelves to organize various items:

- **Top Shelf:** Ideal for placing larger kitchen appliances such as a microwave oven or a coffee maker.
- **Lower Shelves:** Suitable for storing toasters, spices, dishes, cookbooks, and other kitchen essentials.
- **Pull-out Wire Basket:** Provides convenient storage for smaller items or produce.
- **S-shaped Hooks:** Attach these removable hooks to the side bars to hang cooking tools like spoons, pans, or whisks, keeping them within easy reach.



Figure 3: Example setup of the baker's rack with various kitchen appliances and storage.



Wine Bottles



Spice Bottles



Coffee Machine



Toaster



Microwave Oven



Cookware

## Super Storage

Easily Store Spice Jars, Fruits And Vegetables,  
Snacks And Appliances

Figure 4: Visual representation of items that can be stored on the rack.

Observe the rack in use and its capacity for various items in the video below:

Your browser does not support the video tag.

Video 2: Demonstration of the multi-layer storage cart's functionality and capacity.

## Maintenance

To maintain the appearance and longevity of your baker's rack, follow these simple care instructions:

- **Cleaning:** Wipe the surfaces with a dry cloth. For stubborn spots, a slightly damp cloth can be used, followed immediately by a dry cloth to prevent moisture damage.
- **Avoid Harsh Chemicals:** Do not use abrasive cleaners or harsh chemicals, as these can damage the high-gloss finish of the wood panels.
- **Regular Checks:** Periodically check all screws and connections to ensure they remain tight and secure.

## Troubleshooting

If you encounter any issues with your soges Kitchen Standing Baker's Rack, consider the following:

- **Instability/Wobbling:** Ensure all screws are tightened. Adjust the foot pads on the bottom of the rack to compensate for uneven flooring.
- **Missing Parts:** Double-check the packaging and compare with the parts list. If parts are genuinely missing, contact customer service.
- **Difficulty Assembling:** Re-read the assembly instructions carefully. Ensure components are oriented correctly. Do not force parts together.

## Specifications

<b>Brand</b>	soges
<b>Model Name</b>	10CZWK171-WH
<b>Material</b>	Engineered Wood, Metal
<b>Color</b>	White
<b>Product Dimensions (D x W x H)</b>	15.4"D x 32.3"W x 32.69"H
<b>Item Weight</b>	27.1 Pounds
<b>Number of Shelves</b>	5
<b>Mounting Type</b>	Floor Mount
<b>Special Feature</b>	Space Saving, Adjustable Feet
<b>Furniture Finish</b>	High-gloss

## Warranty and Support

soges is committed to providing high-quality products and excellent customer service. For any questions, concerns, or assistance with your product, please do not hesitate to contact our customer support team. Refer to your purchase documentation for specific warranty details and contact information.