



[Manuals.plus](#) /

> [Hikity](#) /

> Hikity 5.1 Inch Single Din Car Stereo User Manual

Hikity 631d12f3-dda9-4b62-8836-503d181e12a1

Hikity 5.1 Inch Single Din Car Stereo User Manual

Model: 631d12f3-dda9-4b62-8836-503d181e12a1

1. INTRODUCTION

This manual provides detailed instructions for the installation, operation, and maintenance of your Hikity 5.1 Inch Single Din Car Stereo. Please read this manual thoroughly before using the product to ensure proper function and safety. This car stereo features a 5.1-inch touch screen, Wireless Apple CarPlay, Android Auto, Bluetooth connectivity, AM/FM radio, Mirror Link functionality, and supports a backup camera.



Figure 1.1: Hikity 5.1 Inch Single Din Car Stereo and included components.

2. PRODUCT OVERVIEW AND FEATURES

The Hikity 5.1 Inch Single Din Car Stereo is designed to enhance your in-car entertainment and connectivity. Key features include:

- **5.1 Inch Touch Screen:** High-resolution display (1120*480) supporting 1080P video playback.
- **Wireless and Wired Apple CarPlay & Android Auto:** Seamless smartphone integration for navigation, music, and calls.
- **Voice Control:** Activate Siri or Google Assistant for hands-free operation.
- **Phone Mirror Link:** Display your smartphone screen content directly on the car stereo (Note: Huawei and Samsung phones not supported).
- **Bluetooth 4.2:** For hands-free calling and wireless audio streaming.
- **EQ Settings:** Customizable equalizer with noise reduction and bass enhancement.
- **AM/FM/RDS Radio:** Built-in tuner with 18 preset stations for news, traffic, and music.
- **Steering Wheel Control (SWC):** Compatible with existing steering wheel controls for convenient operation.
- **Backup Camera Support:** Includes an HD night vision, waterproof, 170° wide-angle backup camera with automatic display switching.
- **Dual USB Ports:** One for media playback, one for fast phone charging.
- **Multiple Inputs:** AUX-in, TF card slot, RAC-out port.
- **Seven Color Backlight:** Customizable button illumination.

2.1 What's in the Box

Verify that all items are present upon unboxing:

- Single Din Car Stereo Unit
- Power Cable
- Horn Cable
- Remote Control
- Steering Wheel Control Remote
- Backup Camera
- User Manual
- External Microphone
- Mounting Accessories

Product Size & Packing List



188MM



177MM

57MM

- | | |
|---------------|------------|
| 1.Power Cable | 8.CVBSIN |
| 2.Horn Cable | 9.SW |
| 3.V-OUTI | 10.R-OUT |
| 4.MIC | 11.ANT |
| 5.CAMIN | 12.D-BUS |
| 6.AVI | 13.USB DVR |
| 7.L-OUT | |



Power Cable



Horn Cable



Microphone



Remote Control



SWC



Accessories



User Manual



Rear Camera

Figure 2.1: Product dimensions and included accessories.

3. SETUP AND INSTALLATION

Professional installation is recommended. Ensure the vehicle's battery is disconnected before beginning installation

to prevent electrical damage.

3.1 Wiring Diagram

Refer to the following diagram for proper wiring connections. Incorrect wiring can damage the unit or vehicle electrical system.

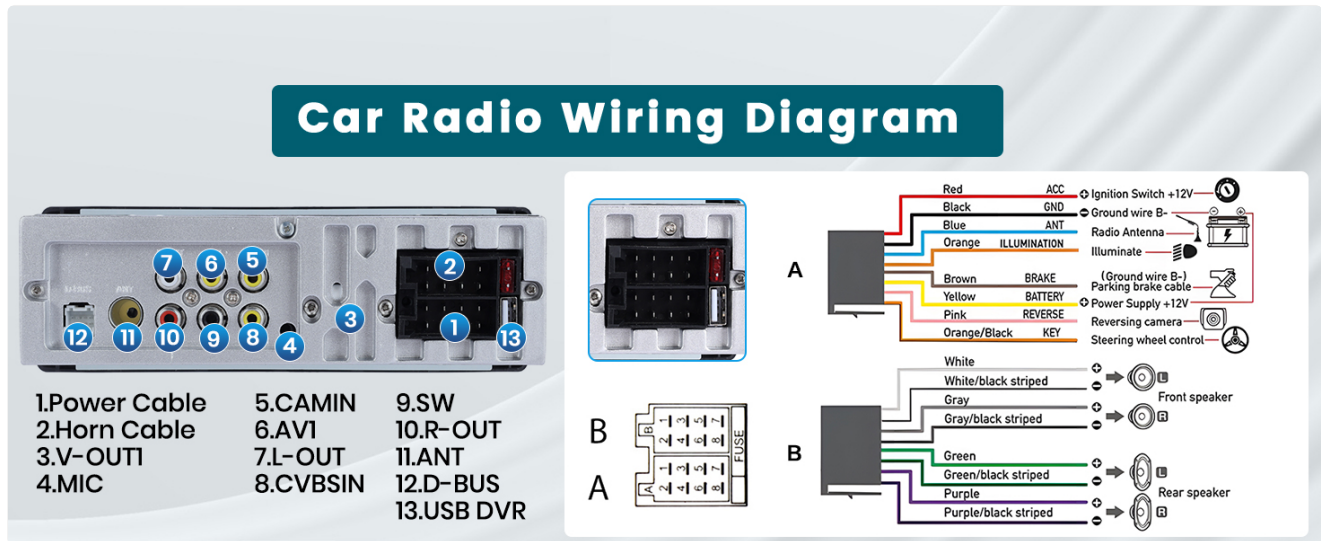


Figure 3.1: Car Radio Wiring Diagram. This diagram illustrates the connections for the power cable, horn cable, 3V-OUT1, microphone, CAMIN, AV1, L-OUT, CVBSIN, SW, R-OUT, ANT, D-BUS, and USB DVR. It also shows the standard ISO connector pinout for power and speaker connections.

- **Power Cable:** Connect to vehicle's power supply (ACC, B+, GND).
- **Horn Cable:** Connect to vehicle's horn system if applicable.
- **Microphone (MIC):** Connect the external microphone for hands-free calls.
- **CAMIN:** Connect the backup camera video input.
- **SW (Steering Wheel Control):** Connect to vehicle's steering wheel control wires.
- **ANT:** Connect to the vehicle's antenna.
- **USB DVR:** Connect to a USB Digital Video Recorder if desired.
- **Audio Outputs (R-OUT, L-OUT, 3V-OUT1):** For connecting to external amplifiers or speakers.

3.2 Backup Camera Connection

The included backup camera provides a clear view when reversing. Follow these steps for connection:

1. Connect the camera's video output (yellow RCA) to the CAMIN input on the stereo.
2. Connect the camera's red power wire to the vehicle's reversing lamp power (+12V).
3. Connect the camera's black ground wire to a suitable ground point (GND).
4. Ensure the stereo's reverse trigger wire (usually pink/brown) is connected to the reversing lamp signal.

HD Backup Camera

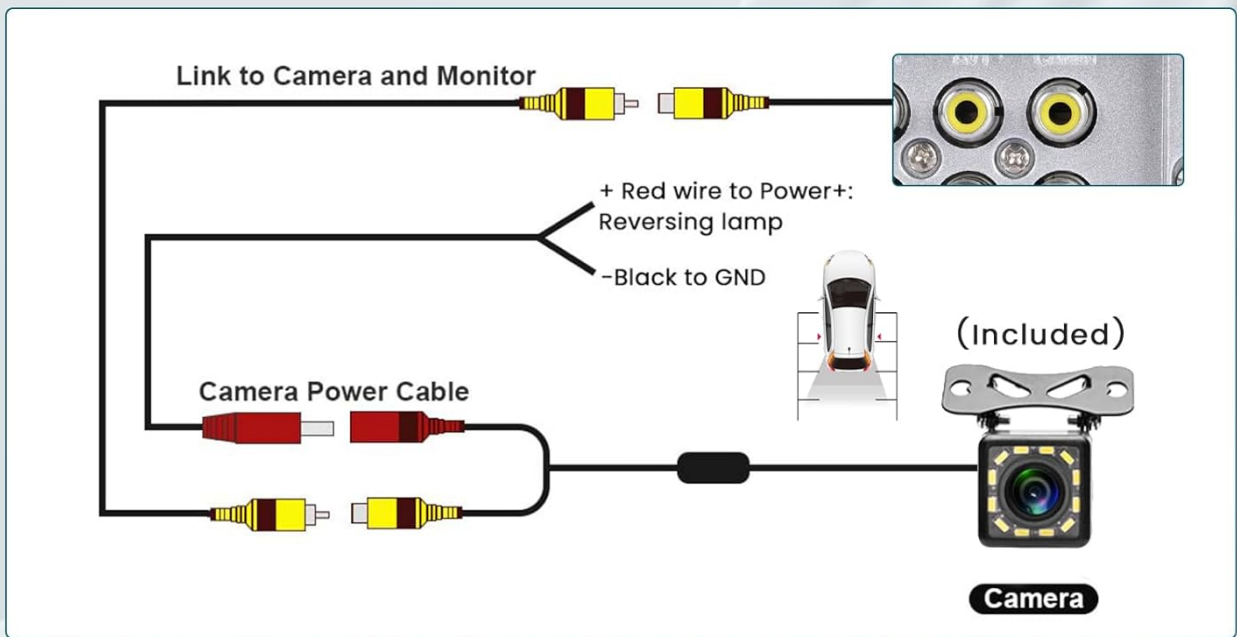
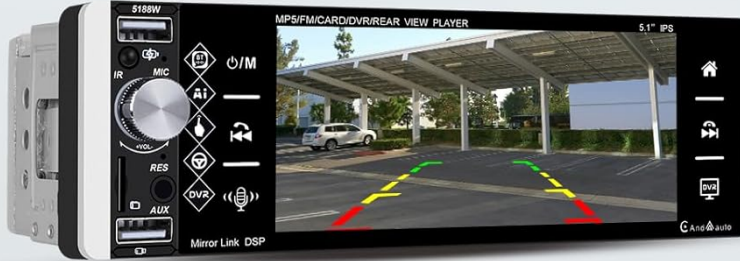


Figure 3.2: Reversing Camera Connection Method. This diagram illustrates the camera connecting to the stereo's video input, with the camera's power connected to the reversing lamp and ground.

Reversing Camera Connection Method



Figure 3.3: Visual representation of the reversing camera connection and its display on the car stereo.

4. OPERATING INSTRUCTIONS

4.1 Wireless/Wired Apple CarPlay & Android Auto

Connect your smartphone to the car stereo for access to navigation, music, and communication apps. This unit supports both wireless and wired connections.

1. **Wireless Connection:** Enable Bluetooth on your smartphone and pair it with the car stereo. Follow the on-screen prompts to initiate CarPlay or Android Auto.
2. **Wired Connection:** Connect your smartphone to the car stereo using an original USB data cable. The system should automatically detect and launch CarPlay or Android Auto.

Voice control is available by saying "Hey Siri" for Apple CarPlay or "OK Google" for Android Auto.



Figure 4.1: Apple CarPlay and Android Auto interfaces with voice control examples.

Wireless/Wired CarPlay / Android Auto



Figure 4.2: Wireless/Wired Apple CarPlay and Android Auto functionality.

4.2 Phone Mirror Link Function

The Mirror Link function allows you to display your smartphone's screen directly on the car stereo. This feature is compatible with most iOS and Android phones, but Huawei and Samsung phones are not supported.

1. Connect your iOS or Android phone to the car stereo via a USB data cable.
2. Select the "Mirror Link" option on the car stereo.
3. The phone's screen content will be displayed. Rotating your phone will adjust the display to full screen.

Mirror Link For iOS/Android

Support Android/ Iphone Mirror Link, you can cast your mobile phone screen to the car radio screen through the USB cable.



Figure 4.3: Mirror Link connection for iOS and Android phones.

Upgrade Mirror Link For IOS/Android



Figure 4.4: Mirror Link functionality displaying smartphone content.

4.3 Bluetooth 4.2

The Bluetooth 4.2 module enables hands-free calling and wireless music streaming.

1. Enable Bluetooth on your phone and search for available devices.
2. Select "Hikity Car Stereo" (or similar name) from the list and pair.
3. Once connected, you can make/receive calls and play audio wirelessly.

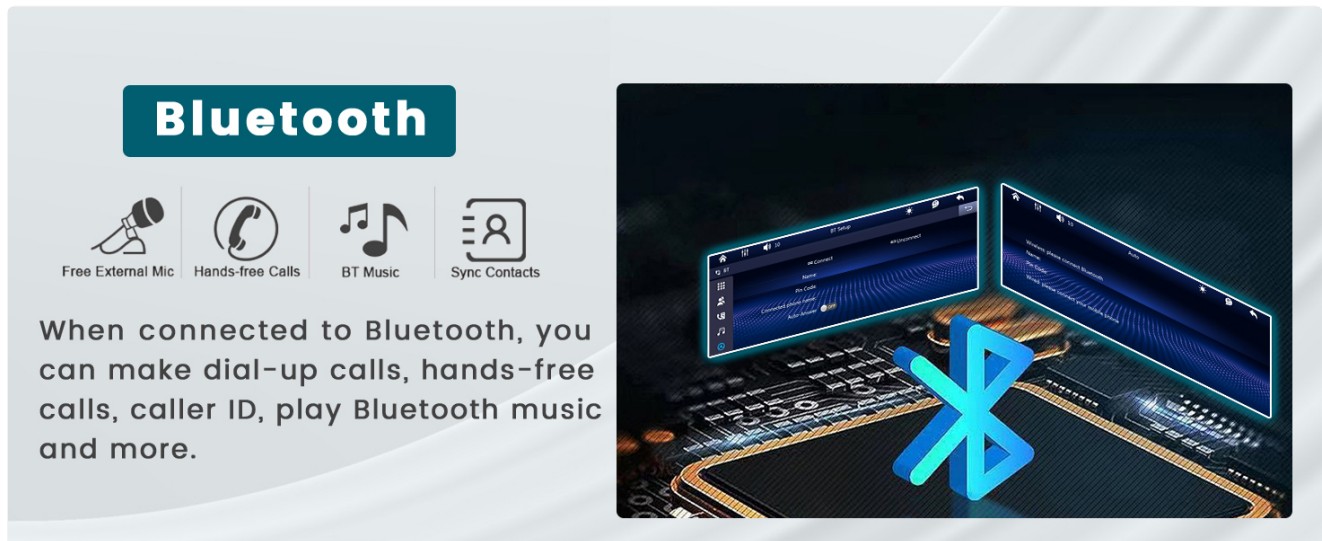


Figure 4.5: Bluetooth features and connectivity.

4.4 AM/FM/RDS Radio

Access local radio stations with the built-in AM/FM tuner. RDS (Radio Data System) provides additional information where available.

- Navigate to the Radio application on the stereo.
- Use the scan function to find available stations or manually tune to a frequency.
- Save your favorite stations to the 18 available presets.



Figure 4.6: FM Radio interface and functionality.

4.5 EQ Settings

Customize your audio experience using the multi-band equalizer.

- Access the EQ settings from the main menu.
- Adjust various frequency bands (super bass, bass, mid-range, treble) to suit your preferences.

- Pre-set EQ modes (e.g., Pop, Rock, Jazz) may also be available.

Multi-band EQ Mode

Adjust the crossover frequency for/ super bass, bass, heavy bass, mid range, mid-treble treble and super treble, so that the human voice is clear and immersive.

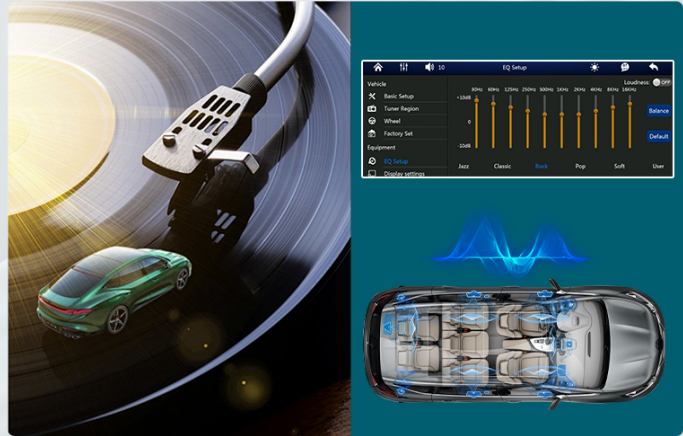


Figure 4.7: Multi-band EQ mode for audio customization.

4.6 Steering Wheel Control (SWC)

If your vehicle supports steering wheel controls, you can configure them to operate the car stereo, allowing for safer operation while driving.

1. Ensure the SWC wires are correctly connected during installation (refer to Section 3.1).
2. Access the SWC settings menu on the car stereo.
3. Follow the on-screen instructions to program each steering wheel button to its corresponding function (e.g., volume up/down, track skip, mode change).

Colorful Backlight

Seven backlighting colours are supported, and you can choose your favourite colour to decorate your car in the settings menu.



Steering Wheel Control

You can quickly switch between the functions you want from the car's steering wheel.



Figure 4.8: Steering Wheel Control functionality and button backlight options.

Steering Wheel Control



Figure 4.9: Steering Wheel Control setup interface.

4.7 Dual USB & AUX Inputs

The unit features two USB ports and an AUX-in port for versatile media playback and charging.

- One USB port is dedicated for media playback (e.g., USB drives with music/videos).
- The second USB port provides fast charging for your mobile devices.
- The AUX-in port allows connection of external audio devices using a 3.5mm audio cable.



Figure 4.10: Dual USB and AUX input locations and functions.

5. MAINTENANCE

To ensure the longevity and optimal performance of your Hikity car stereo, follow these maintenance guidelines:

- **Cleaning the Screen:** Use a soft, lint-free cloth to gently wipe the touch screen. Avoid abrasive cleaners or solvents that could damage the display.
- **General Cleaning:** Keep the unit free from dust and debris. Use a soft, dry cloth for exterior cleaning.
- **Avoid Liquids:** Do not expose the unit to excessive moisture or liquids.
- **Temperature:** Operate the unit within recommended temperature ranges. Extreme temperatures can affect performance and lifespan.
- **Software Updates:** Check the manufacturer's website periodically for any available firmware updates to improve performance and add features.

6. TROUBLESHOOTING

If you encounter issues with your car stereo, refer to the following common problems and solutions:

Problem	Possible Cause	Solution
No power / Unit does not turn on	Incorrect wiring; Blown fuse; Loose power connection.	Check power cable connections (ACC, B+, GND). Verify vehicle fuses and the unit's fuse. Ensure connections are secure.
No sound	Speaker wires disconnected; Volume too low; Mute function active; Incorrect audio source.	Check speaker wiring. Increase volume. Deactivate mute. Select correct audio source (e.g., FM, Bluetooth, USB).

Problem	Possible Cause	Solution
Bluetooth not connecting	Bluetooth not enabled on phone/stereo; Incorrect pairing process; Interference.	Ensure Bluetooth is active on both devices. Delete previous pairings and re-pair. Move closer to the unit.
CarPlay/Android Auto not launching	Incorrect USB cable; Phone not supported (Huawei/Samsung for Mirror Link); Software issue.	Use an original USB data cable. Ensure your phone model is supported. Restart both phone and stereo.
Backup camera not displaying	Camera wiring incorrect; Reverse trigger wire not connected; Faulty camera.	Verify camera power and video connections. Check the reverse trigger wire connection. Test with another camera if possible.
Steering Wheel Controls not working	SWC wires not connected; Incorrect programming.	Ensure SWC wires are correctly connected. Re-program the SWC buttons in the settings menu.

If the problem persists after attempting these solutions, please contact Hikity customer support for further assistance.

7. SPECIFICATIONS

Detailed technical specifications for the Hikity 5.1 Inch Single Din Car Stereo:

- **Product Dimensions:** 1.9 x 3.6 x 6.9 inches
- **Item Weight:** 1.8 pounds
- **Model Number:** 631d12f3-dda9-4b62-8836-503d181e12a1
- **Connectivity Technology:** RCA, Bluetooth, Auxiliary, USB, TF
- **Controller Type:** Android, iOS
- **Compatible Devices:** Amplifier, Smartphone, Speaker
- **Connector Type:** RCA
- **Audio Output Mode:** APE/FLAC/WAV/MP3/WMA etc.
- **Surround Sound Channel Configuration:** 3
- **Video Encoding:** MKV/RMVB/AVI/MP4/MDV etc.
- **Color:** Black
- **Manufacturer:** Hikity
- **Date First Available:** June 30, 2022

Product Size & Packing List

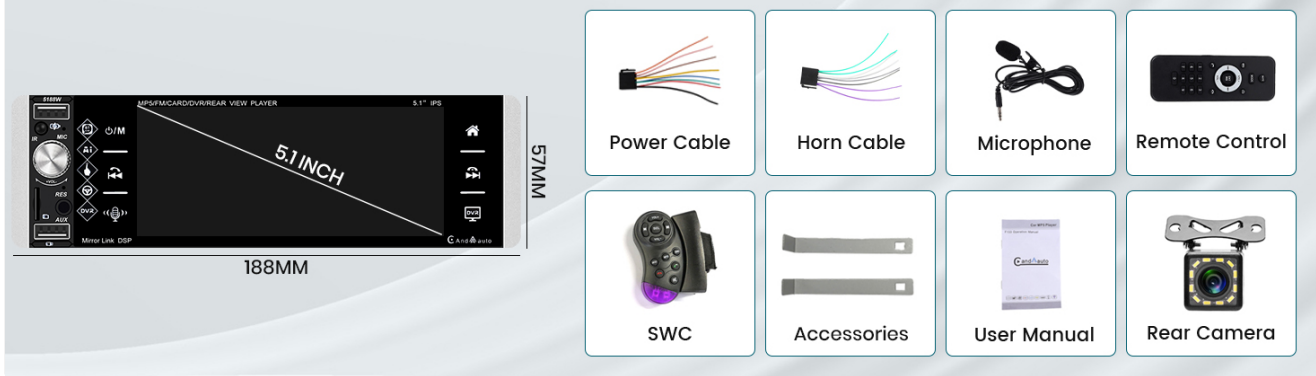


Figure 7.1: Product dimensions and packing list overview.

8. WARRANTY AND SUPPORT

Hikity provides comprehensive support for its products.

- **Warranty:** The product typically includes a 2-year replacement warranty.
- **Return Policy:** A 30-day money-back guarantee is usually offered.
- **Technical Support:** Lifetime technical support is available. For installation or usage issues, contact Hikity Flagship Store. Responses are typically provided within 24 hours.
- **Contact Information:** You can reach support via the product page on Amazon or by emailing hikityoffice@163.com.



Figure 8.1: Hikity Brand Logo.