

[Manuals.plus](#) /

> [LUMISOL](#) /

> LUMISOL 89" Convertible Sleeper Sofa Bed Instruction Manual

LUMISOL 89" Convertible Sleeper Sofa Bed

LUMISOL 89" Convertible Sleeper Sofa Bed Instruction Manual

Model: 89" Convertible Sleeper Sofa Bed (Grey)

1. SAFETY INFORMATION

Please read and understand all safety instructions before assembling or using your LUMISOL Convertible Sleeper Sofa Bed. Failure to follow these instructions may result in injury or damage to the product.

- Always follow the assembly instructions carefully to avoid injury.
- Keep the sofa away from heat sources and open flames.
- Supervise children and pets around the sofa to prevent entrapment or injury.
- Do not place heavy objects on the sofa that could damage the frame or cause it to tip over.
- In case of a fire, use a fire extinguisher suitable for upholstered furniture.
- For further safety information, please refer to the installation video or contact the manufacturer.

2. PACKAGE CONTENTS

Your LUMISOL Convertible Sleeper Sofa Bed is shipped in multiple packages. Please ensure all components are present before beginning assembly. The package includes:

- Sofa sections (main sofa, chaise lounge)
- Back cushions
- Plastic feet and washers
- Wheels for pull-out section
- Connecting brackets
- Assembly hardware (screws, screwdriver)
- Instruction manual

Note: Parts may arrive in separate shipments. Please verify all boxes have been received before starting assembly.

3. SETUP AND ASSEMBLY

Assembly of the LUMISOL Convertible Sleeper Sofa Bed requires two people. All necessary tools are included. For a visual guide, please refer to the assembly video below.

Your browser does not support the video tag.

Video 3.1: LUMISOL Convertible Sofa Assembly & Feature Overview. This video demonstrates the step-by-step assembly process and highlights key features of the sofa, including the pull-out bed, storage, and cup holders.

3.1. Attaching Feet and Wheels

1. Carefully unbox all sofa components.
2. Locate the plastic feet and wheels. Remove any plastic covers from the threaded bolts on the feet.
3. Insert the plastic washers onto the threaded bolts of the feet.
4. Screw the plastic feet into the designated holes on the underside of the sofa sections.
5. For the pull-out section, attach the wheels using the provided screws and screwdriver. While there are no pilot holes, guides indicate the correct placement.

3.2. Connecting Sofa Sections

1. Position the main sofa section and the chaise lounge section next to each other in the desired L-shape configuration.
2. Align the metal connecting brackets located on the sides of each section.
3. Carefully lift and slide one section into the other, ensuring the brackets interlock securely. Assistance from another person is recommended for this step due to the weight of the sections.



Image 3.2.1: The fully assembled L-shaped sofa, demonstrating how the main sofa and chaise sections connect to form a cohesive unit.

3.3. Attaching Back Cushions

1. Locate the back cushions. Each cushion has a zipper on its underside.
2. Align the zippers on the back cushions with the corresponding zippers on the sofa base.
3. Zip the cushions securely into place.



PLUMP BACK CUSHIONS

Sink into softness and enjoy the perfect balance of comfort and style.



PLUSH SEAT

Provide superior support and coziness, making every sitting experience a luxurious one.

Image 3.3.1: A detailed view of the sofa's back and seat cushions, highlighting their plump design and how they integrate with the sofa structure.

4. OPERATING INSTRUCTIONS

4.1. Converting to Sleeper Bed

The sofa features a convenient pull-out mechanism to convert it into a bed.

1. Locate the fabric straps on the front of the main sofa section.
2. Gently pull the straps outwards and upwards to extend the hidden sleeper section. The wheels on the underside will facilitate smooth movement.
3. Once fully extended, the sleeper section will align with the seat cushions, creating a flat sleeping surface.
4. To revert to sofa mode, lift the sleeper section slightly and push it back into the sofa base until it locks into place.



Image 4.1.1: The pull-out sleeper mechanism in action, showing the hidden section being extended from the main sofa body.



Image 4.1.2: The LUMISOL sofa fully converted into a sleeper bed, providing an extended flat surface for sleeping.

4.2. Using Cup Holders

The middle backrest section can be folded down to reveal two integrated cup holders.

1. Gently pull the top of the middle backrest cushion forward and down.
2. The cushion will fold flat, exposing the two stainless steel cup holders.
3. To return the backrest to its upright position, simply push it back up until it clicks into place.



Image 4.2.1: A close-up view of the integrated cup holders, located in the fold-down middle backrest section of the sofa.

4.3. Accessing Storage Chaise

The chaise lounge section provides convenient storage space.

1. Locate the fabric loop on the front edge of the chaise cushion.
2. Pull the loop upwards to lift the chaise cushion. The cushion is supported by hinges for easy access.
3. Place or retrieve items from the storage compartment.
4. Gently lower the chaise cushion until it rests securely.



Image 4.3.1: The chaise lounge section with its top cushion lifted, revealing the spacious storage compartment underneath.

4.4. Using USB Charging Ports

The sofa includes built-in USB charging ports on one side of the armrest.

1. Ensure the sofa is connected to a power source (if applicable, though typically these are self-contained or require an external power brick not always included).
2. Plug your USB charging cable into one of the available ports.
3. Connect your mobile device to the other end of the cable to begin charging.



Image 4.4.1: A close-up of the USB charging ports integrated into the side armrest of the sofa, providing convenient power access for devices.

5. MAINTENANCE

Proper care and maintenance will extend the life of your LUMISOL Convertible Sleeper Sofa Bed.

5.1. Cleaning

- For general cleaning, wipe the upholstery with a damp cloth.
- Avoid using harsh chemicals or abrasive cleaners, as these may damage the fabric.
- For spills, blot immediately with a clean, dry cloth. Do not rub.
- Regularly vacuum the sofa to remove dust and debris.

6. TROUBLESHOOTING

If you encounter any issues with your sofa, refer to the following common solutions:

- **Sofa sections not connecting securely:** Ensure the metal brackets are properly aligned and fully engaged. You may need to lift and reseat the sections.
- **Pull-out bed mechanism is stiff:** Check for any obstructions under the pull-out section. Ensure the wheels are clean and free of debris.
- **USB ports not working:** Verify that the sofa's power cord (if applicable) is securely plugged into a working electrical outlet. Test with a different USB cable or device.
- **Cushions feel too firm/soft:** Cushion firmness can vary. Over time, cushions will adapt to use.

If the issue persists, please contact LUMISOL customer support for assistance.

7. SPECIFICATIONS

Feature	Detail
Brand	LUMISOL
Model	89" Convertible Sleeper Sofa Bed
Color	Grey
Product Dimensions (D x W x H)	59"D x 89"W x 37.5"H
Item Weight	110 Pounds
Weight Limit	660 Pounds
Seating Capacity	3.00
Upholstery Fabric Type	Polyester
Frame Material Type	Wood (durable engineered wood)
Special Features	Convertible, Cup Holder, USB Ports, Storage Chaise
Assembly Required	Yes (Recommended 2 people)
Product Care Instructions	Wipe with Damp Cloth

Unit:inch

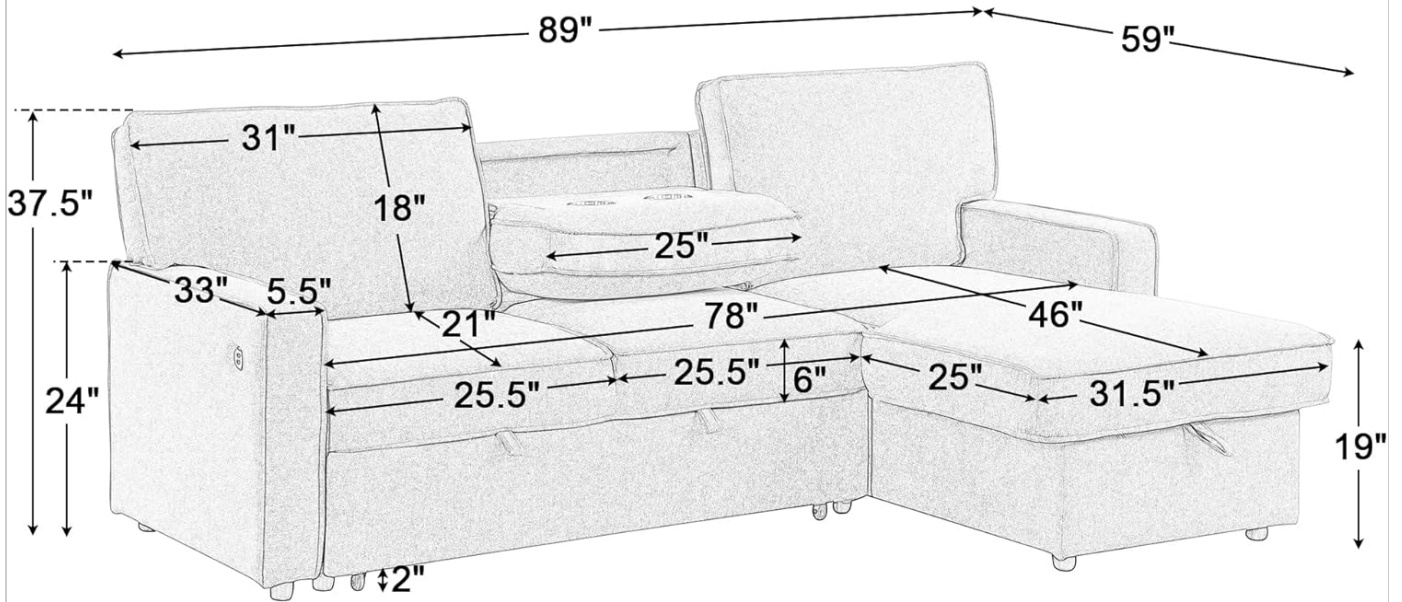


Image 7.1.1: A technical diagram illustrating the detailed dimensions of the LUMISOL 89" Convertible Sleeper Sofa Bed in inches.

8. WARRANTY AND SUPPORT

Your LUMISOL Convertible Sleeper Sofa Bed comes with a **Limited Warranty**.

For warranty claims, technical support, or any questions regarding your product, please contact LUMISOL customer service. Refer to your purchase documentation for specific contact details or visit the official LUMISOL website.

