



Manuals.plus /

› Hikity /

› Hikity 8 Core 4+64G Android 15 Car Radio for Honda Odyssey 2005-2010 User Manual

Hikity 8 Core 4+64G

Hikity 8 Core 4+64G Android 15 Car Radio User Manual

Model: 8 Core 4+64G

1. INTRODUCTION

This manual provides detailed instructions for the installation, operation, and maintenance of your Hikity 8 Core 4+64G Android 15 Car Radio. This unit is designed for compatibility with Honda Odyssey models from 2005 to 2010, offering a 10.1-inch touchscreen display with advanced features like Wireless CarPlay, Android Auto, GPS navigation, and more. Please read this manual thoroughly before installation and use to ensure proper functionality and safety.

For Honda Odyssey 2005–2010



Image: The Hikity Android Car Radio seamlessly integrated into a Honda Odyssey dashboard, demonstrating proper fitment for compatible models (2005-2010).

2. PRODUCT FEATURES

- **High-Performance System:** Equipped with an 8-core CPU, 4GB RAM, and 64GB ROM, ensuring smooth operation and ample storage for applications.
- **Display:** Features a 10.1-inch 1280x720 IPS capacitive touchscreen with ultra-wide 178° vertical and horizontal viewing angles, providing vivid and realistic images.
- **Smartphone Integration:** Supports both wireless and wired CarPlay and Android Auto for seamless connectivity with your smartphone's apps, including navigation, music, and communication.
- **Navigation & Connectivity:** Integrated GPS navigation with support for online and offline maps. Built-in WiFi for internet browsing, video streaming, and app downloads.
- **Audio Enhancement:** Pre-installed DSP tuning software with 32-band EQ equalization settings for customized audio output.
- **Bluetooth 5.0:** Enables faster transmission speeds for hands-free calls and phone book downloads.

- **Multimedia & Customization:** Supports split-screen functionality, steering wheel control, 59 customizable UI themes, and allows moving frequently used software to the home screen.
- **Safety Features:** Includes an external microphone and a waterproof AHD rear view camera for enhanced driving safety.

8 Core Powerful CPU

- Newest octa core cpu for smoother operation and faster response
- Support 5G wifi connection to download various apps at high speed



Power Chip 4+64G Smooth Operation

Image: Internal components highlighting the 8-core CPU, 4GB RAM, and 64GB ROM for efficient performance.

1280*720 IPS Touchscreen

- Ultra-wide 178° vertical & horizontal viewing angles
- 10.1 Inch 1280*720P IPS Touchscreen
- Provide vivid and realistic images
- 2.5D Tempered Glass



Split screen



HD Image



Touchscreen

WIPS



Image: The 10.1-inch 1280x720 IPS capacitive touchscreen, featuring wide viewing angles and responsive touch.

3. PACKAGE CONTENTS

The following items are included in your product package:

- 1 x Android Car Stereo
- 1 x Power Cable
- 1 x Backup Camera
- 2 x USB Adapters
- 1 x Radio Antenna
- 1 x GPS Antenna
- 1 x CAM-VIN Cable
- 1 x User Manual
- 1 x RCA Cable

- 1 x Reverse Line
- 1 x Installation Tool
- 1 x Microphone

Product Size & Package List

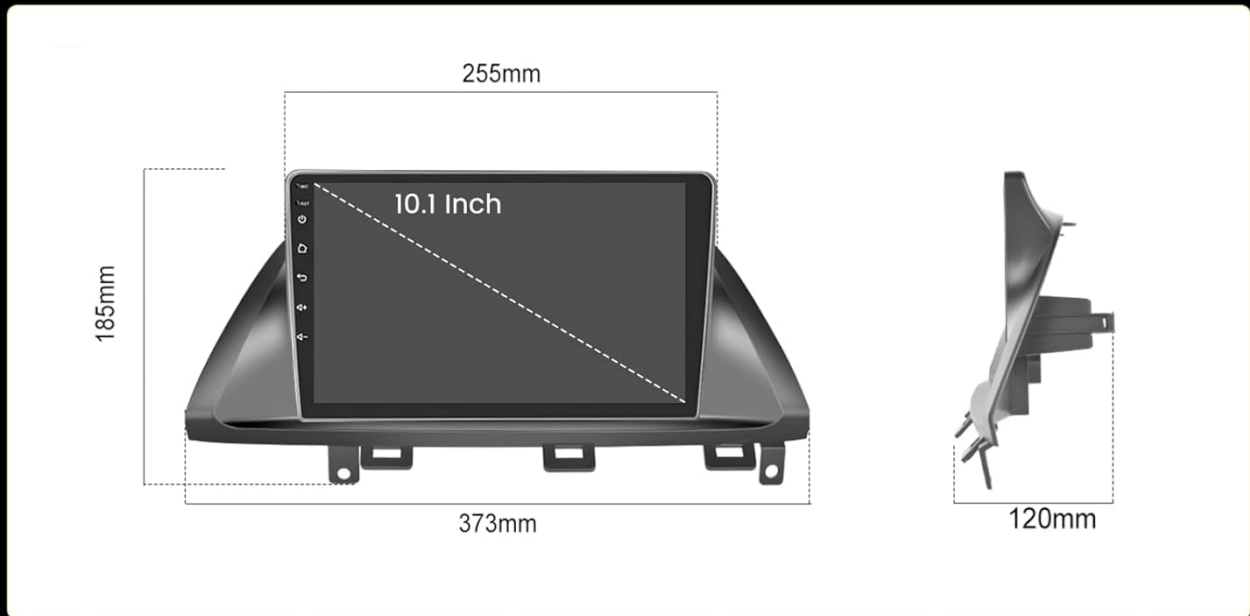


Image: Product dimensions and a comprehensive list of all included accessories.

4. INSTALLATION GUIDE

Professional installation is recommended for this car stereo unit. Ensure the vehicle's power is disconnected before beginning installation. Refer to your vehicle's specific wiring diagrams for accurate connections. The included installation tool can assist with removing existing trim panels.

4.1 Backup Camera Connection

To connect the backup camera:

1. Connect the red cable (labeled 2) to the backup light's positive (+) terminal.
2. Connect the black cable (labeled 1) to the vehicle's ground (GND).

3. Plug the yellow video cable into the CAM-VIN input on the car stereo unit.
4. Ensure the WiFi and Bluetooth signal enhancer is plugged in for optimal performance.



Image: Wiring diagram for connecting the backup camera.

5. OPERATING INSTRUCTIONS

5.1 CarPlay and Android Auto

The unit supports both wireless and wired CarPlay and Android Auto. Connect your smartphone via Bluetooth for wireless or a USB data cable for wired connection to access your phone's apps, navigation, music, and hands-free calling directly on the car stereo screen. Voice control via Siri or Google Assistant is also supported.

Your browser does not support the video tag.

Video: Demonstration of the Hikity Android Car Stereo's CarPlay and Android Auto features, including music playback, navigation, and hands-free calling.

Wireless Carplay /Android Auto /Mirror Link



Image: Wireless CarPlay, Android Auto, and Mirror Link functionality.

5.2 GPS Navigation and WiFi

Utilize the integrated GPS for navigation with both online and offline map support. Connect to WiFi or a mobile hotspot to browse the internet, stream videos, and download additional applications from the app store. The split-screen function allows simultaneous use of navigation and other apps.



Image: GPS Navigation, 5G WiFi, AHD Backup Camera, and Steering Wheel Control features.

5.3 Audio and Radio (DSP, FM/RDS)

The pre-installed DSP tuning software allows for precise audio adjustments with a 32-band EQ. The FM/RDS radio provides access to local and network radio stations, with clear reception and station information display.

Package List

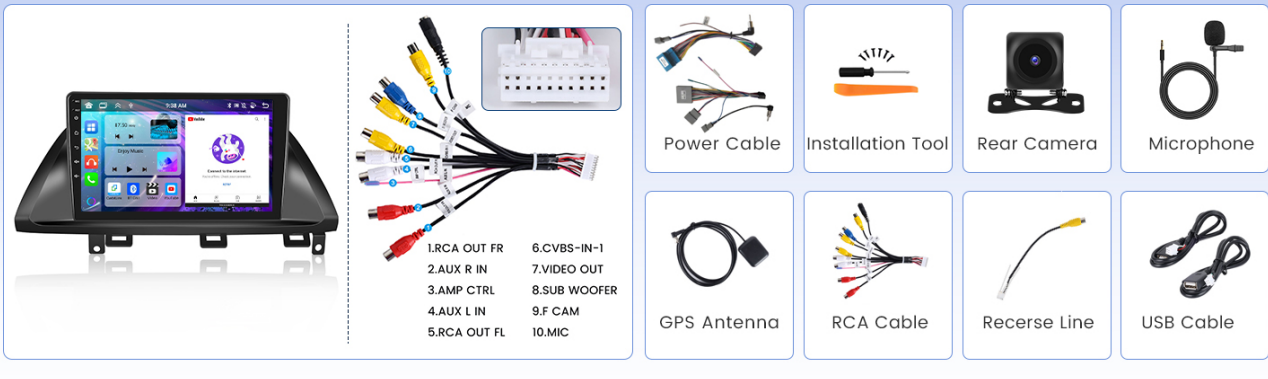


Image: FM/RDS Radio interface and 32-band DSP equalizer for audio customization.

5.4 Steering Wheel Control

The unit supports integration with your vehicle's original steering wheel controls. To configure, navigate to **Settings > Factory Set Up**, enter password **1234**, then select **Party Control Learning** or **Steering wheel learning** to map functions like volume, track skip, and call controls.

for Honda Odyssey 2005-2010

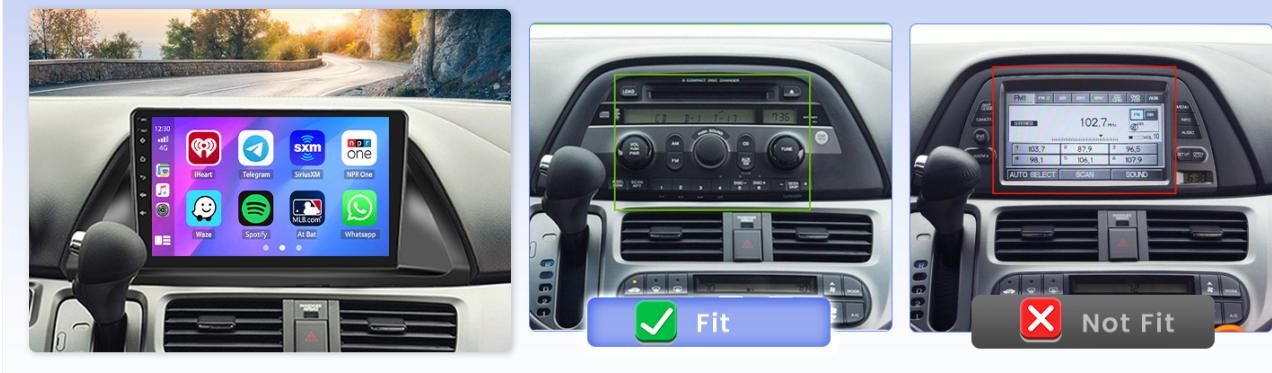


Image: Instructions for configuring original steering wheel controls.

5.5 UI Customization and Voice Assistant

Personalize your experience with 59 available UI themes and a wide selection of wallpapers. Long-press on the home screen to replace or rearrange application icons. The intelligent voice assistant allows for hands-free operation of various functions.



Image: Network Radio, Weather Forecast, and Intelligent Voice Assistant features.



Image: A selection of 59 UI desktop themes for interface customization.

6. SPECIFICATIONS

Brand	Hikity
Model Name	GPS Car Stereo
Screen Size	10.1 Inches
Resolution	1280 x 720
Operating System	Android 15 (Latest Android System)
CPU	8-Core Processor
Memory (RAM)	4 GB
Storage (ROM)	64 GB
Connectivity Technology	Bluetooth 5.0, USB, FM, AUX, Wireless, WiFi
Supported Navigation System	GPS (Worldwide Map Type)
Audio Output Mode	Stereo with 32-band EQ DSP
Human-Interface Input	Microphone, Capacitive Touchscreen
Item Dimensions (L x W x H)	14.7"L x 7.2"W x 3.1"H
Item Weight	1.43 Kilograms

7. TROUBLESHOOTING

If you encounter issues with your Hikity car radio, please refer to the following common troubleshooting steps:

- **No Power:** Ensure all power cables are securely connected and the vehicle's fuse for the radio is intact.
- **Slow Startup/Responsiveness:** While the Android system may take a moment to boot, persistent slowness could indicate too many background applications. Try closing unused apps or performing a system restart.
- **Touchscreen Unresponsive:** Check for any physical obstructions or debris on the screen. If the issue persists, a system restart may resolve it. If the problem continues, contact customer support for potential touch calibration or hardware issues.
- **No Sound:** Verify speaker connections, check volume levels on the unit and your phone (if connected via Bluetooth/CarPlay), and ensure the DSP settings are not muting output.
- **GPS Signal Issues:** Ensure the GPS antenna is properly installed and has a clear view of the sky. Check GPS settings within the unit.
- **CarPlay/Android Auto Connection Problems:** For wireless connections, ensure Bluetooth and WiFi are enabled on both the unit and your phone. For wired connections, try a different USB cable and ensure it's a data-transfer cable, not just a charging cable.
- **Backup Camera Not Displaying:** Confirm the camera's power and video signal cables are correctly connected as per the installation guide. Check the camera type settings in the unit's factory settings (password 1234) to ensure it matches your camera (CVBS or AHD).

For further assistance, please contact Hikity customer support.

8. WARRANTY AND SUPPORT

Hikity offers a 15-day money-back guarantee, 12-month replacement warranty, and lifetime technical support for this product.

Customer Support

If you have any technical or installation questions, please follow these steps to contact customer support:

1. Click on the seller name "Hikity electronic" on the product page.
2. Click the "Ask a question" button.
3. Provide detailed information, including pictures or videos of the issue, to help us assist you efficiently.

Our support team will endeavor to resolve your problem promptly.