

[Manuals.plus](#) /

› [RoyalCraft](#) /

› RoyalCraft 22-Quart Electric Roaster Oven Instruction Manual (Model ZER002DB)

## RoyalCraft ZER002DB

# RoyalCraft 22-Quart Electric Roaster Oven Instruction Manual

Model: ZER002DB

## IMPORTANT SAFEGUARDS

When using electrical appliances, basic safety precautions should always be followed to reduce the risk of fire, electric shock, and injury to persons. Read all instructions carefully before using this appliance.

- Read all instructions.
- Do not touch hot surfaces. Use handles or knobs.
- To protect against electrical shock, do not immerse cord, plugs, or the main unit in water or other liquid.
- Close supervision is necessary when any appliance is used by or near children.
- Unplug from outlet when not in use and before cleaning. Allow to cool before putting on or taking off parts.
- Do not operate any appliance with a damaged cord or plug, or after the appliance malfunctions or has been damaged in any manner. Contact customer service for examination, repair, or adjustment.
- The use of accessory attachments not recommended by the appliance manufacturer may cause injuries.
- Do not use outdoors.
- Do not let cord hang over edge of table or counter, or touch hot surfaces.
- Do not place on or near a hot gas or electric burner, or in a heated oven.
- Extreme caution must be used when moving an appliance containing hot oil or other hot liquids.
- Always attach plug to appliance first, then plug cord into the wall outlet. To disconnect, turn any control to "off", then remove plug from wall outlet.
- Do not use appliance for other than intended use.

## PRODUCT OVERVIEW

The RoyalCraft 22-Quart Electric Roaster Oven is designed for versatile cooking, including roasting, baking, broiling, slow cooking, warming, and defrosting. It features a removable pan and rack for easy cleaning, and a visible self-

basting lid for monitoring food without heat loss.

### **Components:**

- Roaster Base Unit
- Removable Roasting Pan
- Roasting Rack
- Visible Self-Basting Lid



**Figure 1:** Exploded view of the RoyalCraft 22-Quart Electric Roaster Oven showing the lid, removable roasting pan, and main heating unit.

## SETUP AND BEFORE FIRST USE

---

## Unpacking:

1. Carefully remove all packaging materials and components from the box.
2. Retain packaging for future storage or transport.
3. Inspect the appliance for any damage. Do not use if damaged.

## Initial Cleaning:

1. Wash the removable roasting pan and roasting rack in warm, soapy water. Rinse thoroughly and dry completely.
2. Wipe the exterior of the roaster base unit and the lid with a damp cloth. Do not immerse the base unit in water.

## First Use Preparation:

1. Place the roaster oven on a stable, heat-resistant surface, away from walls and other appliances to allow for proper ventilation.
2. Insert the clean roasting pan into the base unit.
3. Place the roasting rack inside the removable pan.
4. For the first use, it is recommended to operate the empty roaster oven for approximately 30 minutes at 350°F (175°C) to burn off any manufacturing residues. A slight odor or smoke may be present; this is normal. Ensure the area is well-ventilated.
5. Allow the unit to cool completely after this initial burn-off before proceeding with cooking.

---

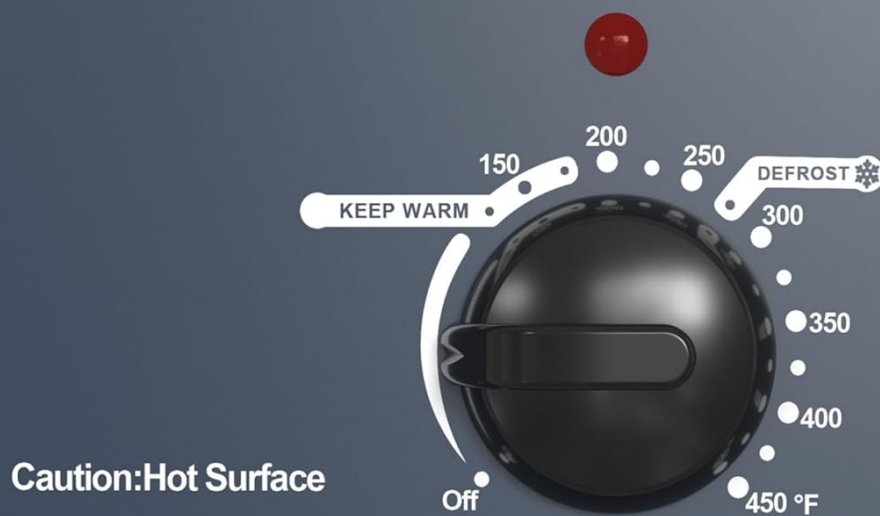
## OPERATING INSTRUCTIONS

### Temperature Control:

The roaster oven features a control knob for precise temperature adjustments. The available settings are:

- **OFF:** Turns the appliance off.
- **KEEP WARM:** Maintains a low temperature to keep cooked food warm without further cooking.
- **DEFROST:** A specific setting designed for thawing frozen items.
- **150°F - 450°F:** A full range of temperatures for various cooking methods.

# Defrost and Warm Function



Thawing Turkey



Warm Turkey



**Figure 2:** Close-up of the control knob with settings for "Keep Warm", "Defrost", and temperature range from 150°F to 450°F, alongside images of a turkey being thawed and a cooked turkey being kept warm.

## Cooking Functions:

This versatile roaster oven supports multiple cooking applications:

- **Roasting:** Ideal for large cuts of meat like turkey, chicken, or roasts. The self-basting lid helps keep food moist.
- **Baking:** Suitable for casseroles, breads, and desserts.
- **Broiling:** Can be used for browning or crisping the top layer of food.
- **Slow Cooking:** Perfect for stews, chili, and other dishes requiring long, low-temperature cooking.
- **Food Warmer/Buffer Server:** Use the 'KEEP WARM' setting to serve food at an optimal temperature for extended periods.
- **Defrosting:** The dedicated 'DEFROST' setting assists in safely thawing frozen foods.

# Say NO to Dry Turkey

Get a Crispy Skin and Juicy Meat



AIR CYCLE  
HEATING



VISUALIZATION  
TOP



150-450°F  
ADJUSTABLE TEMP



**Figure 3:** Close-up of the roaster oven lid with a transparent window, highlighting features like air cycle heating, visualization top, and 150-450°F adjustable temperature.

# Visible Top

Avoid Temperature Loss From Opening

New



✓ Transparent Top

✓ Observable

✓ Convenience

Old



✗ Transparent Top

✗ Observable

✗ Convenience

**Figure 4:** Comparison image showing a "New" roaster lid with a transparent top versus an "Old" opaque lid, emphasizing the benefit of the visible top for monitoring food.

# Temperature Lock Inside



**Figure 5:** Diagram illustrating heat circulation within the roaster oven, showing arrows indicating temperature being locked inside and distributed evenly for efficient cooking.

## CARE AND CLEANING (MAINTENANCE)

Proper care and cleaning will ensure the longevity and optimal performance of your RoyalCraft Electric Roaster Oven.

1. **Always unplug the appliance** from the electrical outlet and allow it to cool completely before cleaning.
2. **Removable Roasting Pan and Rack:** These components are dishwasher safe or can be washed by hand in warm, soapy water. Use a non-abrasive sponge or cloth to avoid damaging the non-stick surface. Rinse thoroughly and dry completely before storing or reassembling.
3. **Lid:** The lid can be washed in warm, soapy water. For the visible window, use a soft cloth to avoid scratching. Rinse and dry thoroughly.
4. **Roaster Base Unit:** Wipe the exterior of the base unit with a damp cloth. Do not use abrasive cleaners or scouring pads. **Never immerse the base unit in water or any other liquid.**
5. Ensure all parts are dry before storing the appliance.

## TROUBLESHOOTING

If you encounter issues with your roaster oven, refer to the following common problems and solutions:

Problem	Possible Cause	Solution
Appliance does not turn on or heat.	Not plugged in; power outlet malfunction; control knob not set.	Ensure the power cord is securely plugged into a working electrical outlet. Check if the control knob is turned to a temperature setting (not 'OFF').
Food is cooking unevenly.	Lid not properly sealed; incorrect temperature setting; overcrowding.	Ensure the lid is seated correctly. Verify the temperature setting is appropriate for the food. Avoid overcrowding the roasting pan; cook in batches if necessary.
Food is sticking to the pan.	Insufficient oil/liquid; pan not properly seasoned (if applicable); non-stick coating wear.	Use cooking spray or a small amount of oil. Ensure adequate liquid for moist cooking. If non-stick coating is worn, consider replacing the pan.
Smoke or unusual odor during operation.	Food spills; initial burn-off residue; excessive grease.	If it's the first use, a slight odor is normal. For subsequent uses, check for food spills or grease accumulation on heating elements or exterior. Clean thoroughly once cooled.

## SPECIFICATIONS

Detailed specifications for the RoyalCraft 22-Quart Electric Roaster Oven (Model ZER002DB):

Feature	Detail
Brand	RoyalCraft
Model Name	Electric Roaster
Item Model Number	ZER002DB
Capacity	22 quarts
Color	Blue
Product Dimensions	23"D x 15"W x 14"H
Item Weight	18.5 pounds
Control Type	Knob
Temperature Range	150°F - 450°F
Special Feature	Manual Control, Visible Self-Basting Lid
Included Components	Lid, Removable Pan, Roasting Rack
Power Source	AC

Feature	Detail
Material	Stainless Steel (Door Material Type)

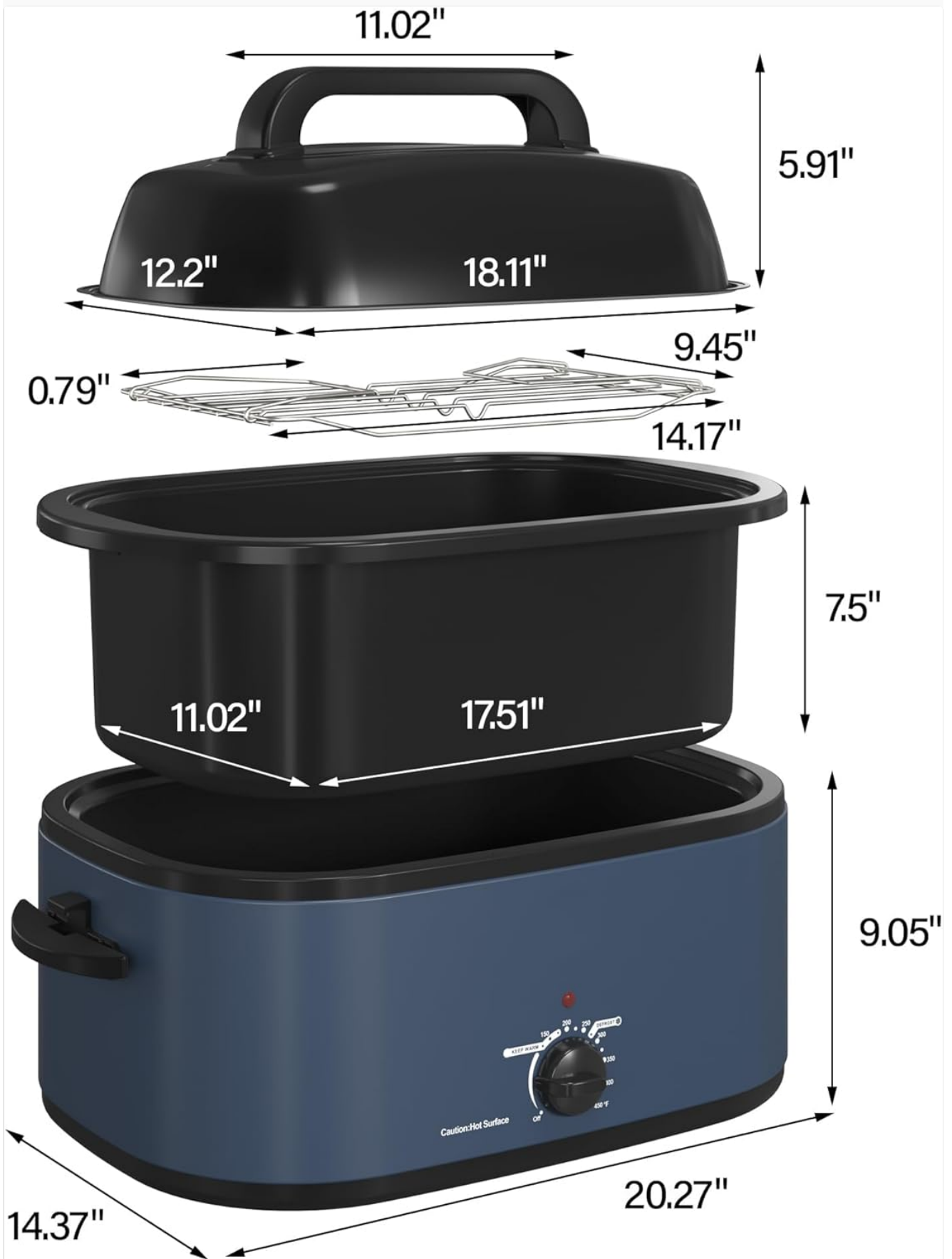


Figure 6: Image showing the dimensions of the RoyalCraft 22-Quart Electric Roaster Oven components: lid, roasting rack, removable pan, and main unit.

## WARRANTY AND SUPPORT

---

RoyalCraft products are manufactured to high-quality standards. For information regarding product warranty, returns, or technical support, please refer to the documentation included with your purchase or visit the official RoyalCraft website.

For any issues not covered in this manual, please contact RoyalCraft customer service. Keep your purchase receipt for warranty claims.

**Online Support:** Visit the RoyalCraft official website for FAQs and support resources.

**Contact Information:** Refer to your product packaging or the RoyalCraft website for the most current customer service contact details.