

Manuals+

[Q & A](#) | [Deep Search](#) | [Upload](#)

manuals.plus /

- › [ULTRARM](#) /
- › [ULTRARM MA20P-A Heavy Duty Extension Arm Instruction Manual](#)

ULTRARM MA20P-A

ULTRARM MA20P-A Heavy Duty Extension Arm User Manual

Model: MA20P-A

PRODUCT OVERVIEW

The ULTRARM MA20P-A Heavy Duty Extension Arm is an accessory designed to expand the capabilities of your existing ULTRARM MA20P-S Single Monitor Arm. This extension arm allows for advanced monitor configurations, including vertical stacking of large ultra-wide displays or integration into multi-monitor setups. It features a robust design with a pneumatic spring system for smooth and stable adjustments.



Image: The ULTRARM MA20P-A Heavy Duty Extension Arm shown with its packaging, illustrating its design and purpose as an add-on component for monitor mounting systems.

IMPORTANT NOTICE: This product is an accessory only. It requires the ULTRARM MA20P-S Single Monitor Arm for proper use. The mounting base and pole are NOT included with this extension arm.

SETUP AND INSTALLATION

Before beginning installation, ensure you have the ULTRARM MA20P-S Single Monitor Arm already set up. This extension arm integrates directly with the MA20P-S system.

Compatibility

- **Screen Size:** Supports monitors from 17 inches up to 57 inches.
- **Weight Capacity:** Holds one screen weighing up to 44 lbs (20 kg).
- **VESA Compatibility:** Features a quick-release VESA bracket with 75x75mm and 100x100mm mounting capabilities.
- **Screw Set:** M4 and M5 screws are included in the package for VESA mounting.
- **Special Note for Samsung G9 Monitors:** For Samsung G9 monitors, please use the VESA adapter that comes with your monitor.

Configuration Examples

⚠ IMPORTANT NOTICE ⚠

Mounting Base And Pole Are Not Included In This Product.



Dual Monitor Arm



MA20P-S + MA20P-A



Triple Monitor Arm



MA20P-S + 2 of MA20P-A

⚠ IMPORTANT NOTICE ⚠

Mounting Base And Pole Are Not Included In This Product.

Image: An illustration demonstrating how the MA20P-A extension arm can be combined with the MA20P-S single arm to create dual

or triple monitor setups. Note that the base and pole are separate components.

The modular design allows for various configurations:

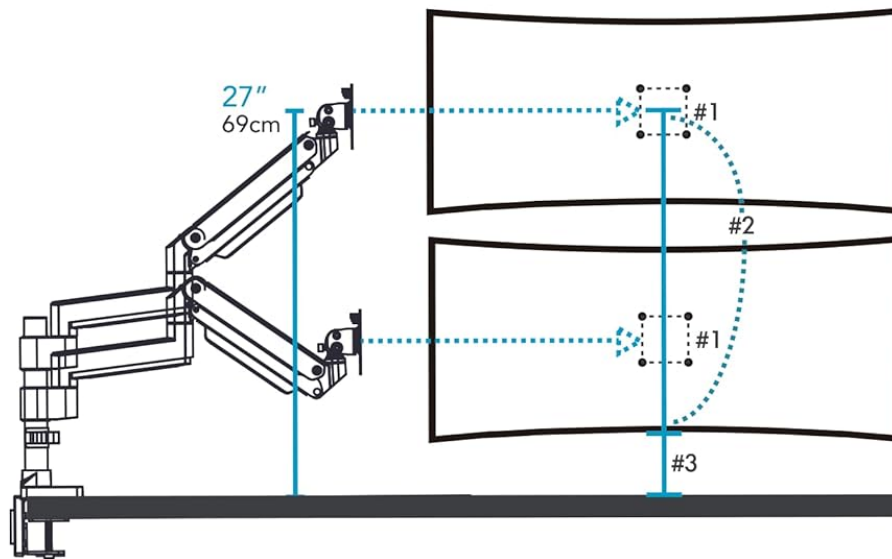
- **Dual Monitor Mount:** Combine one MA20P-S Single Monitor Arm with one MA20P-A Extension Arm. This setup can accommodate two 49-inch ultrawide monitors stacked vertically.
- **Triple Monitor Mount:** Combine one MA20P-S Single Monitor Arm with two MA20P-A Extension Arms. This allows for two stacked monitors and an additional sideways monitor.

Installation Diagrams

Advanced Assessment

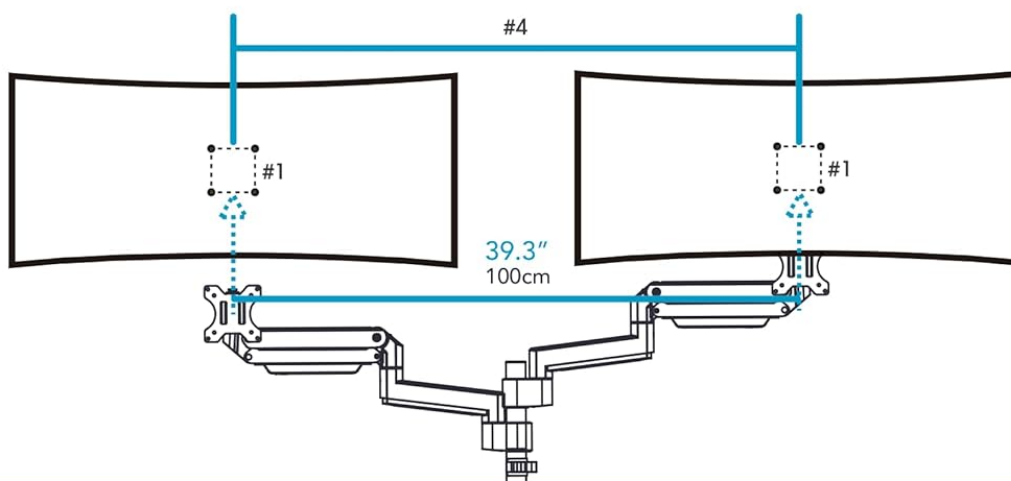
Calculation of height when arranging vertically: $27''(69\text{cm}) - \#2 - \#3 > 0$

- #1 VESA mounting location on the back of the screen.
- #2 Required height for dual screens arranged vertically.
- #3 Reserved height from the lower screen to the desktop.



Calculation of width when arranging horizontal: $39.3''(100\text{cm}) > \#4$

- #4 Distance between the VESA mounts of the two screens.



Please include the screen frame in the calculation.

Image: Detailed diagrams providing calculations for height and width when arranging monitors vertically and horizontally, aiding in precise setup planning.

For detailed step-by-step installation instructions, please refer to the official Installation Manual (PDF) available for download from the product page or by searching for 'ULTRARM MA20P-A Installation Manual' online.

OPERATING THE MONITOR ARM

The ULTRARM MA20P-A extension arm provides extensive adjustability to optimize your viewing experience and workspace ergonomics.

Adjustability Features

- **Tilt:** Adjust your monitor from +25 to -25 degrees to reduce glare and find the perfect viewing angle.
- **Swivel:** Swivel the monitor 180 degrees for collaborative work or to easily share your screen.
- **Rotation:** Rotate your monitor 180 degrees to switch between landscape and portrait orientations.
- **Height Adjustment:** Enjoy 13 inches of smooth height adjustment thanks to the integrated gas spring lift system.

⚠ IMPORTANT NOTICE ⚠

Mounting Base And Pole Are Not Included In This Product.

Freedom to Move

Dual Monitor Arm for Simultaneous Layout Variety

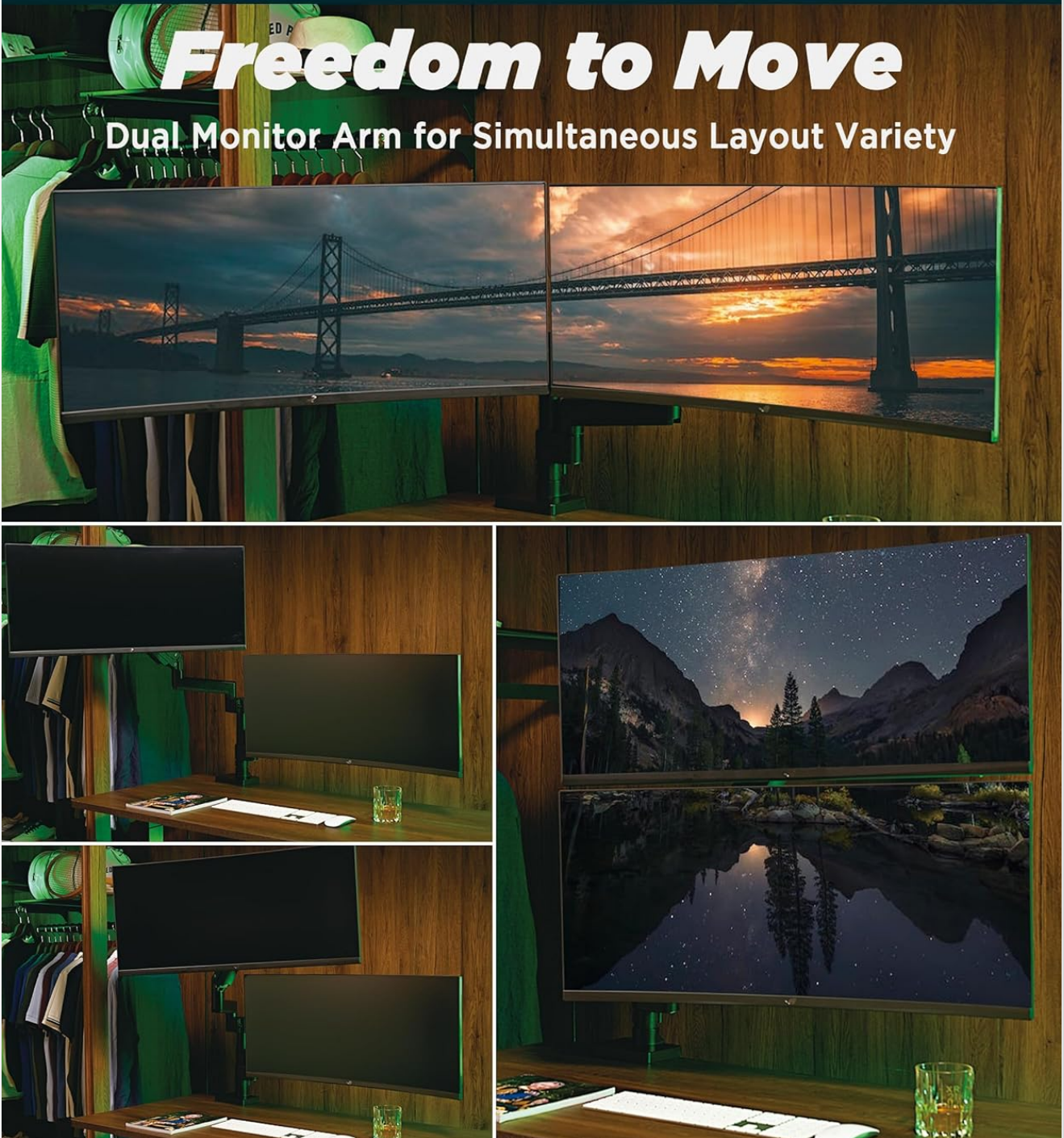


Image: The monitor arm showcasing its 'Freedom to Move' feature, allowing for diverse monitor layouts and orientations to suit user preferences.

Optimizing Workspace

By mounting your monitors, you can reclaim valuable desk space that would otherwise be occupied by bulky monitor bases. This creates a cleaner, more organized, and efficient workspace.

⚠ IMPORTANT NOTICE ⚠

Mounting Base And Pole Are Not Included In This Product.



More Desk Space

Reclaim Workspace by Replacing Bulky Monitor Bases



Image: A setup with two monitors vertically stacked using the arm, highlighting the significant amount of desk space freed up by eliminating traditional monitor stands.

MAINTENANCE

To ensure the longevity and optimal performance of your ULTRARM MA20P-A Heavy Duty Extension Arm, follow these general maintenance guidelines:

- **Regular Cleaning:** Wipe down the arm and surfaces with a soft, dry cloth to remove dust and debris. Avoid abrasive cleaners or solvents.
- **Check Connections:** Periodically inspect all screws and connections to ensure they are secure. Tighten any

loose fasteners as needed.

- **Gas Spring Adjustment:** If the monitor arm feels too stiff or too loose, refer to the original MA20P-S manual for instructions on adjusting the gas spring tension to match your monitor's weight.
- **Cable Management:** Ensure cables are neatly routed through the integrated cable management channels to prevent pinching or damage.

TROUBLESHOOTING

If you encounter any issues with your ULTRARM MA20P-A Heavy Duty Extension Arm, consider the following common troubleshooting steps:

- **Arm is too stiff/loose:** This is typically related to the gas spring tension. Adjust the tension screw on the arm according to the weight of your monitor. Refer to the MA20P-S manual for specific adjustment procedures.
- **Monitor sags or tilts unexpectedly:** Ensure the VESA plate screws are securely fastened to the monitor and the arm. Also, verify that the monitor's weight does not exceed the arm's maximum capacity (44 lbs / 20 kg).
- **Arm does not hold position:** Check the tension settings for all pivot points. Over time, these may require minor adjustments to maintain desired stability.
- **Cables are not neat:** Reroute cables through the designated cable management clips or channels on the arm to ensure a clean setup and prevent interference with movement.

If problems persist, please contact ULTRARM customer support for further assistance.

SPECIFICATIONS

Feature	Specification
Brand	ULTRARM
Model Number	MA20P-A
Item Weight	7.89 pounds
Product Dimensions	25 x 3 x 15 inches
Country of Origin	China
Color	Black
Mounting Type	Tabletop Mount (requires MA20P-S base)
Movement Type	Height Adjustable, Articulating, Tilt, Rotate, Swivel
Material	Aluminum
Maximum Compatible Size	57 Inches
Minimum Compatible Size	17 Inches
Compatible Devices	Monitor
Maximum Tilt Angle	50 Degrees

WARRANTY AND SUPPORT

For information regarding product warranty, returns, or technical support, please contact ULTRARM customer service directly. You can typically find contact details on the ULTRARM official website or through your purchase platform.

A detailed Installation Manual (PDF) is available for download, which provides comprehensive instructions and diagrams for setup and use. This document can be found on the product's Amazon listing page or by visiting the ULTRARM brand store.

For additional resources and product information, visit the [ULTRARM Store on Amazon](#).