

[Manuals.plus](#) /

> [HAUOMS](#) /

> HAUOMS Vanity Desk with Mirror Lights, Storage Bench & Power Outlet - User Manual

## HAUOMS B0CL6MF38W

# HAUOMS Vanity Desk with Mirror Lights, Storage Bench & Power Outlet

Model: B0CL6MF38W

## INTRODUCTION

Thank you for choosing the HAUOMS Vanity Desk. This manual provides essential information for the safe assembly, operation, and maintenance of your new vanity desk. Please read all instructions carefully before beginning assembly or use.

## SAFETY INFORMATION

- Always unplug the vanity before assembly or disassembly.
- Be cautious of sharp edges and pinch points during assembly and usage.
- Keep the vanity away from heat sources and moisture.
- Do not place heavy objects on the mirror to avoid damage.
- Always supervise children when they are near the vanity.

## SETUP & ASSEMBLY

Assembly is required for this vanity desk. Each part is clearly labeled with a number to facilitate the process. While assembly is designed to be straightforward, it involves numerous components and may take several hours. A power drill (set to a low torque setting, e.g., 4 or less, to prevent overtightening) is highly recommended to expedite the process.

### Assembly Tips:

- Unpack all components and verify against the parts list provided in your package.
- Organize parts by their labels to simplify identification during assembly.
- Follow the step-by-step instructions in your included assembly guide.

- Ensure all connections are secure but avoid overtightening screws to prevent damage to the engineered wood.



Figure 1: Fully assembled HAUOMS Vanity Desk.

Your browser does not support the video tag.

Video 1: Overview of the HAUOMS Large Corner Vanity Desk with Rotatable Shelves, demonstrating its features and design.

## OPERATING INSTRUCTIONS

### LED Mirror with 3 Light Settings:

The vanity features an HD LED mirror with a touchscreen button for controlling the lighting. This mirror offers three distinct light settings (Cool White, Warm White, Warm Yellow) and adjustable brightness levels.

- **To change light color:** Lightly tap the touchscreen button on the mirror.
- **To adjust brightness:** Press and hold the touchscreen button to dim or brighten the light.

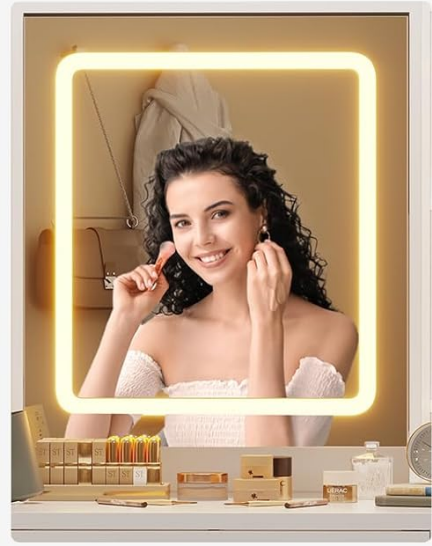
# 3 Light Settings / Dimmable



Cool White



Warm White



Warm Yellow

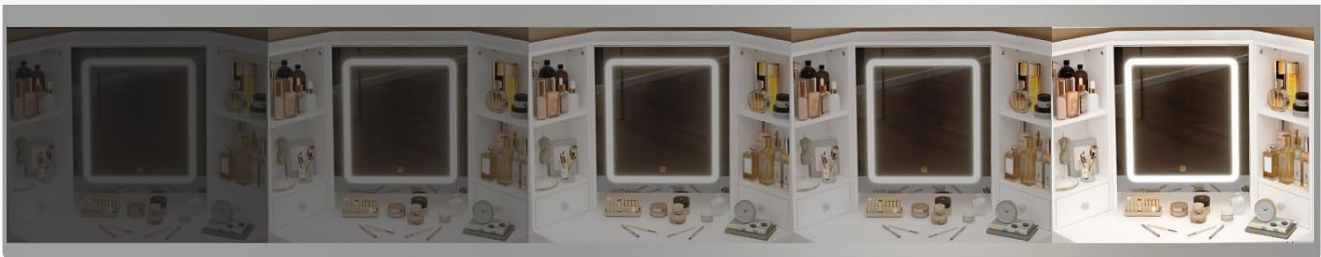
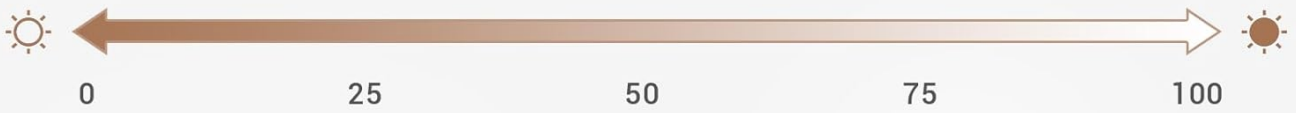


Figure 2: LED Mirror light settings and dimmable feature.

## Vertical Power Outlet:

The vanity includes a convenient charging station with 2 USB ports and 2 AC outlets (120V / 12A) to keep your devices and tools powered. The vertical design helps to free up desktop space.

- Plug your devices into the available USB ports or AC outlets.
- Ensure the vanity is properly connected to a power source for the outlets to function.

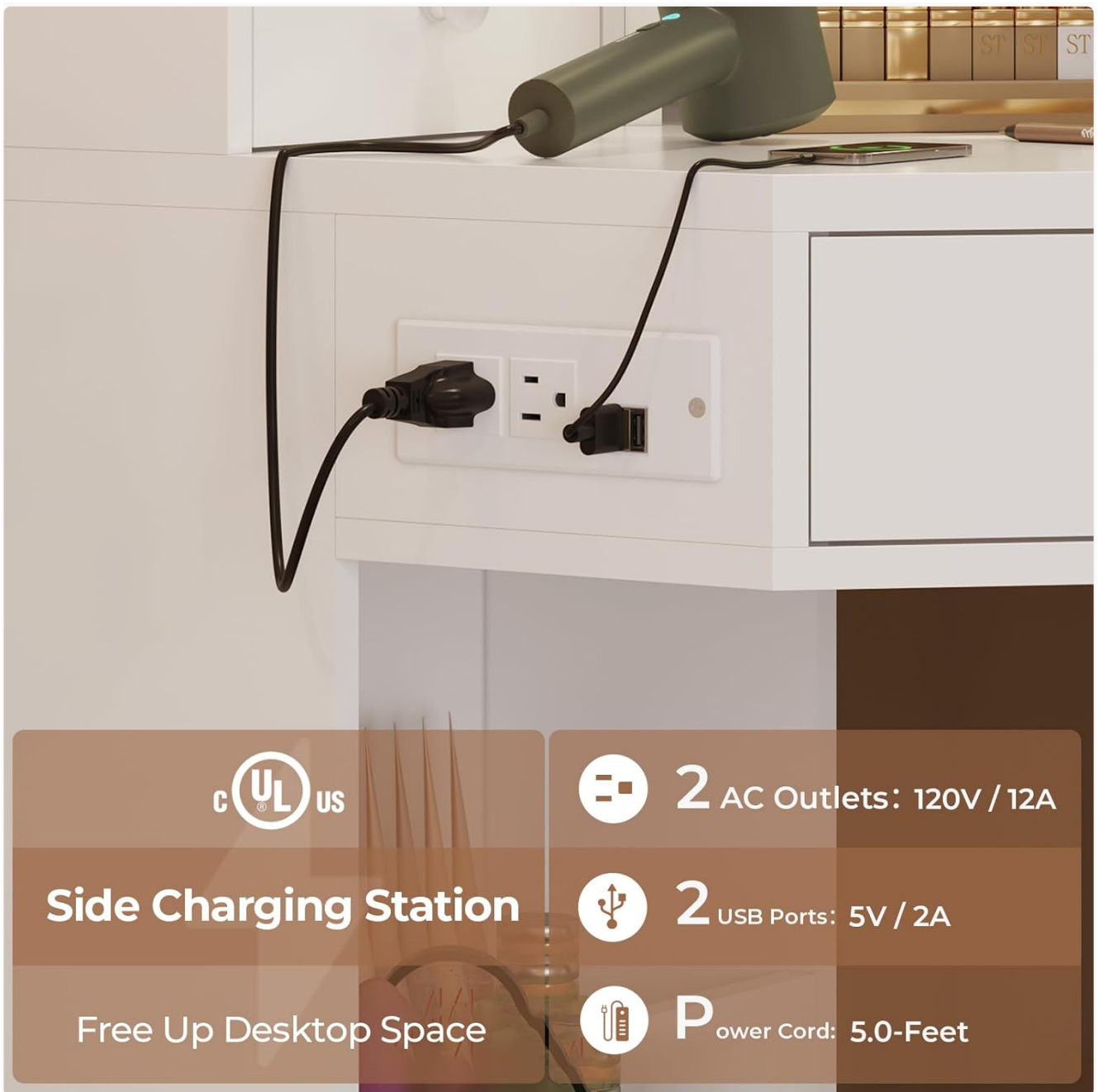


Figure 3: Integrated vertical power outlet with USB ports.

### Rotating Cabinet & Storage:

The vanity features a rotating cabinet with six shelves, a large drawer, and five open shelves for organizing beauty essentials. The rotating shelves are designed to open easily and stay shut with magnetic catches.

- Gently pull the rotating cabinet to access the shelves.
- Push the cabinet back into place until the magnetic catches secure it.
- Utilize the spacious drawers for additional storage, designed for smooth gliding and soft close.

# Rotatable Shelves

Easy to open & stay with magnet catches



Figure 4: Rotating cabinet with multiple storage shelves.

## Storage Bench:

The included PU-leather covered stool provides comfortable seating and additional hidden storage space.

- Lift the seat cushion to access the internal storage compartment.
- Close the seat cushion securely after use.

# PU Leather Storage Stool



Figure 5: Storage bench with internal compartment.

## MAINTENANCE

- **Cleaning:** Wipe the vanity surfaces with a dry cloth. Avoid abrasive cleaners or harsh chemicals that may damage the finish.
- **Moisture:** Keep the vanity away from excessive moisture to prevent warping or damage to the engineered wood.
- **Heat:** Avoid placing hot items directly on the vanity surface. Use protective pads if necessary.
- **Mirror Care:** Clean the mirror with a soft, lint-free cloth and a glass cleaner. Do not place heavy objects on the mirror.

## TROUBLESHOOTING

### Damaged or Missing Parts:

If you receive any damaged or missing components upon delivery, please contact customer support immediately for

assistance. Do not attempt to assemble the product with damaged parts.

### Vanity Instability:

The vanity is designed to be sturdy. If you experience any wobbling or instability, ensure all screws and fasteners are tightened correctly. For added stability, the vanity includes screws to secure it to a wall, especially if placed in a corner. Avoid placing excessively heavy items on the top surface.

### Drawers Not Gliding Smoothly:

Ensure the drawer runners are correctly installed and free from obstructions. For drawers without built-in glides, consider adding felt pads to the bottom corners to improve movement.

### Power Outlet Not Functioning:

Verify that the vanity is properly plugged into a working electrical outlet. Check the power switch on the outlet unit, if present. If issues persist, ensure the internal wiring connections are secure (refer to assembly instructions).

## SPECIFICATIONS

Feature	Detail
Brand	HAUOMS
Model	B0CL6MF38W
Color	Creamy White
Material	Engineered Wood
Product Dimensions (D x W x H)	21.5"D x 42.5"W x 54.6"H
Seat Height	17.5 Inches
Number of Drawers	4
Required Assembly	Yes
Included Components	Light kit included

# DIMENSION

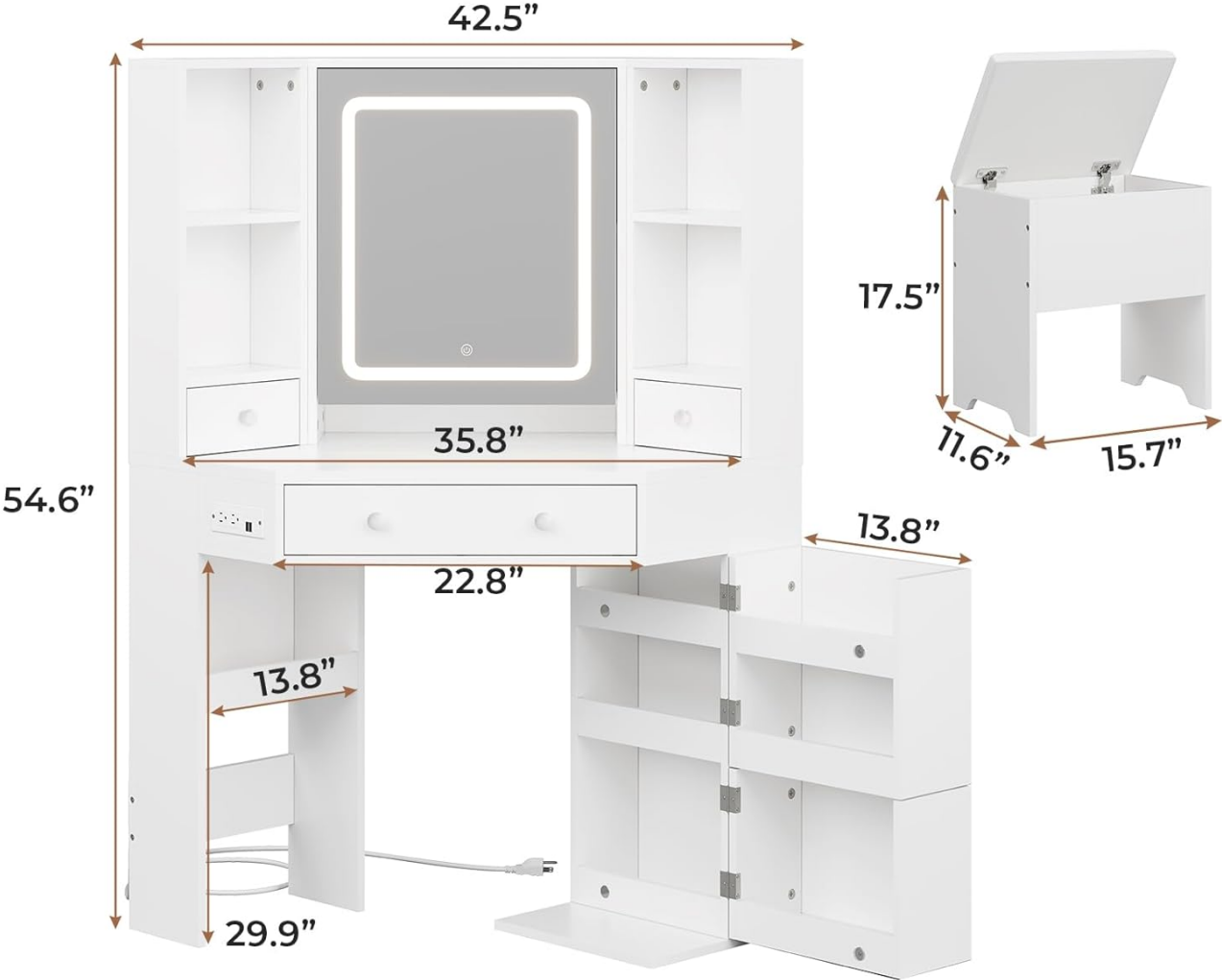


Figure 6: Product dimensions overview.

## WARRANTY & SUPPORT

HAUOMS is committed to ensuring a seamless experience with your product. For any questions, assistance, or to report damaged/missing parts, please contact our thoughtful support team. We are just a message away. Please refer to your purchase documentation for specific warranty details and return policies. Typically, a 30-day easy return policy is offered for this product.