



Manuals.plus /

› Ddyspan /

› Ddyspan 3-Piece Mortise and Tenon Router Bit Set (1/2 Shank) Instruction Manual

Ddyspan Ddyspan9963352034431

Ddyspan 3-Piece Mortise and Tenon Router Bit Set (1/2 Shank) Instruction Manual

INTRODUCTION

This instruction manual provides essential information for the safe and effective use of your Ddyspan 3-Piece Mortise and Tenon Router Bit Set. This set includes a large panel bit and a two-piece tongue and groove bit set, all designed with a 1/2 inch shank for various woodworking applications, including cabinet doors and joint construction. Please read this manual thoroughly before operation to ensure proper setup, safe handling, and optimal performance.

SAFETY INSTRUCTIONS

Always prioritize safety when working with power tools and router bits. Failure to follow these instructions may result in serious injury or damage to the tool and workpiece.

- **Wear Personal Protective Equipment (PPE):** Always wear safety glasses or a face shield, hearing protection, and appropriate work gloves.
- **Inspect Bits Before Use:** Check router bits for any signs of damage, dullness, or cracks. Never use damaged bits.
- **Secure Workpiece:** Ensure your workpiece is firmly clamped or secured to prevent movement during routing.
- **Proper Router Setup:** Ensure the router is unplugged before changing bits. Insert the bit shank fully into the collet and tighten securely.
- **Maintain Control:** Always maintain a firm grip on the router. Use both hands when operating.
- **Correct Feed Rate:** Use a consistent and appropriate feed rate. Too fast can cause burning or kickback; too slow can cause burning.
- **Direction of Cut:** Always feed the workpiece against the rotation of the bit to prevent kickback.
- **Clear Work Area:** Keep your work area clean and free of obstructions.
- **Unplug When Not in Use:** Disconnect the router from the power source when not in use, before making adjustments, or when changing bits.

PRODUCT OVERVIEW

This Ddyspan 3-piece router bit set is crafted from cemented carbide for durability and precision. It includes specialized bits for creating strong joints and decorative panel profiles.

Set Components:

- **1 x Large Panel Bit:** Designed for creating decorative edges on cabinet doors and panels.
- **2 x Tongue and Groove Bits:** A matched pair for creating interlocking tongue and groove joints, ideal for flooring, paneling, and other joinery.



Image: The complete 3-piece Ddyspan router bit set, showing the large panel bit and the two tongue and groove bits, along with their key dimensions in inches and millimeters. All bits feature a 1/2 inch (12.7mm) shank.

1/2" shank

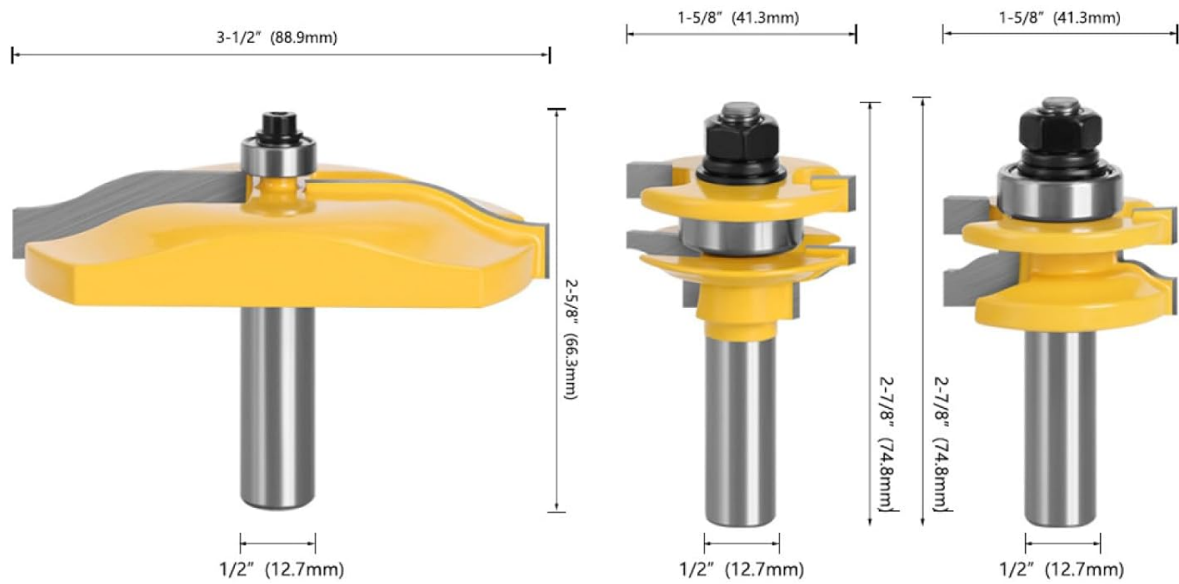


Image: A detailed view of the Ddyspan large panel router bit, highlighting its profile and dimensions. This bit is used for creating decorative raised panel profiles on woodworking projects.



Image: An illustration demonstrating the application of the Ddyspan router bits. It shows how the panel bit creates a decorative edge and how the tongue and groove bits form an interlocking joint, along with detailed profile diagrams and dimensions for the cuts.

SETUP

1. **Select the Correct Bit:** Choose the appropriate bit (panel or tongue/groove) for your desired woodworking task.
2. **Unplug Router:** Always ensure your router is unplugged from the power source before installing or removing bits.
3. **Clean Collet and Shank:** Ensure both the router collet and the bit shank are clean and free of debris to ensure a secure grip.
4. **Insert Bit:** Insert the bit shank fully into the router collet. Avoid bottoming out the bit in the collet; pull it out slightly (about 1/16 to 1/8 inch) before tightening. This prevents the shank from contacting the bottom of the collet, which can lead to vibration and bit breakage.
5. **Tighten Collet Nut:** Use the appropriate wrenches to securely tighten the collet nut. Do not overtighten, but ensure the bit is firmly held.
6. **Adjust Bit Height/Depth:** Set the desired cutting height or depth according to your project requirements. Perform test cuts on scrap material to verify settings.

OPERATING INSTRUCTIONS

General Routing Tips:

- **Test Cuts:** Always make test cuts on scrap material to confirm bit height, depth, and feed rate before routing your final workpiece.
- **Multiple Passes:** For deeper cuts or harder materials, make multiple shallow passes instead of one deep pass. This reduces strain on the bit and router, improves cut quality, and minimizes burning.
- **Consistent Feed Rate:** Maintain a steady and consistent feed rate. Listen to the router motor; if it sounds strained, reduce the feed rate.
- **Climb Cuts (Caution):** Avoid climb cuts (feeding with the bit's rotation) unless you are an experienced user and understand the risks. Climb cuts can lead to aggressive material removal and loss of control.

Using the Panel Bit:

The large panel bit is typically used in a router table setup. Adjust the fence to control the depth of cut for the decorative profile. Ensure the workpiece is fed smoothly and consistently across the bit.

Using the Tongue and Groove Bits:

These bits are designed to be used as a pair to create interlocking joints. One bit cuts the 'tongue' profile, and the other cuts the 'groove' profile. It is crucial to set the height of both bits accurately to ensure a flush and strong joint. Often, a setup block or careful measurement is used to match the centerlines of the tongue and groove.

1. Install the tongue bit and adjust its height. Make a test cut on scrap.
2. Install the groove bit. Adjust its height to match the tongue bit's centerline, ensuring the joint will be flush. Make a test cut.
3. Once satisfied with the test joint, proceed with routing your workpieces.

MAINTENANCE

- **Cleaning:** After each use, clean the bits to remove resin, pitch, and sawdust buildup. Use a specialized router bit cleaner or a mild solvent. Avoid using wire brushes, which can damage the carbide.
- **Lubrication:** A light coat of dry lubricant or rust preventative can be applied to the bit body (avoiding the cutting edges) for storage, especially in humid environments.
- **Inspection:** Regularly inspect bits for dullness, nicks, or cracks in the carbide. Dull bits can cause burning, excessive heat, and poor cut quality. Replace damaged or excessively dull bits.
- **Storage:** Store router bits in their original protective cases or a dedicated bit storage tray to protect the cutting edges from damage and prevent rust.

TROUBLESHOOTING

- **Burning on Workpiece:**
 - **Cause:** Dull bit, too slow feed rate, too deep cut in one pass, or excessive friction.
 - **Solution:** Replace or sharpen bit, increase feed rate, make shallower passes, ensure bit is clean.
- **Rough or Chipped Cuts:**
 - **Cause:** Dull bit, too fast feed rate, incorrect bit height, or workpiece movement.
 - **Solution:** Replace or sharpen bit, decrease feed rate, adjust bit height, secure workpiece firmly.

- **Excessive Vibration/Noise:**

- **Cause:** Bit not fully inserted into collet, loose collet nut, damaged bit, or unbalanced bit.
- **Solution:** Re-insert bit fully and tighten collet, inspect bit for damage, replace if necessary.

- **Bit Breaking:**

- **Cause:** Overtightening collet, bit bottomed out in collet, excessive force, or hitting foreign objects.
- **Solution:** Ensure proper bit insertion and tightening, avoid excessive force, inspect workpiece for foreign objects.

SPECIFICATIONS

Feature	Specification
Brand	Ddyspan
Model Number	Ddyspan9963352034431
Set Type	3-Piece Mortise and Tenon / Panel Router Bit Set
Shank Diameter	1/2 inch (12.7 mm)
Material	Cemented Carbide
Item Weight	300 g
Product Category	Milling Cutter / Router Bit

WARRANTY AND SUPPORT

For any questions regarding the Ddyspan 3-Piece Mortise and Tenon Router Bit Set, including warranty information or technical support, please contact the manufacturer or your point of purchase. Keep your purchase receipt as proof of purchase.