

Manuals+

[Q & A](#) | [Deep Search](#) | [Upload](#)

manuals.plus /

- › [DieseRC](#) /
- › [DieseRC Wireless Smart Roller Blind Control Module User Manual](#)

DieseRC 7e289357-5098-4d46-aece-f2503629653b

DieseRC Wireless Smart Roller Blind Control Module User Manual

Model: 7e289357-5098-4d46-aece-f2503629653b

INTRODUCTION

This user manual provides comprehensive instructions for the installation, setup, and operation of the DieseRC Wireless Smart Roller Blind Control Module. This system allows for smart control of traditional roller blinds, sunscreens, or AC motors via Wi-Fi, RF remote control, and manual switches, enhancing convenience and automation in your home or office.



Image: Overview of the DieseRC Smart Roller Blind Control Module set, including five Wi-Fi+RF curtain modules and one RF remote control.

COMPONENTS INCLUDED

The package includes the following items:

- 5 x WIFI Controller Modules
- 1 x RF Remote Control
- 1 x Product User Manual (this document)

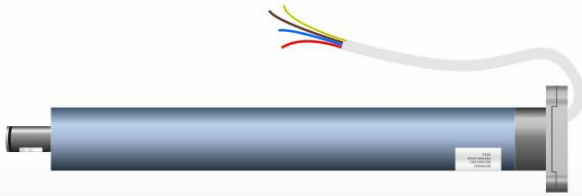
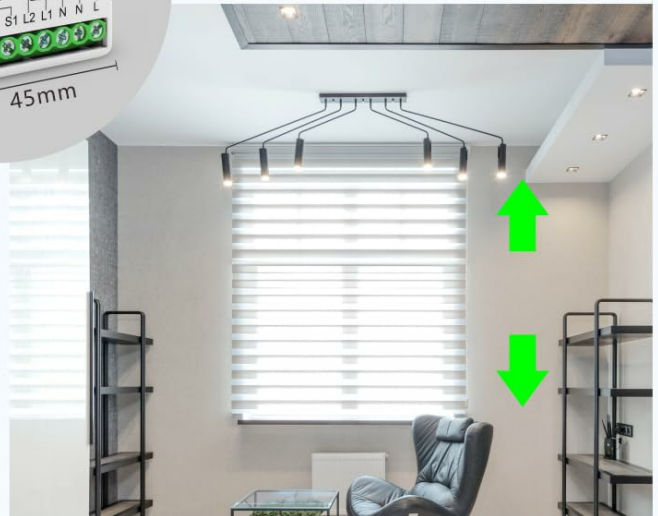
SPECIFICATIONS

WiFi Controller Module

Parameter	Value
Operating Voltage	AC 100V~240V
Relay Maximum Current	10A (5A for inductive load)
Standby Power	0.2 W
WiFi Standard	IEEE 802.11 b/g/n 2.4 GHz
RF Frequency	433 MHz
Support Coding	1527 learning code
Receiving Sensitivity	>97 dbm
Number of Remote Controls Supported	20 pieces
RF Control Mode	Superheterodyne ASK radio reception
RF Reception Range	Approx. 30~50 meters indoors
Operating Temperature	-30 ~ 80 °C
Dimensions (L x W x H)	45mm x 45mm x 16mm

Remote Control Parameters

Parameter	Value
RF Frequency	433 MHz
Coding	1527 learning code
Battery	23A 12V
Service Life	500,000 times
Dimensions (L x W x H)	11mm x 37mm x 15mm



4-wire AC motor ✓



Widely used in many area

- curtains
- awnings
- roller blinds
- sliding door
- garage door
- roller shutters
- window blinds
- venetian blinds

Image: Detailed dimensions of the control module (45x45x16mm) and illustrations of its wide application in various settings like curtains, roller blinds, garage doors, and awnings.

SETUP AND INSTALLATION

Wiring Diagram

The WiFi switch module is designed for easy installation and can be hidden in most electrical cabinets or junction boxes. It is compatible with 4-wire and 5-wire AC motors. Ensure power is disconnected before wiring.

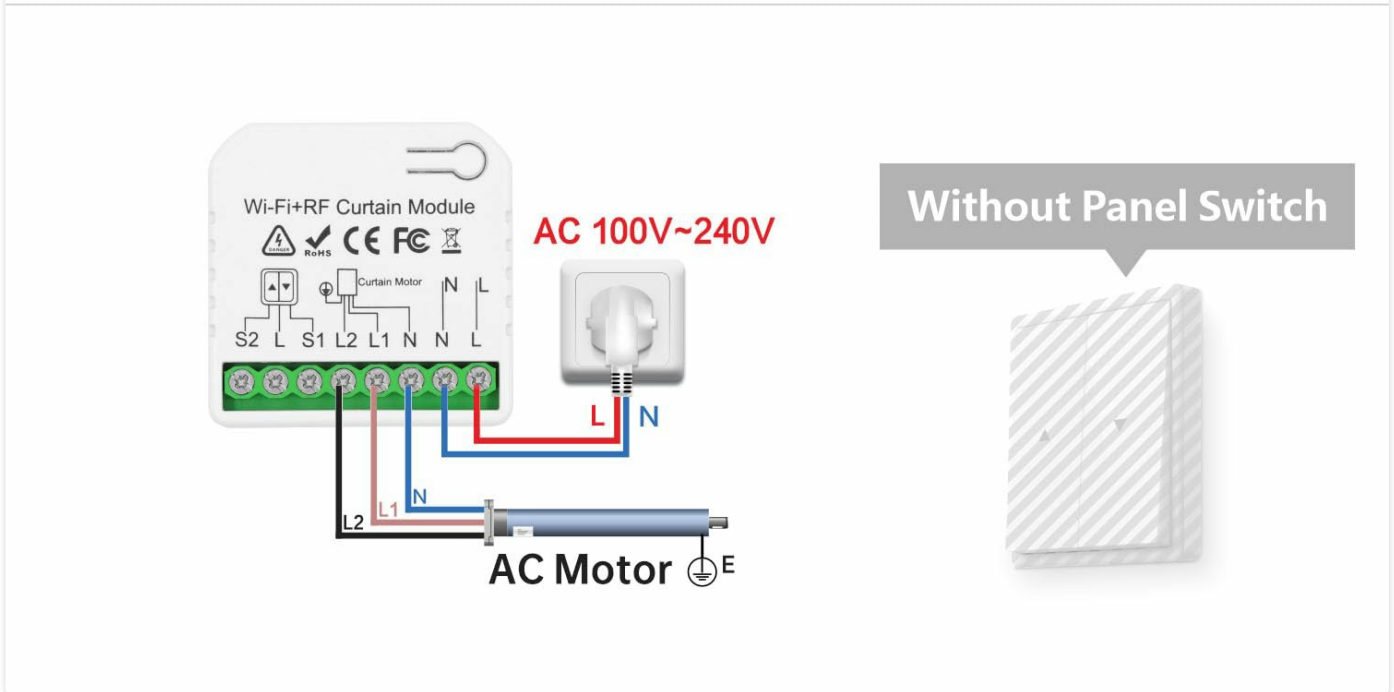
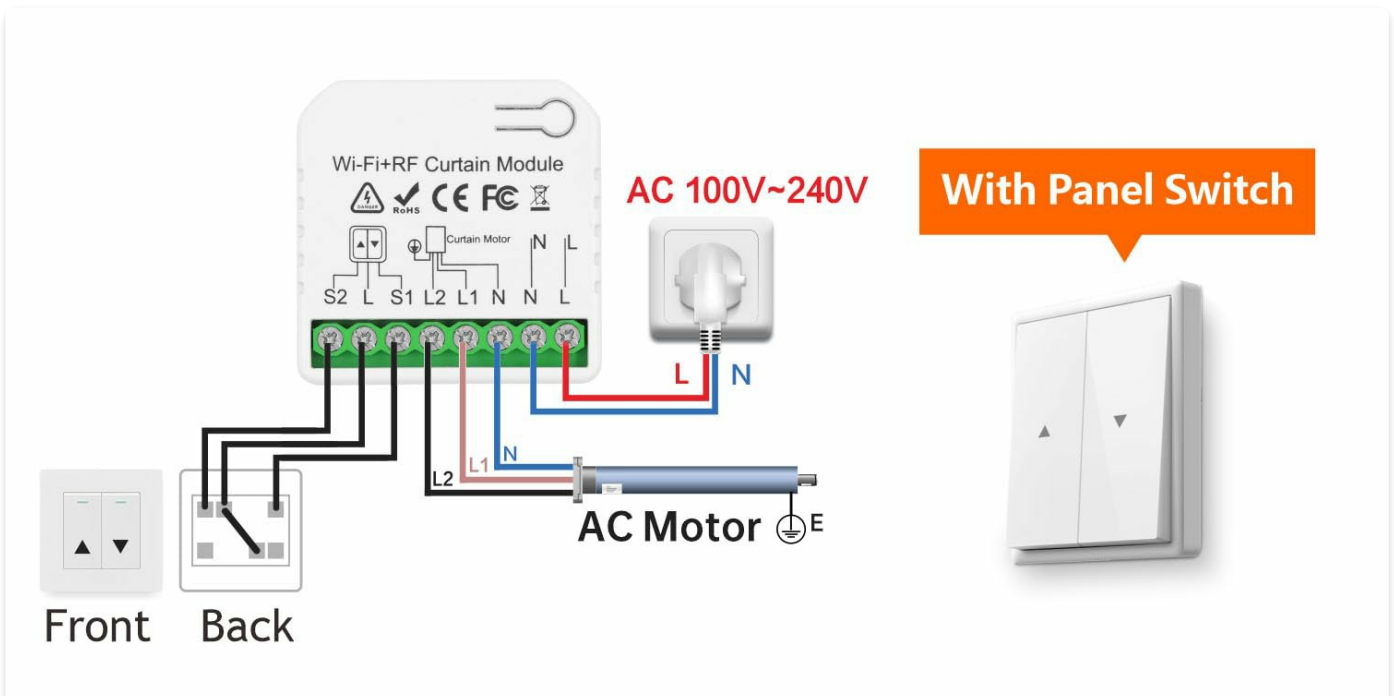


Image: Wiring instructions showing how to connect the module to an AC motor, both with and without an external panel switch. The module connects to AC 100V~240V power and the motor's L1, L2, and N terminals.

- Connect the module to your AC 100V~240V power supply (L and N).
- Connect the AC motor to the module's L1, L2, and N terminals.
- If using a manual panel switch, connect it to the S1 and S2 terminals on the module.

App Connection (Tuya / Smart Life)

Follow these steps to connect your WiFi curtain module to the Tuya or Smart Life app:

1. Ensure your phone is connected to a 2.4GHz Wi-Fi network and Bluetooth is enabled.
2. The WiFi curtain module will automatically enter "pairing network status" when powered on, indicated by a flashing blue LED. If the LED is not flashing, reset the device by pressing and holding the learning button on the module for approximately 10 seconds until the blue LED flashes.
3. Open the "Tuya" or "Smart Life" app on your phone.
4. The WiFi curtain module icon should appear in the app. Follow the on-screen instructions to complete the pairing. If

it does not appear automatically, click "Add Device" and select the "Curtain Module" icon.



APP Control

Control your devices anytime, anywhere with "Tuya" APP or "Smartlife" APP.



Image: Illustration of the mobile app control interface, showing how to control the curtain module from anywhere with no distance limit via Wi-Fi.

RF Signal Pairing (Remote Control)

To pair the RF remote control with the curtain module:

1. Press the learning button on the curtain module once.
2. Immediately press the first button on your remote control. The module will confirm successful pairing.



RF Wireless Control

- Achieve about 30~50 meters control distance .
- The remote control is removable from its base.
- Easy to use. Suitable for the elderly and children.

Image: Demonstrates the RF wireless control with a remote, highlighting a control distance of approximately 30-50 meters. The remote is shown to be removable from its base.

OPERATING INSTRUCTIONS

Multiple control modes

Making your roller shutter to be smart and convenient.



Image: Visual representation of the multiple control modes available for the smart roller shutter, including APP control (Tuya/Smart Life), RF remote control, manual panel switch, and voice control (Alexa/Google Assistant).

App Control

Once connected to the "Tuya" or "Smart Life" app, you can control your roller blinds from anywhere with an internet connection. The app allows for opening, closing, pausing, and setting percentage levels for your blinds.



curtain  80%

- Percentage Control Function
- Limited movement setting, motor automatically stop in the edge.

Image: Screenshot of the mobile app interface demonstrating the percentage control function, allowing users to set the curtain's open/close position from 0% to 100%. It also shows the ability to set limited movement for automatic stopping.

- **Open/Close/Pause:** Use the dedicated buttons in the app to fully open, close, or pause the blinds at any position.
- **Percentage Control:** Adjust the blind's position to a specific percentage (e.g., 50% open) using the slider or input field in the app.
- **Timer Function:** Set schedules for automatic opening and closing of your blinds at specific times.
- **Share Control:** Share control of the connected WiFi switch with family members through the app.

RF Remote Control

The included 5-channel RF remote control provides convenient local control of your blinds. It can control up to 5 different receiver modules.

1 remote 5 devices

1 remote=5 remotes

Press "  " to switch between different devices



Image: The RF remote control demonstrating its ability to control up to five different devices by switching channels (01-05) using the circular arrow button.

- **Channel Selection:** Use the channel button on the remote to switch between the 5 available channels, each corresponding to a paired module.
- **Up/Down/Stop:** Use the dedicated buttons to raise, lower, or stop the blinds.
- The remote control is removable from its base, which can be mounted on a wall using double-sided tape or screws (included).

Manual Switch Control

If you have connected a traditional manual switch to the module, you can operate the blinds directly from the wall switch.

- Simply use the up/down buttons on your connected manual switch to control the blinds.

Voice Control (Amazon Alexa / Google Home)

The WiFi switch is compatible with Amazon Alexa and Google Home, allowing for convenient voice commands.

Voice Control

Compatible with Alexa/GoogleAssistant.



Image: A family interacting with smart speakers (Amazon Echo and Google Home) to control curtains via voice commands, illustrating the voice control capability of the module.

- Ensure your module is successfully connected to the Tuya/Smart Life app.
- Enable the "Tuya Smart" or "Smart Life" skill in your Alexa or Google Home app.
- Discover devices.
- Use commands such as:
 - "Alexa, open the curtain."
 - "Hey Google, close the blind."
 - "Alexa, set the curtain to 50%."

MAINTENANCE

The DieseRC Smart Roller Blind Control Module is designed for low maintenance. Follow these general guidelines:

- Keep the module and remote control clean and dry. Avoid exposure to excessive moisture or extreme temperatures.

- For the remote control, replace the 23A 12V battery when its performance degrades. The battery typically lasts about 3 years.
- Do not attempt to disassemble or repair the module or remote control yourself. Refer to qualified personnel for any issues.

TROUBLESHOOTING

Module not connecting to Wi-Fi:

- Ensure your Wi-Fi network is 2.4GHz. The module does not support 5GHz networks.
- Verify your phone's Bluetooth is enabled during the pairing process.
- Make sure the module is in "pairing network status" (blue LED flashing). If not, reset it by holding the learning button for 10 seconds.
- Check your Wi-Fi signal strength near the module. If weak, consider a Wi-Fi extender (as suggested in a review).
- Ensure your router is not blocking new device connections.

Remote control not working:

- Ensure the remote control is properly paired with the module (refer to RF Signal Pairing section).
- Check the battery in the remote control (23A 12V). Replace if necessary.
- Ensure you are within the RF reception range (approx. 30-50 meters indoors).
- Verify you are on the correct channel if controlling multiple modules.

Motor not responding:

- Check all wiring connections to the module and motor for secure contact.
- Ensure the module is receiving power (AC 100V~240V).
- Confirm the motor is a 4-wire or 5-wire AC motor compatible with the module.
- If the motor has an integrated driver, ensure it is compatible.

WARRANTY AND SUPPORT

For product support, technical assistance, or warranty inquiries, please contact DieseRC customer service through the platform where you purchased the product. Refer to your purchase documentation for specific warranty terms and contact information.

The high-quality relay in the WiFi switch is designed for over 400,000 uses, ensuring long-term reliability.