

Gorenje BCM4547A10X

Gorenje Built-in Microwave Oven with Grill User Manual

Model: BCM4547A10X

Brand: Gorenje

1. INTRODUCTION

This user manual provides comprehensive instructions for the safe and efficient operation, installation, and maintenance of your Gorenje Built-in Microwave Oven with Grill, model BCM4547A10X. This appliance features a 50-liter capacity, 1000 watts microwave power, 2200 watts grill power, and an LED display, all housed in a sleek stainless steel design. Please read this manual thoroughly before using the appliance and keep it for future reference.

2. SAFETY INSTRUCTIONS

Always adhere to the following safety precautions to prevent personal injury or damage to the appliance.

- Ensure the appliance is properly grounded before use.
- Do not operate the oven if the door or door seals are damaged. Contact qualified service personnel.
- Only use utensils suitable for microwave ovens. Metal containers are not suitable for microwave cooking.
- Liquids and other foods must not be heated in sealed containers as they are liable to explode.
- Regularly clean the oven and remove any food deposits. Failure to maintain the oven in a clean condition could lead to deterioration of the surface that could adversely affect the life of the appliance and possibly result in a hazardous situation.
- The appliance is equipped with a Child Safety Lock feature. Refer to the 'Operating' section for activation and deactivation instructions.
- Do not attempt to service or repair the appliance yourself. Refer all servicing to qualified personnel.

3. SETUP AND INSTALLATION

This Gorenje microwave oven is designed for built-in installation. Proper installation is crucial for optimal performance and safety.

3.1 Unpacking

Carefully remove all packaging materials. Inspect the appliance for any signs of damage. Report any damage to your retailer immediately.

3.2 Installation Requirements

Ensure the installation niche meets the specified dimensions for proper ventilation and fit. The appliance requires a niche with dimensions (WxHxD) of 56 × 45 × 55 cm.



Figure 3.1: Installation dimensions for the Gorenje BCM4547A10X built-in microwave oven. The diagram illustrates the required niche dimensions for proper fitting into cabinetry.

3.3 Electrical Connection

Connect the appliance to a properly grounded electrical outlet. The connected load is 3,000 W. Ensure the voltage matches your household supply (240 Volts).

4. OPERATING INSTRUCTIONS

Familiarize yourself with the control panel and various cooking functions.



Figure 4.1: Front view of the Gorenje BCM4547A10X microwave oven, highlighting its stainless steel exterior and integrated LED display.

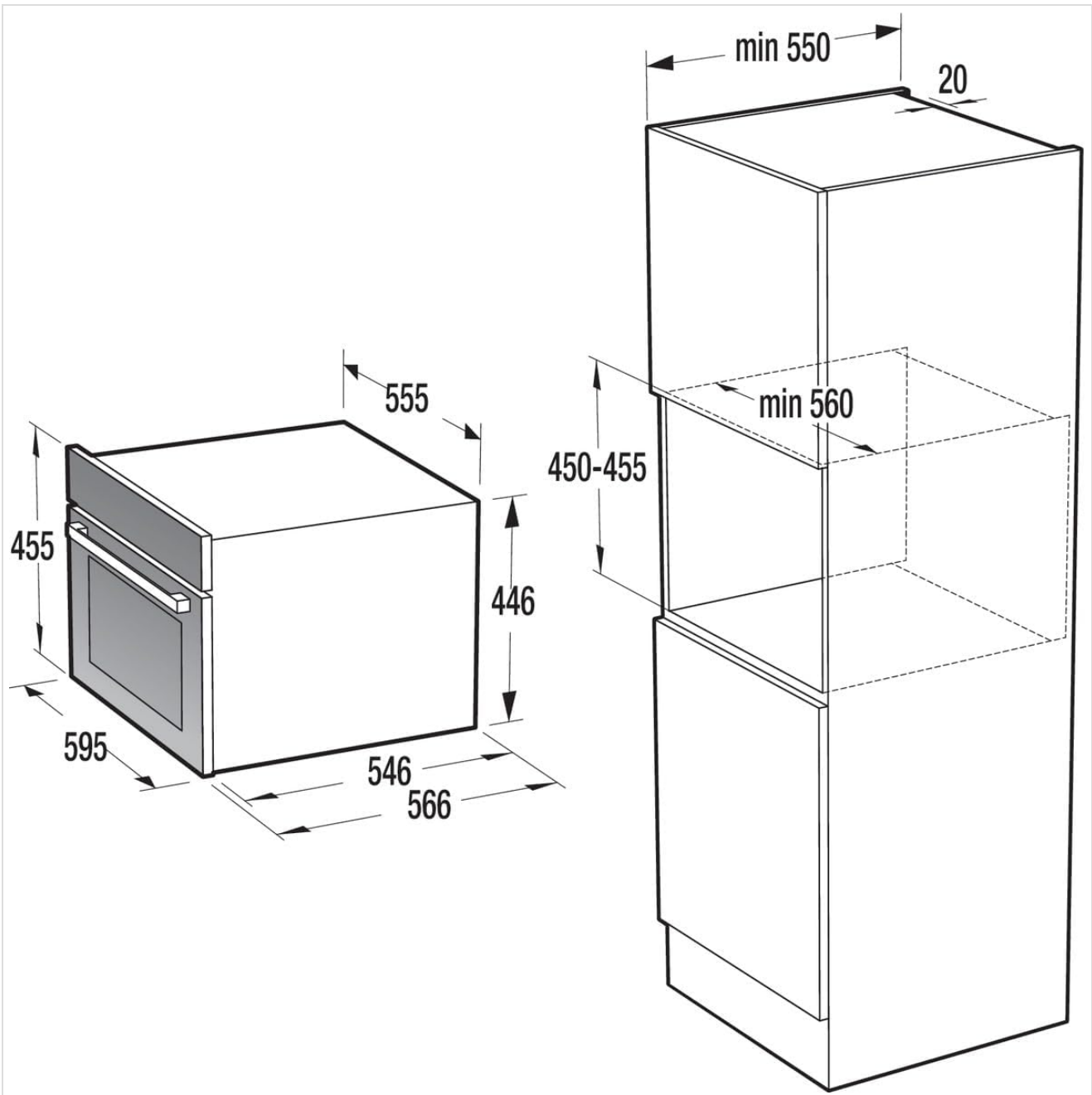


Figure 4.2: Detailed view of the control panel, featuring the LED display, touch controls, and the central ergonomic knob for setting functions and time.

4.1 Control Panel Overview

The appliance features an intuitive LED display and ergonomic knobs for easy operation. Key controls include:

- **On/Off Button:** Powers the appliance on or off.
- **Ergonomic Knob:** Used to select cooking programs, adjust time, and set temperature.
- **Start/Stop Button:** Initiates or pauses cooking.
- **Light Button:** Turns the interior oven light on or off.
- **Pre-Bake / Auto-Bake / Extra-Bake:** Pre-set functions for various cooking needs.

4.2 Cooking Functions

The Gorenje BCM4547A10X offers a wide range of heating types and special features:

- **Microwaves:** For rapid heating and cooking.
- **Grill:** Ideal for browning and crisping food. (Grill power: 2,200 W)

- **Microwave and Hot Air:** Combines microwave speed with convection cooking for even results.
- **Defrost:** Thaws frozen food efficiently.
- **Lower and Upper Heater:** Traditional baking.
- **Conventional with Ventilation:** For even baking and roasting.
- **Infra Heater / Infra Heater with Ventilation:** For intense heat, similar to grilling.
- **Lower Heater with Circular Heater and Fan:** For baking on multiple levels.
- **WarmPlate:** Keeps dishes warm.
- **Gentle Bake / FrozenBake / Pizza:** Specialized programs for specific food types.
- **Air Fry:** For healthier frying with hot air.
- **Aqua Clean:** Steam-assisted cleaning function.



Figure 4.3: The spacious 50-liter interior of the Gorenje BCM4547A10X, featuring wire guides and the included grill rack and glass tray for versatile cooking.

4.3 Child Safety Lock

To activate the child safety lock, press and hold the designated button (refer to control panel diagram) for approximately 3

seconds until the lock indicator appears on the display. To deactivate, repeat the process.

5. MAINTENANCE AND CLEANING

Regular cleaning and maintenance will ensure the longevity and optimal performance of your appliance.

5.1 Aqua Clean Function

The Aqua Clean function uses steam to soften food residues, making cleaning easier. Pour a small amount of water into a heat-resistant dish and place it in the oven. Select the Aqua Clean program. After the program finishes, wipe the interior with a soft cloth.

5.2 General Cleaning

- Always unplug the appliance before cleaning.
- Clean the exterior with a soft, damp cloth and mild detergent. The stainless steel finish is Touch Free Inox, designed to resist fingerprints.
- The removable flat oven inner door glass surface can be cleaned separately.
- Do not use abrasive cleaners, steel wool, or sharp objects.

6. TROUBLESHOOTING

If you encounter issues with your appliance, refer to the following common problems and solutions before contacting service.

Problem	Possible Cause	Solution
Appliance does not turn on.	No power supply; Child Safety Lock activated.	Check power cord connection and circuit breaker. Deactivate Child Safety Lock.
Food is not heating evenly.	Incorrect power level or cooking time; Food not stirred/rotated.	Adjust power level and time. Stir or rotate food during cooking.
Unusual noises during operation.	Loose accessories; Food touching oven walls.	Ensure all accessories are properly placed. Reposition food.
Oven light not working.	Bulb needs replacement.	Contact qualified service personnel for bulb replacement.

7. TECHNICAL SPECIFICATIONS

Detailed specifications for the Gorenje BCM4547A10X microwave oven.

Feature	Specification
Brand	Gorenje
Model Number	BCM4547A10X
Capacity	50 Liters
Microwave Power	1000 Watts
Grill Power	2200 Watts

Feature	Specification
Connected Load	3000 Watts
Voltage	240 Volts
Frequency Microwave Power	2,450 MHz
Installation Type	Built-In
Color	Stainless Steel
Control Panel Material	Stainless Steel
Inner Material Type	Stainless Steel (SilverMatte)
Product Dimensions (W×H×D)	59.5 × 45.5 × 54.6 cm
Niche Dimensions (W×H×D)	56 × 45 × 55 cm
Net Weight	34.4 kg
Gross Weight	38.7 kg
Consumption in Standby Mode	1 W
Special Features	Child Safety Lock, Touch Free Inox, SuperSize baking area, Removable flat oven inner door glass surface, Soft Open and Gentle Close door hinge, Dynamic oven cooling plus (DC+), Triple glazing with a protective grid, Multi Flow 360°, Extra Steam, Gratin, Baking on different levels, Illumination.
Included Components	1 Shallow tray, 1 Glass tray, 1 Premium grill rack
Country of Origin	Slovenia

8. WARRANTY AND SUPPORT

Your Gorenje BCM4547A10X microwave oven comes with a comprehensive warranty and dedicated customer support.

8.1 Warranty Information

This appliance is covered by a **5-year manufacturer's warranty** from the date of purchase. This warranty covers defects in materials and workmanship under normal use. Please retain your proof of purchase for warranty claims.

8.2 Customer Support

For technical assistance, service requests, or warranty inquiries, please contact Gorenje customer support. Visit the official Gorenje website or refer to your purchase documentation for local contact details.

Gorenje Official Website: www.gorenje.com

Service Hotline: Please refer to your regional Gorenje contact information.