

[Manuals.plus](#) /

> [EMKE](#) /

> EMKE Electric Towel Warmer with WiFi Thermostat (Model: 1320x400mm 600W, Anthracite)

EMKE 1320x400mm 600W

EMKE Electric Towel Warmer with WiFi Thermostat (Model: 1320x400mm 600W, Anthracite)

1. INTRODUCTION

Thank you for choosing the EMKE Electric Towel Warmer. This manual provides essential information for the safe and efficient installation, operation, and maintenance of your new appliance. Please read it thoroughly before use and retain it for future reference.



Figure 1: EMKE Electric Towel Warmer (Anthracite, 1320x400mm)

2. IMPORTANT SAFETY INFORMATION

To ensure safe operation and prevent damage, please observe the following safety guidelines:

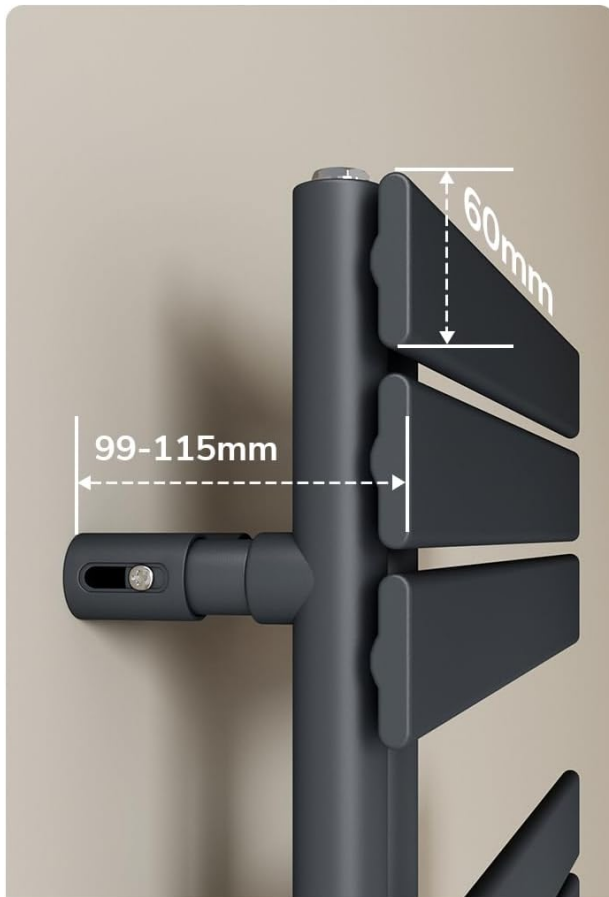
- **Electrical Safety:** Always disconnect the power supply before any installation, maintenance, or cleaning procedures. Only energize the unit after confirming the completion of installation.
- **Water Proximity:** The towel warmer has an IP44 protection rating against splashing water, making it suitable for use in humid environments like bathrooms. However, avoid direct water jets or submersion.
- **Professional Installation:** Installation should ideally be carried out by a qualified professional to ensure correct and safe setup.
- **Child Safety:** The unit features a child lock function to prevent accidental changes to settings. Keep children away from the appliance during operation, especially when it is hot.
- **Surface Temperature:** The surface of the towel warmer can become hot during operation. Avoid prolonged direct contact to prevent burns.

3. PRODUCT OVERVIEW

The EMKE Electric Towel Warmer is constructed from high-quality Q195 low-carbon steel, known for its excellent thermal conductivity and durability. It features an ecological protective coating and an optimized design for efficient heating and energy saving.

Calor óptimo en el baño

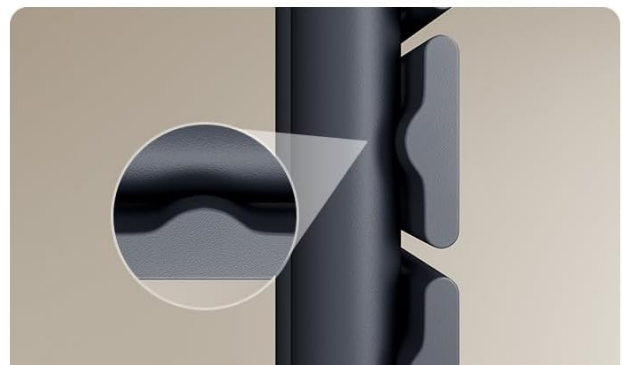
Calefacción de alta eficiencia: calor confortable con un consumo mínimo de energía



16 mm
Distancia ajustable



Materiales de alta calidad
acero SPCC + recubrimiento protector ecológico



Técnica de soldadura solapada
previene eficazmente cualquier fuga de agua

Figure 2: High-quality materials and construction details. This image illustrates the high-quality SPCC low-carbon steel construction with an ecological protective coating, the adjustable wall distance (99-115mm), and the overlap welding technique designed to prevent water leaks and ensure durability.

Video 1: Product Features Overview. This video demonstrates the robust construction of the EMKE electric towel warmer, including its high-quality materials and seamless welding process. It also illustrates its efficient heat dissipation for quick towel drying and the easy-to-use timer settings.

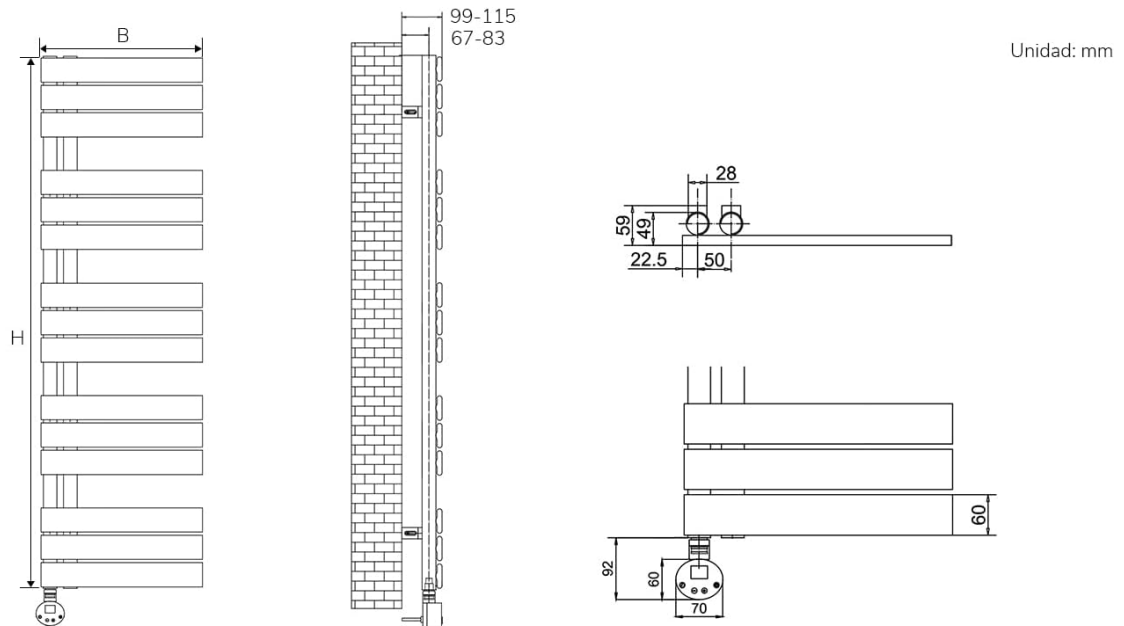
4. SETUP (INSTALLATION)

The electric towel warmer comes pre-installed with the electric heating element and antifreeze. You only need to install the thermostatic head onto the heating rod. Ensure the power supply is disconnected before beginning installation.

- **Mounting:** Securely mount the towel warmer to the wall using the provided brackets. The adjustable wall

distance is between 99-115 mm.

- **Electrical Connection:** Connect the unit to a suitable power outlet. Ensure the electrical installation complies with local regulations.
- **Final Check:** After installation, ensure all connections are secure and the unit is stable before restoring power.



Altura (mm)	Ancho (mm)	Número de tubos	Potencia (W)	Área recomendada de aplicación (m ²)	Peso neto (kg)	Distancia entre agujeros (vertical) (mm)	Distancia entre agujeros (horizontal) (mm)
762	400	9	400	4	12.1	482	50
	500	9	400	4	13.7	482	50
	600	9	400	4	15.5	482	50
1041	400	12	400	4	15.5	761	50
	500	12	600	6	18.0	761	50
	600	12	600	6	20.0	761	50
1320	400	15	600	6	19.1	1040	50
	500	15	800	8	22.1	1040	50
	600	15	800	8	25.0	1040	50
1599	400	18	800	8	22.8	1319	50
	500	18	1000	10	26.6	1319	50
	600	18	1000	10	30.5	1319	50

Figure 3: Installation Dimensions. This diagram provides detailed dimensions (height, width), number of tubes, power, recommended application area, net weight, and distances between mounting holes (vertical and horizontal) for different models of the EMKE electric towel warmer.

5. OPERATING INSTRUCTIONS

5.1 Initial Setup and Connectivity

Your EMKE towel warmer can be controlled via its integrated thermostat, a smartphone app, or voice commands.

- **App Connection:** Download the Tuya or Smart Life app on your smartphone. Follow the in-app instructions to connect your towel warmer to your home WiFi network.

- **Voice Assistant Integration:** Once connected to the app, you can link it with Google Home or Amazon Alexa for voice control.

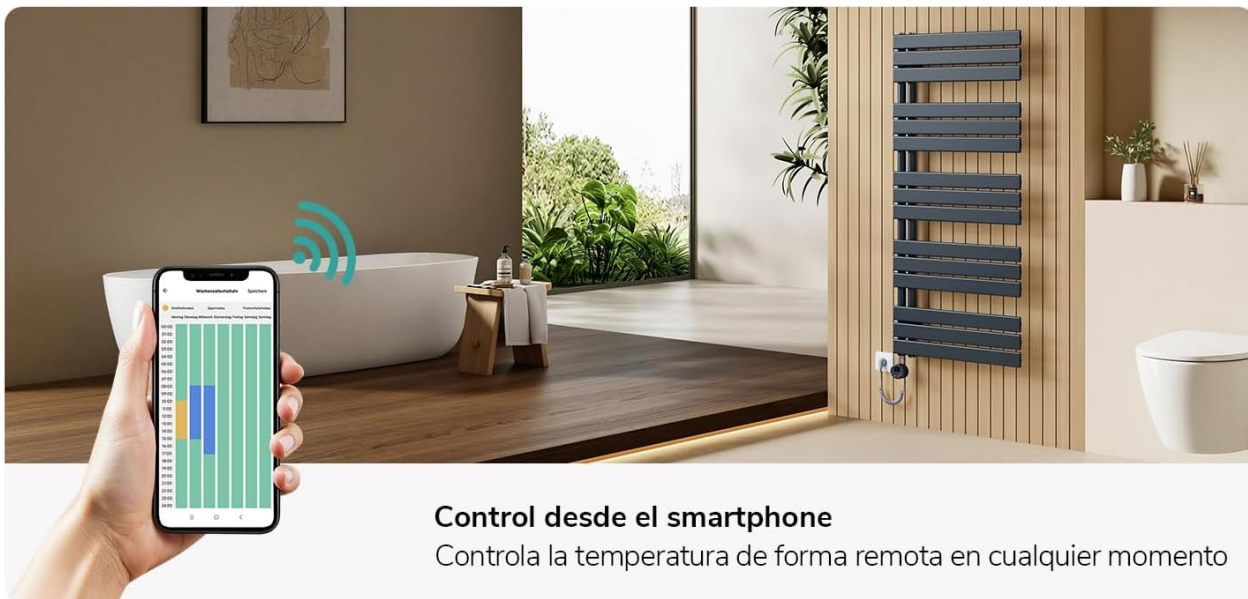


Figure 4: Smart Control Options. This image illustrates how to control the towel warmer remotely using a smartphone application and through simple voice commands with a smart speaker like Alexa.

5.2 Control Panel and Buttons

The integrated control panel allows for direct adjustment of settings:

- **Power Button:** Turns the unit on or off.
- **Mode Change Button:** Cycles through the available operating modes.
- **Temperature/Time Adjustment Buttons (+/-):** Increases or decreases the temperature setting or timer duration.

Sensor de temperatura ambiente: 7-30°C

Temporizador programable: 7 días y 24 h



Figure 5: Control Panel Details. A close-up view of the control panel, showing the ambient temperature sensor (7-30°C range), programmable timer (7 days/24 hours), and buttons for decreasing/increasing temperature/time, changing mode, and power on/off.

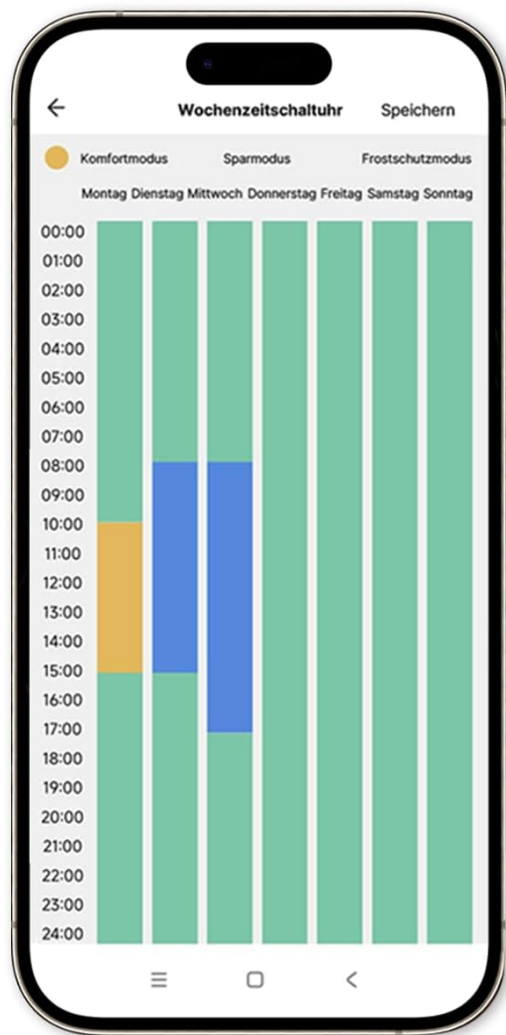
5.3 Operating Modes and Temperature Settings

The towel warmer offers four distinct operating modes and an ambient temperature sensor with a range of 7-30°C. The thermostat allows temperature control between 30-70°C.

- **Comfort Mode:** Standard temperature of 19°C, adjustable between 7°C and 30°C.
- **Eco Mode:** Standard temperature of 15°C, adjustable between 7°C and 30°C.
- **Boost Mode:** Rapid heating to 70°C with a single button press.
- **Anti-freeze Mode:** Automatically activates when the room temperature drops below 7°C to prevent freezing.

Cuatro modos

Ajuste de temperaturas en diferentes intervalos de tiempo



7-30°C
Modo Confort



7-30°C
Modo Ahorro



70°C
Modo Boost



<7°C
Modo Anticongelante

Figure 6: Operating Modes. This image explains the four operational modes: Comfort, Eco, Boost, and Anti-freeze, along with an example of a programmable weekly schedule.

5.4 Programmable Timer and Memory Function

The towel warmer includes a programmable timer for 24 hours, 7 days a week, allowing you to set specific heating schedules. The memory function ensures that your preferred settings are saved even after power interruptions.



Figure 7: Temperature Compensation and Memory. This image demonstrates the temperature compensation feature, which adjusts the heating based on ambient conditions, and the memory function, which retains your preferred settings.

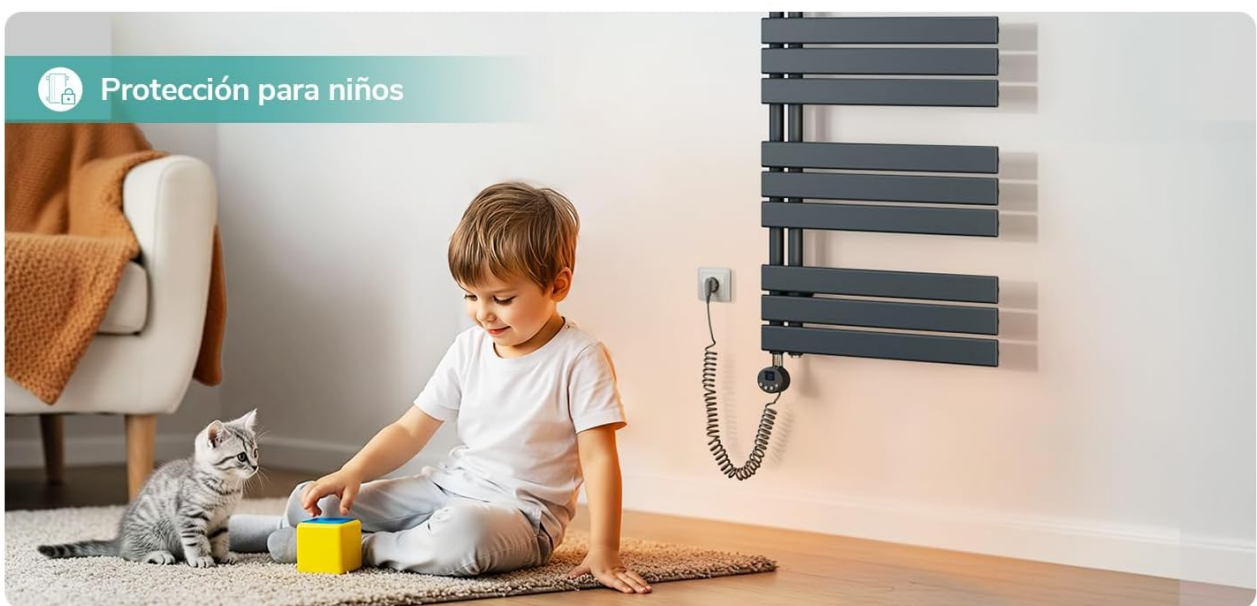


Figure 8: Window Detection and Child Lock. This image highlights the window detection function, which can automatically adjust heating when a window is open, and the child lock feature for safety.

Video 2: Smart Features and Timer. This video provides a visual guide to the smart functionalities of the EMKE electric towel warmer, showcasing remote control via smartphone app, voice commands, the quality of its construction materials, and its efficient quick-drying performance.

6. MAINTENANCE

Regular maintenance ensures the longevity and optimal performance of your towel warmer.

- **Cleaning:** Wipe the surface with a soft, damp cloth. Do not use abrasive cleaners, solvents, or harsh chemicals, as these can damage the finish.
- **Inspection:** Periodically check the power cord and plug for any signs of damage. If damage is found, contact a qualified technician for repair.
- **Dust Removal:** Ensure the heating elements are free from dust and debris to maintain heating efficiency.

7. TROUBLESHOOTING

If you encounter any issues with your EMKE Electric Towel Warmer, please refer to the following common troubleshooting steps:

- **Unit Not Heating:** Check if the unit is properly plugged into a working power outlet. Ensure the power button is on and the desired temperature/mode is selected. Verify that the circuit breaker has not tripped.
- **App Connectivity Issues:** Ensure your WiFi network is active and the towel warmer is within range. Restart your router and the towel warmer. Re-attempt the pairing process in the Tuya/Smart Life app.
- **Inaccurate Temperature Reading:** Ensure the ambient temperature sensor is not obstructed or exposed to direct drafts or heat sources that could affect its reading.
- **Error Codes:** If the display shows an error code, consult the app for specific meanings or contact customer support.

If the problem persists after attempting these steps, please contact customer support for further assistance.

8. TECHNICAL SPECIFICATIONS

Feature	Specification
Model	1320x400mm 600W
Dimensions (Height x Width)	1320 x 400 mm
Power	600 W
Recommended Application Area	6 m ²
Wall Distance	99-115 mm (adjustable)
Product Weight	18.3 kg
Color	Anthracite
Material	Q195 Low-Carbon Steel
IP Rating	IP44
Control Type	WiFi Thermostat (Tuya/Smart Life App, Google Home, Alexa)
Temperature Range	7-30°C (Ambient Sensor), 30-70°C (Thermostat Control)
Timer	Programmable 24 hours / 7 days
Included Components	Electric Towel Warmer

9. WARRANTY AND SUPPORT

EMKE products are manufactured to high-quality standards and come with a manufacturer's warranty. Please refer to the warranty card included with your product for specific terms and conditions.

For technical support, troubleshooting assistance, or warranty claims, please contact EMKE customer service

through the retailer where you purchased the product or visit the official EMKE website for contact information.