

Eyeskey CM-9

Eyeskey Universal Phone Adapter CM-9 Instruction Manual

Model: CM-9

[Introduction](#) [Product](#)
[Overview](#) [Setup](#) [Operation](#) [Compatibility](#) [Maintenance & Support](#) [Troubleshooting](#) [Specifications](#) [Warranty](#)

1. INTRODUCTION

The Eyeskey Universal Phone Adapter CM-9 is designed to connect your smartphone to various optical devices, including binoculars, monoculars, spotting scopes, telescopes, and microscopes. This adapter allows you to capture photos and videos through your optical equipment, enhancing your observation and documentation capabilities. Its robust design and wide compatibility make it a versatile tool for enthusiasts and professionals alike.



Image: The Eyeskey Universal Phone Adapter CM-9, showcasing its design and various applications with optical devices.

2. PRODUCT OVERVIEW

2.1 Components

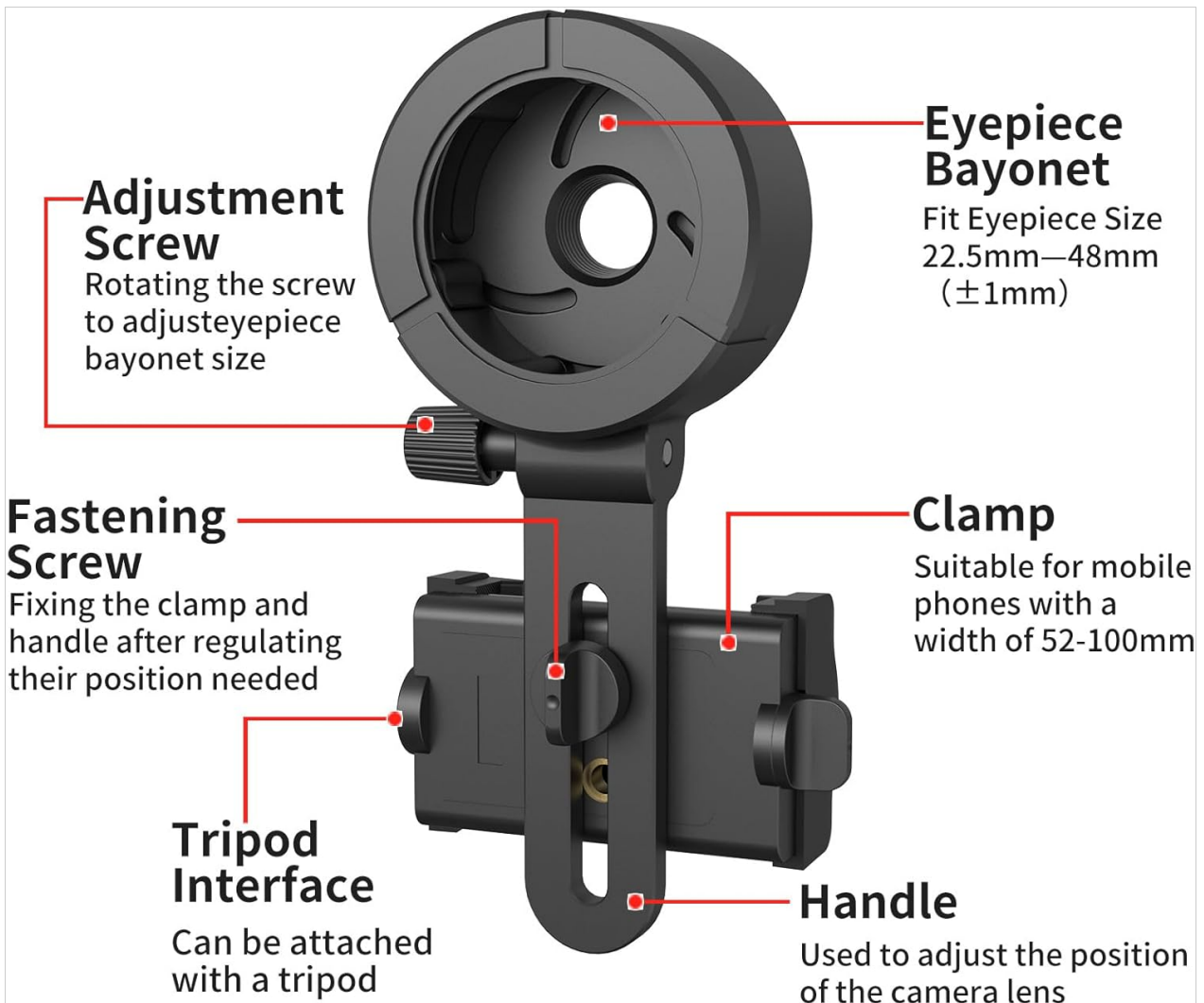


Image: Detailed diagram of the adapter's components.

- **Eyepiece Bayonet:** Fits eyepieces with sizes ranging from 22.5mm to 48mm.
- **Adjustment Screw:** Rotates to adjust the eyepiece bayonet size for a secure fit.
- **Fastening Screw:** Secures the phone clamp position after adjustment.
- **Tripod Interface:** Allows attachment to a standard tripod for enhanced stability.
- **Clamp:** Holds smartphones with a width range of 52mm to 100mm.
- **Handle:** Used to adjust the position of the phone's camera lens relative to the eyepiece.

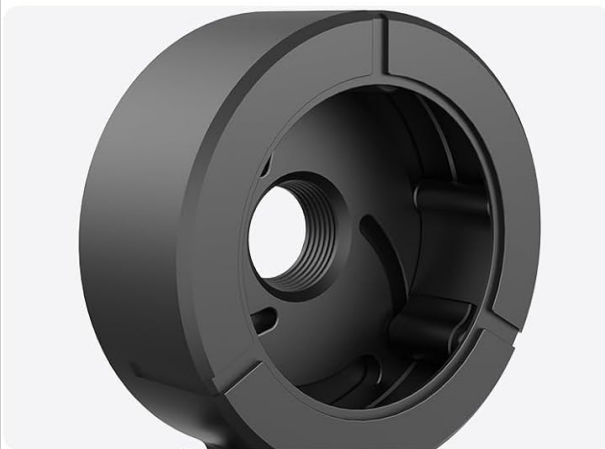
2.2 Key Features



Stainless steel telescopic rod
sturdy and rust-resistant



Anti-slip knob
Makes adjustment easier and smoother



Soft rubber bayonet
Effectively protects the Eyepieces



Non-slip soft rubber clamp
Protects the phone from damage
Ensures the lens remains in place

Image: Close-up view of key features including the telescopic rod, adjustment knob, and protective rubber elements.

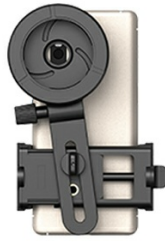
- **Robust and Durable Construction:** Features a fully metal housing and a high-strength ABS plastic phone clamp for longevity.
- **Soft Rubber Eyepiece Bayonet:** Effectively protects the eyepiece from scratches and damage.
- **Non-slip Soft Rubber Clamp:** Secures your phone without causing damage and ensures the lens remains in place.
- **Anti-slip Knob:** Provides easier and smoother adjustments.
- **Stainless Steel Telescopic Rod:** Sturdy and rust-resistant for reliable performance.
- **Lightweight and Portable:** Designed for easy transport during outdoor activities.

3. SETUP INSTRUCTIONS

Follow these steps to properly attach your smartphone to an optical device using the Eyeskey Universal Phone Adapter CM-9:

1

Pull out the clamp and place the phone horizontally.

2

Adjusting the handle to make sure your phone's main camera is located in the center hole of the eyepiece bayonet, then tighten the fastening screw.

3

Attach the eyepiece bayonet on the eyepiece, then tighten the adjustment screw.

4

Adjusting the focus wheel until the picture is clear. Then use the phone's built-in zoom function to zoom in to full-screen image.

Image: Step-by-step guide for adapter setup.

1. **Step 1: Place Phone in Clamp.** Pull out the phone clamp and carefully place your smartphone horizontally into the clamp. Ensure it is securely held.
2. **Step 2: Align Camera.** Adjust the handle to ensure your phone's main camera lens is precisely centered within the hole of the eyepiece bayonet. Once aligned, tighten the fastening screw to secure the phone's position. If your phone has multiple cameras, use the main lens for optimal results.
3. **Step 3: Attach to Eyepiece.** Place the eyepiece bayonet onto the eyepiece of your optical device (e.g., binocular, telescope). Rotate and tighten the adjustment screw until the adapter is firmly attached to the eyepiece without excessive force.
4. **Step 4: Initial Focus.** With the adapter and phone attached, look through your phone's camera screen. Adjust the focus wheel of your optical device until the image on your phone screen is clear.

4. OPERATING INSTRUCTIONS

4.1 Focusing and Image Capture

After initial setup, fine-tuning is essential for clear images:



Image: Demonstrating easy focusing with the adapter and a monocular.

- **Fine-tune Focus:** Continue to adjust the focus wheel of your optical device until the image on your smartphone screen is sharp and clear.
- **Use Phone Zoom:** Utilize your smartphone's built-in digital zoom function to achieve a full-screen image and eliminate vignetting (dark edges).
- **Stability:** For best results, especially at high magnifications, consider attaching your optical device to a tripod using the adapter's tripod interface. This minimizes shake and improves image clarity.
- **Capture:** Use your smartphone's camera app to take photos or record videos.

5. COMPATIBILITY

5.1 Optical Devices

The Eyeskey Universal Phone Adapter CM-9 is designed for wide compatibility with various optical devices:



Image: The adapter in use with various optical devices.

- **Binoculars:** Compatible with most standard binoculars.
- **Monoculars:** Works with various monocular models.
- **Spotting Scopes:** Suitable for most spotting scopes.
- **Astronomical Telescopes:** Can be used with many types of astronomical telescopes.
- **Microscopes:** Adaptable for use with microscopes.

The eyepiece bayonet fits eyepieces with an outer diameter ranging from **22.5mm to 48mm (±1mm)**.

5.2 Smartphones

The phone clamp is designed to accommodate a broad range of smartphones:

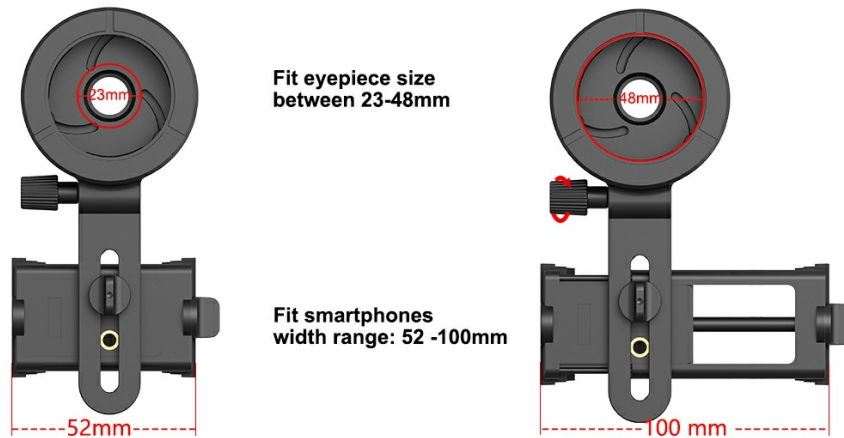


Image: Visual representation of eyepiece and smartphone width compatibility.

- The phone clamp supports smartphones with a width ranging from **52mm to 100mm**.
- This includes most popular models from brands like iPhone and Samsung.
- If your phone has multiple camera lenses, ensure you align the adapter with the primary camera lens for the best image quality.

6. MAINTENANCE

Proper care and maintenance will ensure the longevity and optimal performance of your Eyeskey Universal Phone Adapter CM-9.

- **Cleaning:** Use a soft, dry cloth to wipe down the adapter. Avoid abrasive cleaners or solvents that could damage the materials.
- **Storage:** Store the adapter in a clean, dry place away from direct sunlight and extreme temperatures when not in use.
- **Inspection:** Periodically check all screws and moving parts to ensure they are secure and functioning correctly. Tighten any loose screws gently.
- **Avoid Over-tightening:** Do not over-tighten the adjustment or fastening screws, as this can cause damage to the adapter or your optical device/smartphone.

7. TROUBLESHOOTING

If you encounter issues while using your Eyeskey Universal Phone Adapter CM-9, refer to the following common problems and solutions:

| Problem | Possible Cause | Solution |
|--|---|---|
| Phone does not fit in the clamp. | Smartphone width exceeds the adapter's range. | Ensure your phone's width is between 52mm and 100mm. Remove any bulky phone cases if necessary. |
| Adapter does not fit on the optical device's eyepiece. | Eyepiece diameter is outside the adapter's range. | Verify your eyepiece outer diameter is between 22.5mm and 48mm. Adjust the eyepiece bayonet screw fully. |
| Image on phone screen is blurry or unclear. | Improper focus or misalignment. | Adjust the focus wheel of your optical device. Ensure the phone's camera is perfectly centered over the eyepiece. |

| Problem | Possible Cause | Solution |
|--|--|---|
| Dark edges (vignetting) appear on the image. | Camera not perfectly aligned or insufficient zoom. | Re-align the phone camera to the center of the eyepiece. Use your smartphone's digital zoom function to fill the screen. |
| Adapter feels unstable or loose. | Screws are not tightened sufficiently. | Ensure both the fastening screw (for phone clamp) and the adjustment screw (for eyepiece bayonet) are tightened securely. |
| Difficulty aligning phone camera with multiple lenses. | Using the wrong camera lens. | Always align the adapter with your smartphone's primary camera lens. |

8. SPECIFICATIONS

Detailed technical specifications for the Eyeskey Universal Phone Adapter CM-9:

| Product Specification | |
|-----------------------|--|
| Model | CM-9 |
| Color | Black |
| Weight | 127g |
| Size | 160x85mm |
| Material | Plastic, Rubber, Aluminum alloy |
| Package | Carrying Box, Phone adapter mount |
| Function | Suitable for connecting phones with telescopes |
| Phone Size | Suitable for phones with a width of 52-100mm |
| Eyepiece Size | Fit Eyepiece Size 22.5mm—48mm (±1mm) |
| Features | Easy to focus, Wide range of application |

Image: Product Specification Table.

| Feature | Detail |
|---------------------------------|--|
| Model | CM-9 |
| Brand | Eyeskey |
| Product Dimensions | 6.3 x 3.35 x 1 inches (160x85mm) |
| Item Weight | 4.9 ounces (127g) |
| Material | Plastic, Rubber, Aluminum alloy |
| Eyepiece Compatibility | Fits eyepiece sizes 22.5mm – 48mm (±1mm) |
| Smartphone Compatibility | Fits phones with a width of 52mm – 100mm |
| Focus Type | Manual Focus (via optical device) |
| Power Source | Smartphone Powered (no external power required for adapter) |
| Features | Easy to focus, Wide range of application, Soft rubber eyepiece bayonet, Long-handle design, Environmentally friendly materials |

9. WARRANTY & SUPPORT

For warranty information and customer support, please refer to the documentation included with your purchase or visit the official Eyeskey website. If you have any questions or require assistance with your Eyeskey Universal Phone Adapter CM-9, please contact Eyeskey customer service directly.

You can often find support resources and contact information on the [Eyeskey Brand Store on Amazon](#).