

Sejoy Sejoy 3-in-1 Multifunctional Infant Highchair (Grey) - Model B0CKMSXYQ1

Sejoy Multifunctional Infant Highchair User Manual

Model: B0CKMSXYQ1

Brand: Sejoy

1. INTRODUCTION AND OVERVIEW

The Sejoy Multifunctional Infant Highchair is designed to provide a safe, comfortable, and adaptable feeding and resting solution for your child. This 3-in-1 high chair transitions with your baby, offering multiple configurations to suit various stages of growth and activities. It features a robust design with a focus on safety, ease of use, and convenient storage.

This highchair is suitable for children aged 6 months to 36 months, with a maximum load-bearing capacity of up to 50 lbs (approximately 22.6 kg).



Figure 1.1: The Sejoy Multifunctional Infant Highchair in its standard configuration.

2. SAFETY INFORMATION

Your child's safety is paramount. Please read and understand all safety warnings and instructions before assembly and use. Failure to follow these instructions could result in serious injury.

- **Always use the five-point safety harness:** Ensure your child is securely fastened in the seat at all times to prevent falls.
- **Never leave child unattended:** Constant supervision is required when your child is in the highchair.
- **Check stability:** Before placing your child in the highchair, ensure it is fully assembled, all locking mechanisms are engaged, and it is placed on a flat, stable surface.
- **Tray safety:** The highchair features a BPA-free plastic tabletop tray. Ensure the tray is securely attached before use.
- **Weight and age limits:** Do not exceed the maximum weight recommendation of 50 lbs (15 kg) or use for children outside the recommended age range of 6 to 36 months.
- **Avoid tipping:** Do not allow children to climb on or play with the highchair. Ensure the highchair is not placed

near edges where it could be pushed over.

Detachable double trays slip guard



removable double tray



five-point seat belt



removable and rear-locking wheels



foot pedal



sturdy metal frame



Figure 2.1: Key safety features including the five-point seat belt and detachable double trays.

3. PACKAGE CONTENTS

Please verify that all components are present and undamaged before beginning assembly. If any parts are missing or damaged, do not proceed with assembly and contact customer support.

- Highchair Frame (main body)
- Seat Unit with integrated harness
- Detachable Double Tray
- Footrest
- Detachable Wheels (4)
- Instruction Manual (this document)

4. ASSEMBLY AND SETUP

The Sejoy Highchair is designed for straightforward assembly. No additional tools are required for most components.

1. **Unfold the Frame:** Carefully unfold the main highchair frame until it locks into its upright position. Ensure all legs are fully extended and stable.
2. **Attach the Wheels (Optional):** If desired, insert the detachable wheels into the designated slots at the bottom of the highchair legs. Ensure they click into place securely. The wheels feature a locking gear for stability when stationary.
3. **Install the Seat Unit:** Align the seat unit with the frame's attachment points and push down firmly until it clicks into place.
4. **Attach the Footrest:** Slide the footrest into its designated slots on the lower part of the frame.
5. **Attach the Tray:** Slide the detachable double tray onto the armrests until it locks securely. The tray can be easily removed for cleaning by unlatching it.



Figure 4.1: The highchair in its assembled and folded states, demonstrating its compact design.



Figure 4.2: Detailed dimensions of the highchair and its tray for reference during setup.

5. OPERATING INSTRUCTIONS

The Sejoy Highchair offers various adjustments and configurations to adapt to your child's needs and different environments.

5.1 Adjusting Height and Recline

- **Seat Height:** The highchair features 6 seat height options, allowing you to adjust it to match different table or counter heights. Locate the height adjustment buttons on the side of the frame and press them simultaneously to raise or lower the seat to the desired position.
- **Backrest Recline:** The backrest can be adjusted to 2 recline positions. Use the recline mechanism on the back of the seat to select the most comfortable angle for your child, whether for eating or resting.
- **Footrest Positions:** The footrest offers 3 adjustable positions to provide optimal comfort and support for your child's legs as they grow. Adjust by pressing the buttons on the side of the footrest.

6 ADJUSTABLE HEIGHTS & 2-POSITION BACKREST

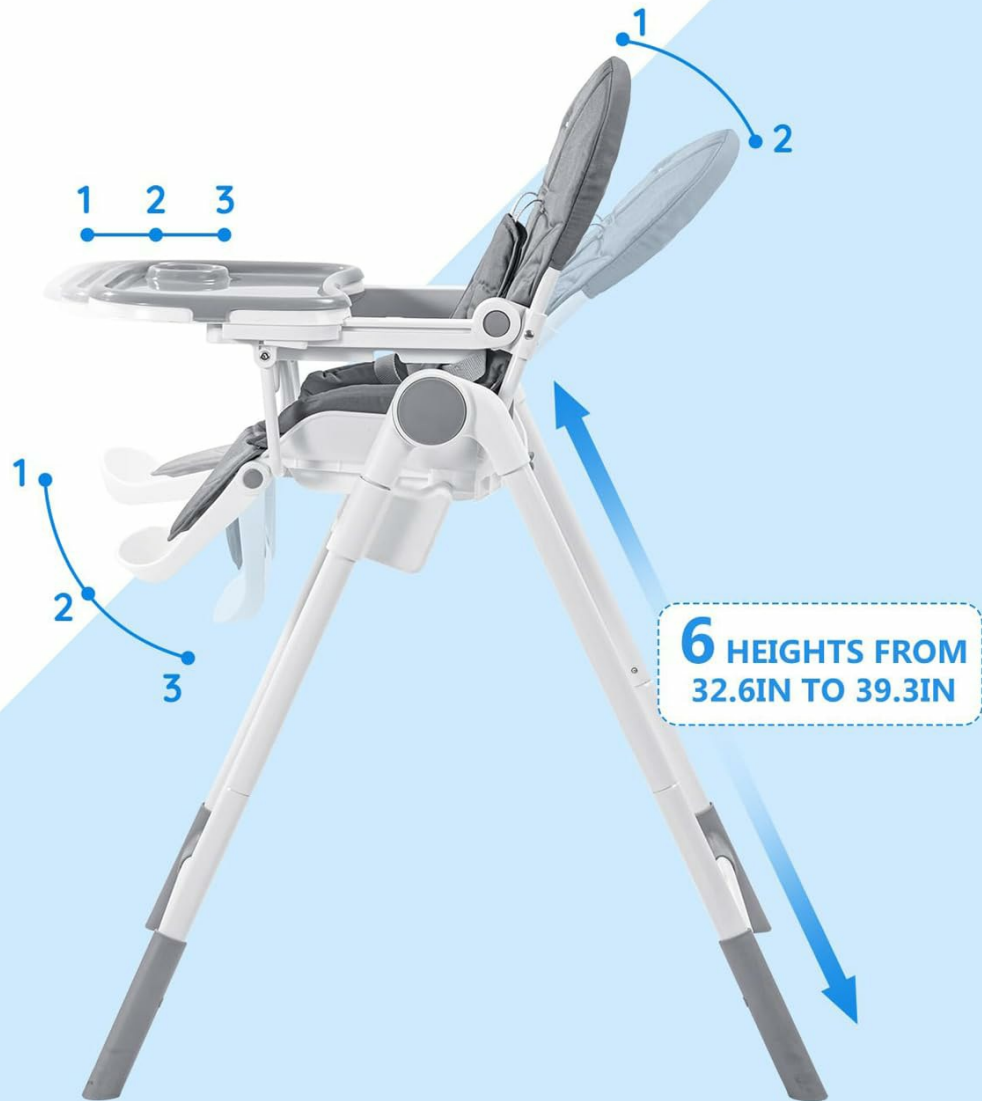


Figure 5.1: Illustration of the 6 adjustable height options and 2-position backrest.

4-IN-1 BABY HIGH CHAIR



Figure 5.2: Visual guide for adjusting the highchair to six different height levels.

SIX-POSITION HEIGHT

Six-position height can match different height and type of table or counter



Figure 5.3: Illustration of the two available seat recline positions for comfort.



Figure 5.4: Guide to adjusting the footrest to one of its three positions.

5.2 Tray Adjustment

The highchair features a detachable double tray that can be adjusted to three positions to accommodate your child's size and growth. Simply slide the tray forward or backward to the desired position. To remove, unlatch the tray from the armrests.



TWO-POSITION SEAT RECLINE

Two-position seat recline for baby relax or snoozing

Figure 5.5: The three-position tray system, suitable for different stages of growth.

5.3 Using the Wheels

The detachable 360° wheels allow for smooth movement of the highchair from one place to another. To lock the wheels and prevent movement, engage the locking gear on each wheel. Ensure all wheels are locked when the highchair is in use with a child.

Detachable 360° wheels

The detachable wheels can help you smoothly move it from place to place



Figure 5.6: Close-up of the detachable 360° wheel with its locking gear.

5.4 4-in-1 Design Configurations

The Sejoy Highchair offers versatile functionality, transforming to meet various needs:

- **Full Size High Chair:** Standard configuration for feeding.
- **Small Dining Chair:** Can be used at a lower height for toddlers to sit at a dining table.
- **Sleeping Chair:** Utilize the recline function for a comfortable resting position.
- **Toddler Chair:** Remove the tray for independent seating.

4

IN-1 Design Baby High Chair



Full size high chair



Small dining chair



Skid row with wheels



2-position backrest

Figure 5.7: The 4-in-1 design showcasing different usage modes.

THREE-POSITION TRAYS

Three-position trays are suitable for different stage of baby's growth



Figure 5.8: Visual representation of the high chair's versatility in different modes.

5.5 Quick Folding Design

For convenient storage and transportation, the highchair features a quick folding design. It can be folded away in seconds when not in use, saving space. Refer to the folding mechanism instructions for proper operation.

QUICK FOLDING DESIGN

Convenient for storage & transportation



Figure 5.9: The quick folding design, ideal for compact storage and portability.



THREE-POSITION FOOTREST

Three-position footrest allows your baby's legs to get the most comfortable rest

6. MAINTENANCE AND CLEANING

Regular cleaning and maintenance will ensure the longevity and hygiene of your Sejoy Highchair.

- **Tray Cleaning:** The removable BPA-free plastic tray can be easily detached for thorough cleaning. Wash with warm soapy water or wipe with a damp cloth.
- **Seat Fabric:** The seat fabric can be removed for deep cleaning. Refer to the care label on the fabric for specific washing instructions. Typically, a damp cloth with mild soap is sufficient for spot cleaning.
- **Frame Cleaning:** Wipe down the plastic and metal parts of the frame with a damp cloth and mild detergent. Dry thoroughly.
- **Harness:** Clean the five-point safety harness straps with a damp cloth and mild soap. Ensure they are completely dry before re-using.
- **Regular Inspection:** Periodically check all parts for wear, damage, or loose connections. Ensure all locking mechanisms function correctly. Do not use the highchair if any part is damaged.



Figure 6.1: The removable tray is designed for easy cleaning.

7. TROUBLESHOOTING

If you encounter any issues with your Sejoy Highchair, please refer to the following common solutions:

Problem	Possible Cause	Solution
Highchair does not fold completely.	Folding mechanisms not fully disengaged or engaged correctly.	Ensure all release buttons are pressed simultaneously and the frame is guided smoothly. Check for any obstructions. Refer to Section 5.5.
Seat or tray feels wobbly.	Not properly secured or locked into place.	Verify that the seat unit and tray are fully clicked into their respective attachment points.
Wheels do not roll smoothly or lock.	Debris in wheels or locking mechanism not engaged/disengaged.	Clean any debris from the wheels. Ensure the locking gear is fully pushed down to lock or pulled up to unlock.
Harness is difficult to adjust or buckle.	Straps twisted or buckle mechanism obstructed.	Untwist straps and ensure no food or debris is blocking the buckle.

If the problem persists after attempting these solutions, please contact Sejoy customer service for further assistance.

8. SPECIFICATIONS

- **Product Dimensions:** 29.5 x 22.4 x 42 inches (74.9 x 56.9 x 106.7 cm)
- **Item Weight:** 16 pounds (7.26 kg)
- **Maximum Weight Recommendation:** 50 lbs (15 kg)
- **Material Type:** Plastic (PP, POM), Iron, Polyester
- **Color:** Grey
- **Batteries Required:** No
- **Portability:** Yes (Foldable with detachable wheels)

9. WARRANTY AND SUPPORT

Sejoy is committed to providing high-quality products and excellent customer service. If you have any questions regarding the installation, operation, or maintenance of your highchair, or if you encounter any issues, please do not hesitate to contact our after-sales service team.

For support, please visit the official Sejoy website or refer to the contact information provided with your purchase documentation. Please have your product model number (B0CKMSXYQ1) ready when contacting support.